



Water Treatment

WM.F SERIES

Flanged water meter



Main characteristics

- Woltmann water meter for potable cold and warm water. Equipped with a pulse emitter.
- Designed for specific applications such as water treatment and dosing systems. Not suitable for billing purposes.



Water Treatment

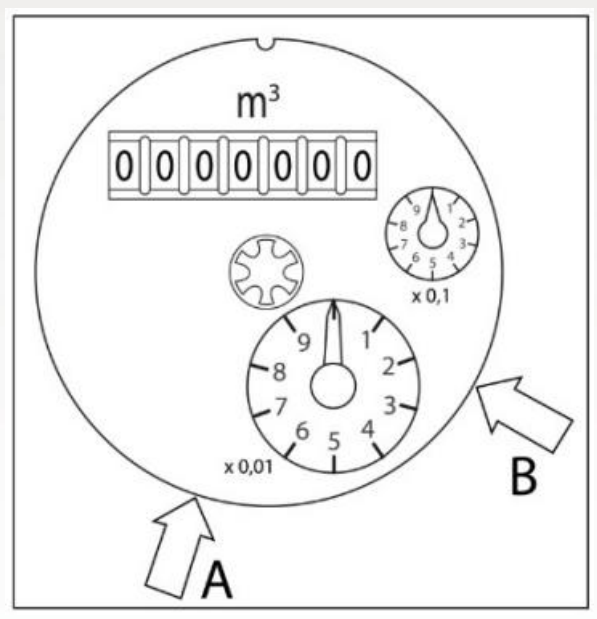
Performance

SIZE		PERMANENT FLOW Q3 (m3/h)	MAXIMUM FLOW Q4 (m3/h)	TRANSITIONAL FLOW Q2 (L/h)	MINIMUM FLOW Q1 (L/h)	WORKING PRESSURE (bar)	TEMPERATURE CLASS
(mm)	(inch)						
50	2"	40	50,00	800	500	16	T50/T90
65	2"1/2	63	78,75	1260	788	16	T50/T90
80	3"	63	78,75	1260	788	16	T50/T90
100	4"	100	125,00	2000	1250	16	T50/T90
125	5"	160	200,00	3200	2000	16	T50/T90
150	6"	250	312,50	5000	3125	16	T50/T90
200	8"	400	500,00	8000	5000	16	T50/T90

Reed Switch Technical Data

PULSE FREQUENCY RANGE K - (Lt/pulse)	SIZE	A	B
	50-65-80-100-125	0,1	1
	150-200	1	10

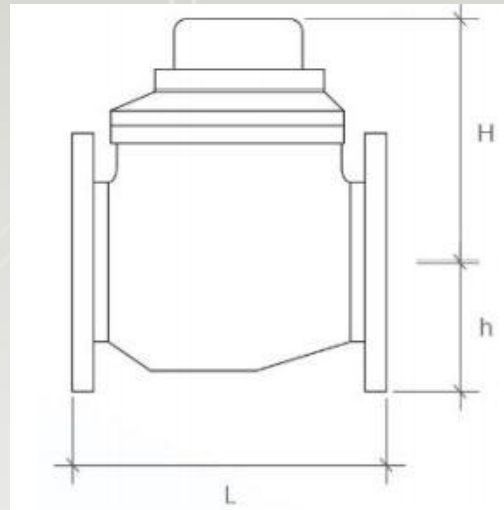
REED SWITCH TECHNICAL DATA	
Supply voltage	24 (V) 100 (Ma)
Closure	<=20 (m/s)
Protection resistance	100 (Ohm)
Wire length	2 (m)
Protecion Class	IP64
Temperature range	-10 / +90°C





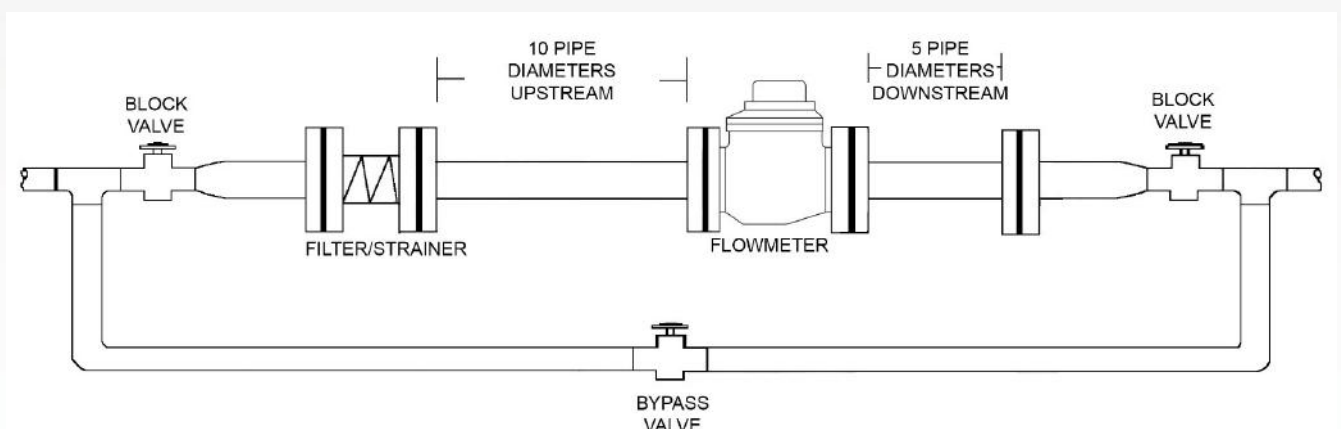
Water Treatment

Dimensional drawing



SIZE	(mm)	50	65	80	100	125	150	200
	(inch)	2"	2"1/2	3"	4"	5"	6"	8"
L (mm)		200	200	225	250	250	300	350
H (mm)		125	126	172	172	172	172	201
h (mm)		75	83	95	105	120	135	160

Installation recommendations



Postadress:

TRÄDGÅRDSTEKNIK AB
Helsingborgsvägen 578, Varalöv
262 96 ÄNGELHOLM

Telefon : 0431-222 90
Bg.nr : 5743-7980
Org.nr : 556409-6120

URL:

www.tradgardsteknik.se
E-postadress:
info@tradgardsteknik.se