

## Water cooling pump: P4504



### Application

1. Medium and small laser cold water machine
2. Communication base station, air conditioning and drainage
3. LED lamp, semiconductor refrigeration cycle
4. Machine tool equipment, medical equipment cycle cooling

### Product features

#### Conditions of using

Ambient temperature: -25 to 70°C

Medium temperature: 0-100°C

Medium: Clear water , antifreeze

Using place: Indoor

Theory: Centrifugal pump

Motor: DC Brushless Motor

Protection level: IP68

Service life: 20000 hours

Material: XYRON PPE

Structure: Single-stage

Weight: 0.18kg

Insulation level: E

Size: 76\*68\*54mm

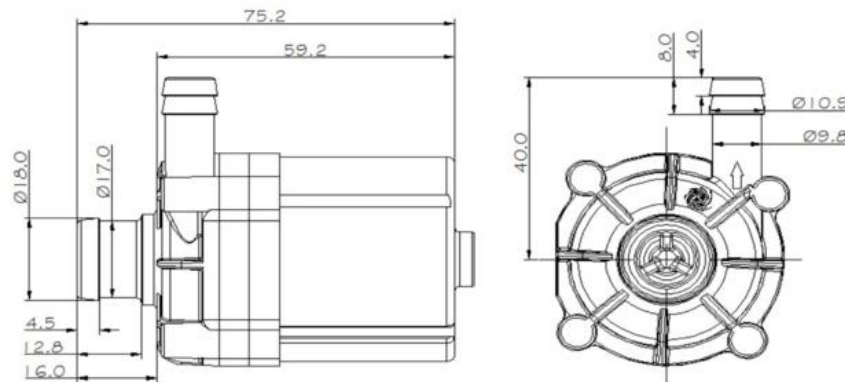
Certificate: CE/ISO9001

#### Matters needing attention

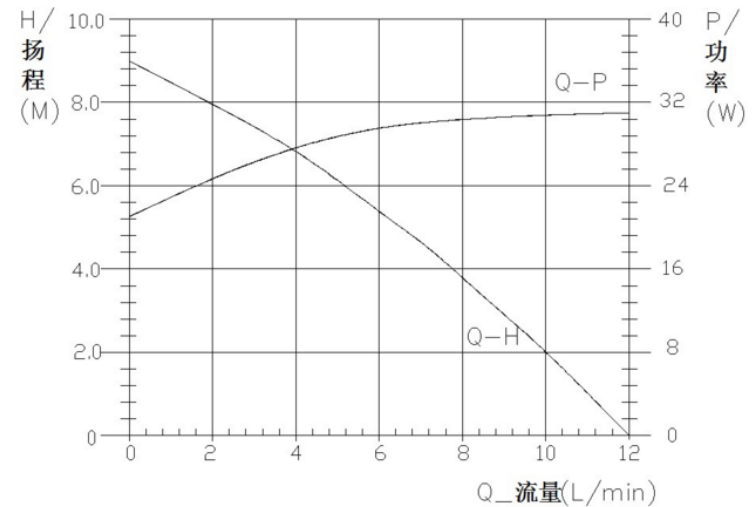
1. It is forbidden to work without water
2. Reverse polarity connection is not allowed
3. It is strictly prohibited to cycle liquid with impurities and magnetic particles(particles less than 0.3mm)
4. It is forbidden to use it in strong acid and strong alkali solution

## Water cooling pump: P4504

### Dimension



### Graph



### Specification

Rated Voltage	Voltage Range	Rated Current	Max Head	Max Flow	Rated Power	Max Noise
V	V	A	M	L/min	W	dB/(A)
12	8-20	1.4	6	10	17	≤40
24	12-30	1.3	9	12	30	≤45
48	28-55	0.7	9	12	35	≤48

## Hot water and cold water circulation pump:P4514



### Application

1. Medium and small laser cold water machine
2. Communication base station, air conditioning and drainage
3. LED lamp, semiconductor refrigeration cycle
4. Machine tool equipment, medical equipment cycle cooling

### Product features

#### Conditions of using

Ambient temperature: -25 to 70°C

Medium temperature: 0-100°C

Medium: Clear water

Using place: Indoor

Theory: Centrifugal pump

Motor: DC Brushless Motor

Protection level: IP55

Service life: 20000 hours

Material: XYRON PPE

Structure: Single-stage

Weight: 0.18kg

Insulation level: E

Size: 79\*68\*45mm

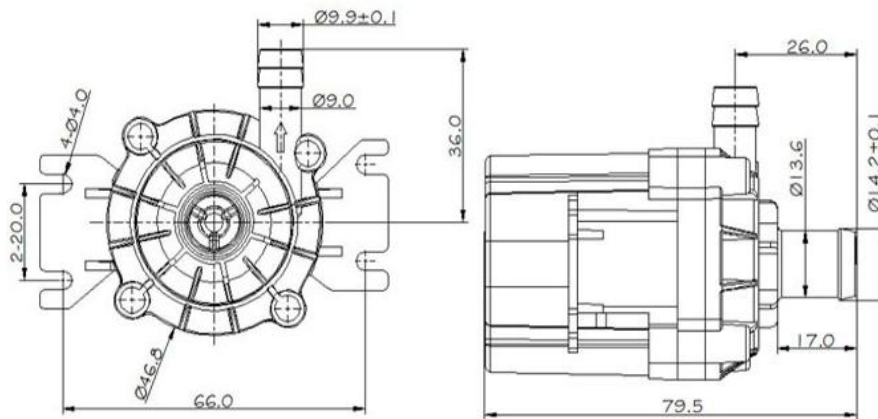
Certificate: CE/ISO9001

#### Matters needing attention

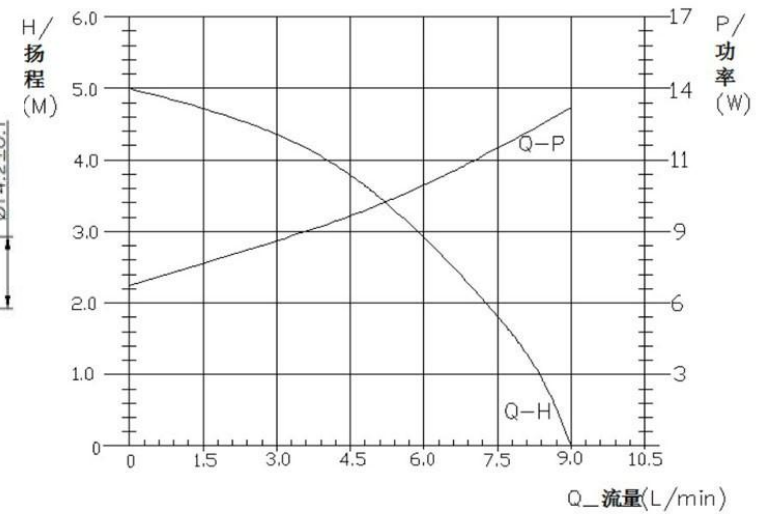
1. It is forbidden to work without water
2. Reverse polarity connection is not allowed
3. It is strictly prohibited to cycle liquid with impurities and magnetic particles(particles less than 0.3mm)
4. It is forbidden to use it in strong acid and strong alkali solution

# Hot water and cold water circulation pump:P4514

## Dimension



## Graph



## Specification

Rated Voltage	Voltage Range	Rated Current	Max Head	Max Flow	Rated Power	Max Noise
V	V	A	M	L/min	W	dB/(A)
12	8-20	0.65	3.5	7.5	8	≤45
24	12-30	0.55	5	9	13	≤45

## Water cooling pump: P6005



### Conditions of using

Ambient temperature: -25 to 70°C

Medium temperature: 0-100°C

Medium: Clear water , antifreeze

Using place: Indoor

### Application

1. Medium and small laser cold water machine
2. Cosmetic device, medical equipment
3. LED lamp, semiconductor refrigeration cycle
4. Machine booster and cycle cooling

### Product features

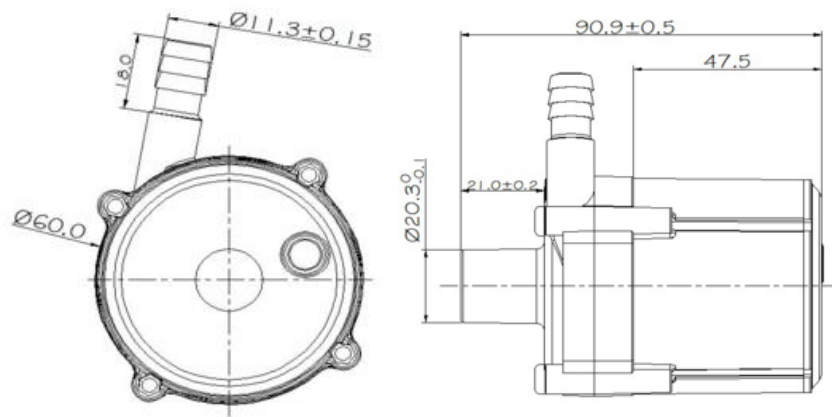
Theory: Centrifugal pump	Structure: Single-stage
Motor: DC Brushless Motor	Weight: 0.34kg
Protection level: IP68	Insulation level: E
Service life: 20000 hours	Size: 86.7*90*60mm
Material: XYRON PPE	Certificate: CE/ISO9001

### Matters needing attention

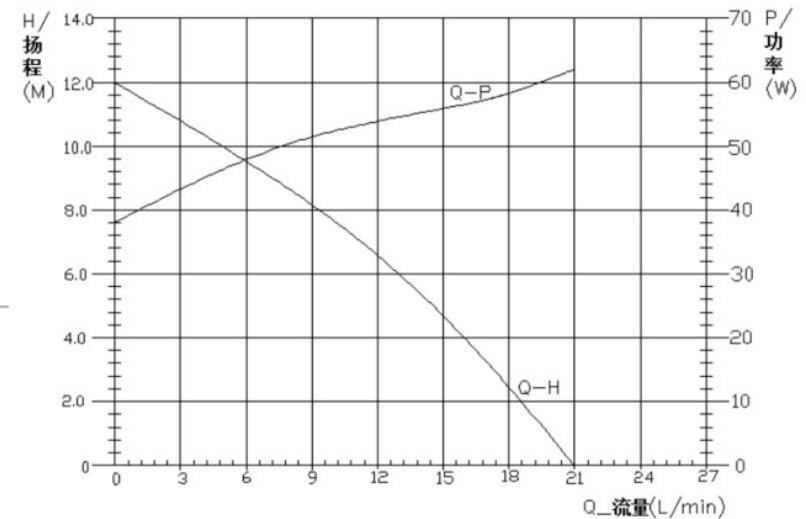
1. It is forbidden to work without water
2. Reverse polarity connection is not allowed
3. It is strictly prohibited to cycle liquid with impurities and magnetic particles(particles less than 0.3mm)
4. It is forbidden to use it in strong acid and strong alkali solution

## Water cooling pump: P6005

### Dimension



### Graph

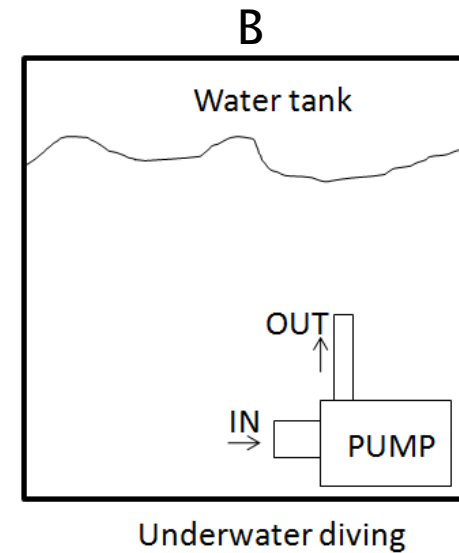
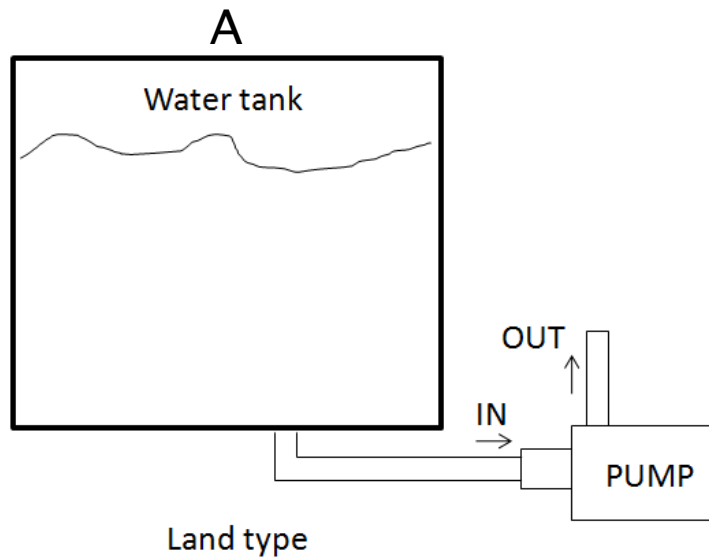


### Specification

Rated Voltage	Voltage Range	Rated Current	Max Head	Max Flow	Rated Power	Max Noise
V	V	A	M	L/min	W	dB/(A)
12	8-20	3	8	17	36	≤40
24	12-30	2.2	11	20	53	≤45
48	36-55	1.3	12	21	62	≤48

## Installation instruction:

1. Installation of water pump into the pipe system
2. The pump is locked and fixed.
3. Open system and began water, to ensure that the air in the pump have been expelled, in order to avoid dry-running when the water pump works
4. Connect the DC power to the water pump
5. The pump with the following A, B two installation methods, type B pump waterproof level must be IP68 (submersible level)



Trädgårdsteknik AB  
Helsingborgsvägen Varalöv  
262 96 ÄNGELHOLM  
Tel: 0431 -22290  
Fax: 0431 -22270  
Mail: [info@tradgardsteknik.se](mailto:info@tradgardsteknik.se)  
Webb: [www.tradgardsteknik.se](http://www.tradgardsteknik.se)