

TECHNICAL DATA

Product type	Reverse osmosis watermaker
Application	Seawater for nautical application
Production	200 l/h $\pm 15\%$ (53 gal/h $\pm 15\%$) @35 ppm e 25 °C
Membrane	4x Membrane SW-4021
Rejection	99,5% (nominal)
Power supply	12 V $\pm 15\%$ DC
	24 V $\pm 15\%$ DC
	48 V $\pm 15\%$ DC
	110 V $\pm 15\%$ AC - 60 Hz
	230 V $\pm 15\%$ AC - 50/60 Hz
	12 V-230V $\pm 15\%$ - 50/60 Hz 24 V-230 V $\pm 15\%$ - 50/60 Hz 48 V-230 V $\pm 15\%$ - 50/60 Hz
Absorption - Power required	33 A $\pm 15\%$ - 400 W $\pm 15\%$ (12 V)
	17 A $\pm 15\%$ - 400 W $\pm 15\%$ (24 V)
	11 A $\pm 15\%$ - 400 W $\pm 15\%$ (48 V)
	5,3 A $\pm 15\%$ - 600 W $\pm 15\%$ (110 V)
	2,5 A $\pm 15\%$ - 600 W $\pm 15\%$ (230 V)
Pumps	2x Rotary pump
Pressure pump	7-8 bar
Flow rate pumps	31,7 - 33,3 l/min
Water inlet temperature range	8 - 30 °C
Pre-filtration	2x 5micron filter 10"x2-1/2"
	2x Active carbon filter 2-7/8" x 9-3/4"
Weight	102 kg
Shipping dimensions	88x64x124 cm



HYDRAULIC CONNECTIONES

PUMP / FILTERS / NR VALVE

Seawater inlet	Hose barb DN20/22 - DN20
Seawater outlet	Hose barb DN20/22 - DN20

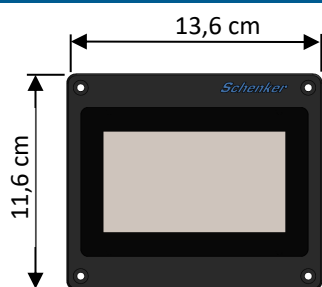
WATERMAKER

Seawater inlet	Hose barb DN20/22
Concentrated water outlet	Hose barb DN16
Fresh water outlet	Compressor fitting 1/4" for hose 6x8

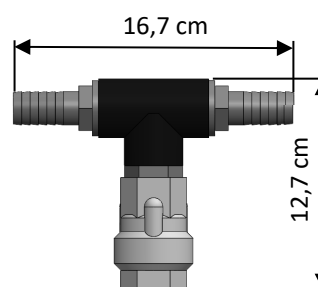
CONTROL SYSTEMS AND OPTIONAL DEVICES

Electronics	Touch
Automatic flushing	Standard
Safety control	High/low pressure
	Low voltage
Salinity monitoring	Standard

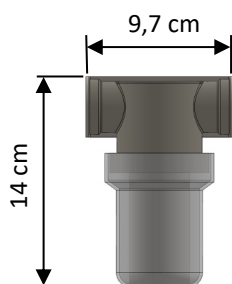
COMPONENTS



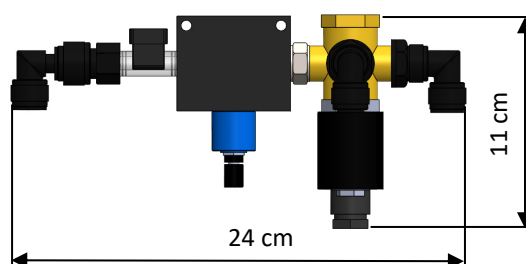
CONTROL PANEL
Depth: 3,2 cm
Cut dimensions: 11x8,8 cm



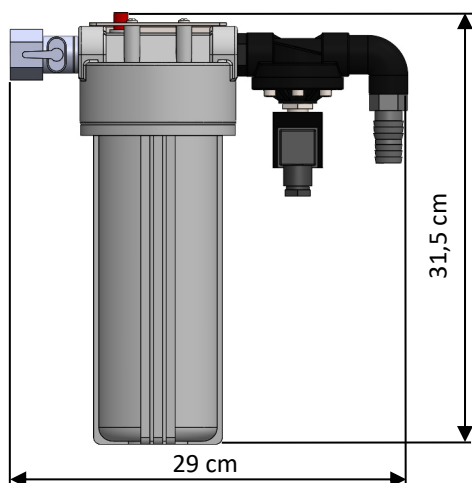
NON RETURN VALVE
Depth: 4,7 cm



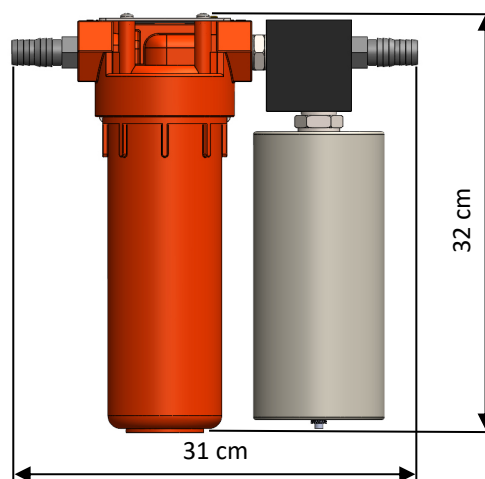
MESH FILTER GROUP
Depth: 9,1 cm



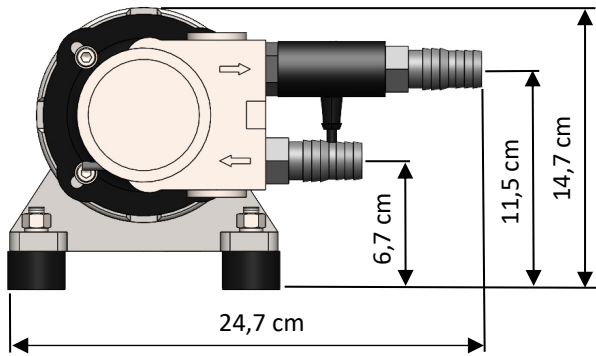
VALVOLA DEVIATRICE + FLUSSOMETRO
Depth: 11,5 cm



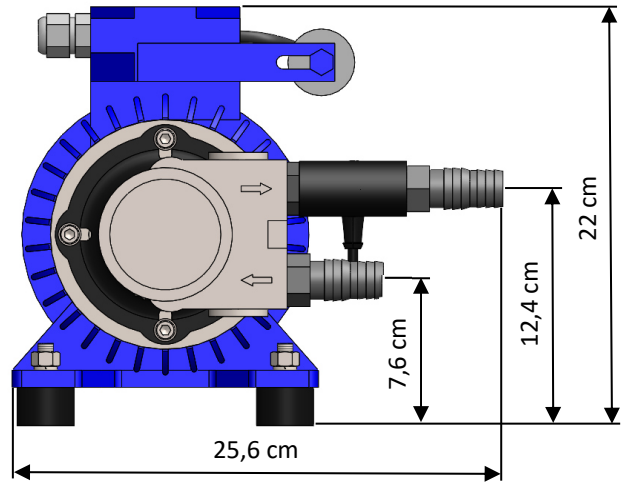
ACTIVE CARBON FILTER GROUP
Depth: 12,8 cm



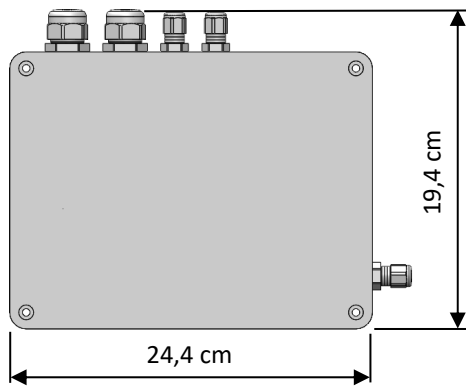
5 MICRON FILTER GROUP
Depth: 11,3 cm



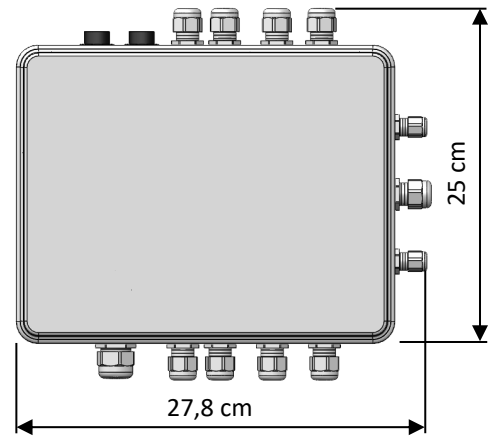
PUMP GROUP 12/24/48V
Depth: 37,1 cm - Weight: 10,1 kg



PUMP GROUP 230V
Depth: 40,4cm - Weight: 12kg



ELECTRICAL PUMP BOX
Depth: 10,6 cm

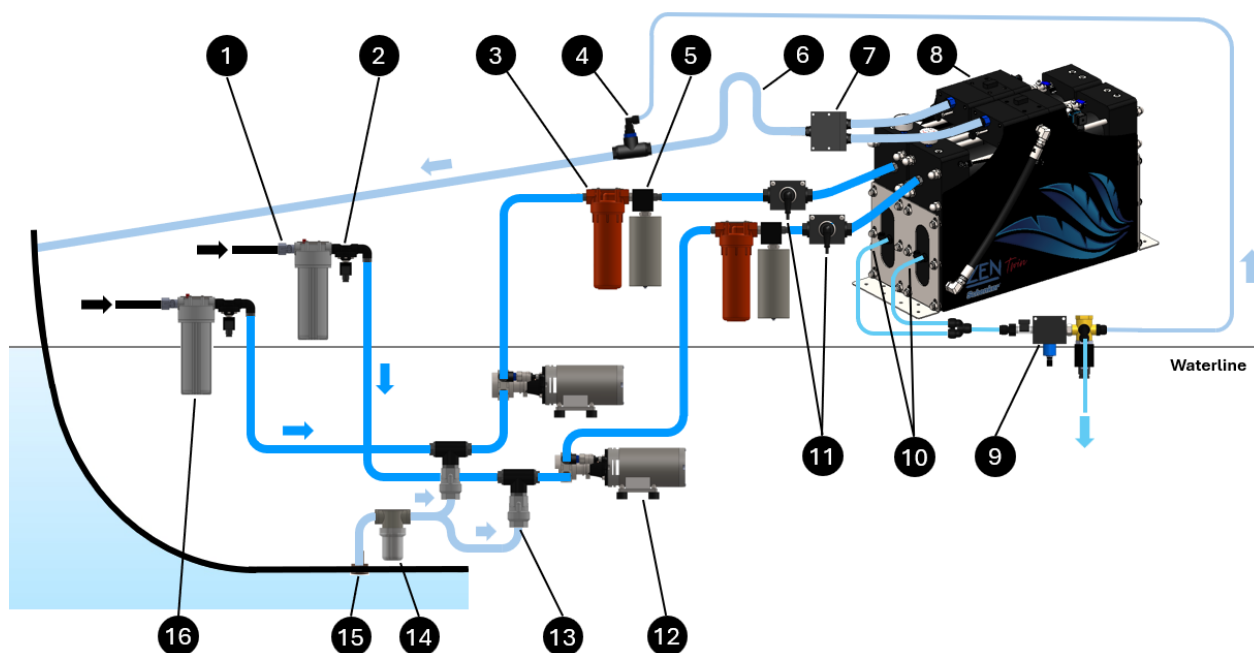


COMPUTER BOX
Depth: 10 cm



WATERMAKER
Depth: 39 cm - Weight: 85,3 kg

INSTALLATION SCHEME



- | | |
|----------------------------------|--|
| 1 Pressurized fresh water valves | 9 Diverting valve + flowmeter + Salinity probe |
| 2 Electrovalves | 10 Fresh water outlet |
| 3 5 micron filters | 11 Pressure trasducer |
| 4 Diverting valve discharge | 12 Pump |
| 5 Accumulator | 13 Non return valve |
| 6 Swan neck upwater - Discharge | 14 Mesh filter |
| 7 Exhaust valve | 15 Sea water inlet |
| 8 Watermaker | 16 Active carbon filter |

Postadress:

TRÄDGÅRDSTEKNIK AB
Helsingborgsvägen 578, Varalöv
262 96 ÄNGELHOLM

Telefon : 0431-222 90
Bg.nr : 5743-7980
Org.nr : 556409-6120

URL:

www.tradgardsteknik.se
E-postadress:
info@tradgardsteknik.se