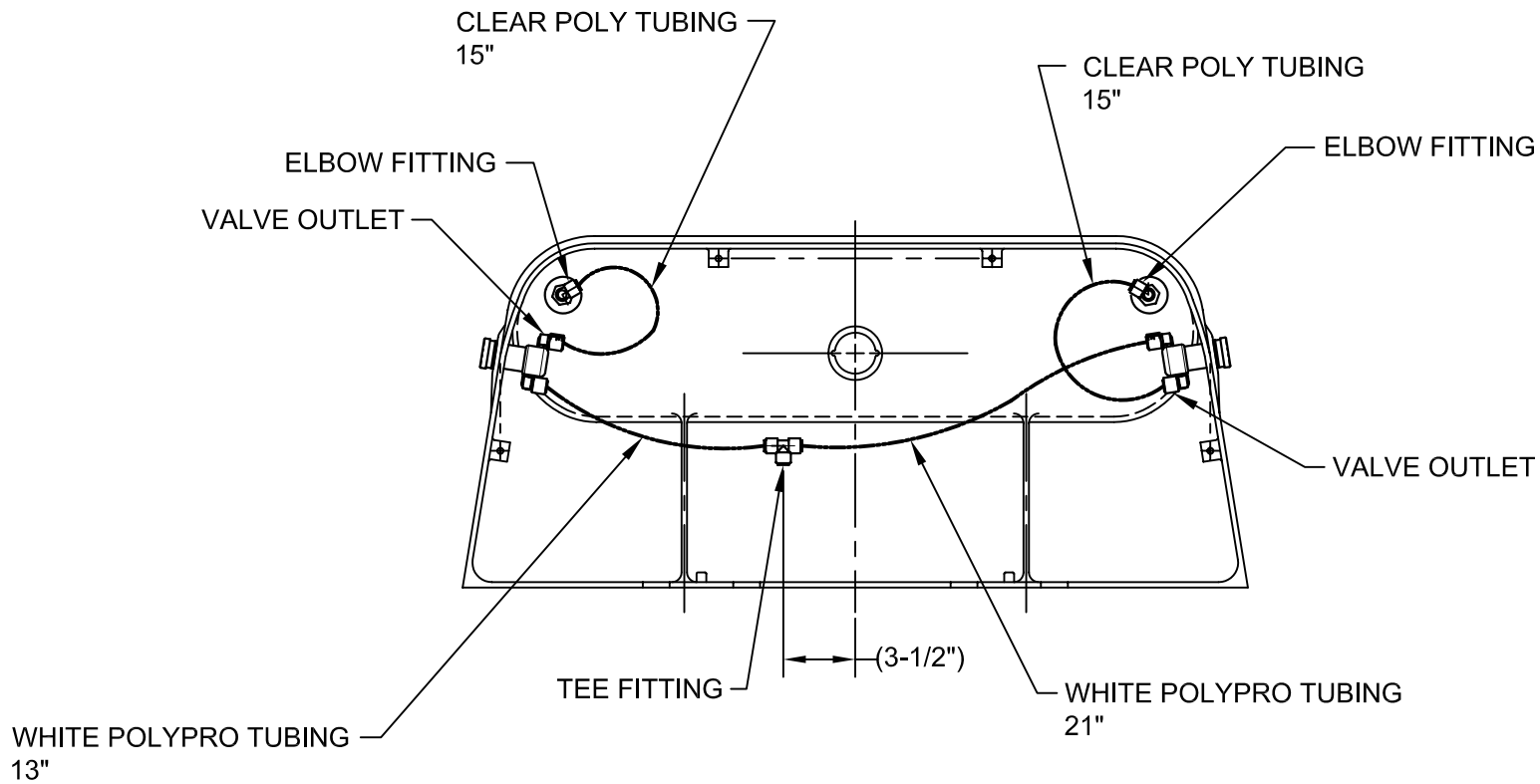


NOTES:

1. HOLD ROUGH-IN DIMENSIONS $\pm 1/4"$ (6.4mm).
2. WHEN INSTALLING THIS UNIT, LOCAL, STATE, OR FEDERAL CODES SHOULD BE ADHERED TO. FOR INSTALLATION HEIGHTS OTHER THAN SHOWN, DIMENSIONS MARKED (*) MUST BE ADJUSTED ACCORDINGLY.
3. REFER TO 5874/VRK5874 OPERATION AND MAINTENANCE MANUAL FOR PUSH BUTTON AND VALVE INSTALLATION/MAINTENANCE INSTRUCTONS.

| | | | |
|-----------|----------------|---|--|
| | | 1455 KLEPPE LANE SPARKS, NEVADA 89431 (775) 359-4712 FAX (755) 359-7424 E-MAIL: HAWS@HAWS.CO.COM WEBSITE: WWW.HAWS.CO.COM | |
| | | ECN NO. REVISED PER BY: ECN: 4603 HM | MODEL(S) 1431 |
| DRAWN: PM | DATE: 09/20/00 | CHKD.: | DRAWING NO. REV 14819A00 12 |
| APPROVED: | DATE: | SCALE: 1:10 | DRAWING TYPE: INSTALLATION SIZE: A SHEET 1 OF 2 |

4. CONNECT WHITE "POLYPROPYLENE" TUBING ON PRESSURE SIDE (INLET) OF VALVE.
5. CONNECT CLEAR "POLYETHYLENE" TUBING ON FREE FLOW SIDE (VALVE TO BUBBLER HEAD) ONLY.



| | | | |
|-----------|----------------|---|--------------------------------|
| | | 1455 KLEPPE LANE SPARKS, NEVADA 89431 (775) 359-4712 FAX (755) 359-7424 E-MAIL: HAWS@HAWS.CO.COM WEBSITE: WWW.HAWS.CO.COM | |
| | | ECN NO. REVISED PER BY: ECN: 4603 HM | MODEL(S) 1431 |
| DRAWN: PM | DATE: 09/20/00 | CHKD: | DRAWING NO. REV 14819A00 12 |
| APPROVED: | DATE: | SCALE: 1:10 DRAWING TYPE: INSTALLATION | SIZE: A SHEET 2 OF 2 |