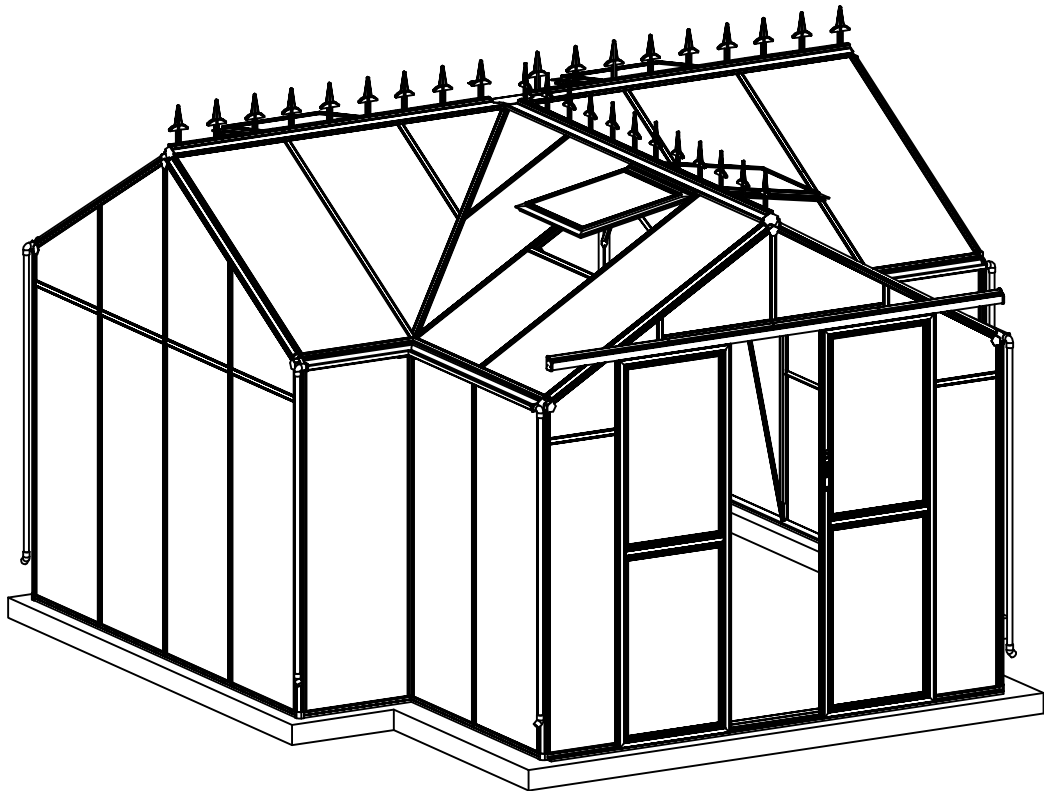


ORANGERY GREENHOUSE
Assembly Instructions

www.ttshop.se



MODEL:GM34606

PRODUCT SIZE(LxWxH):381x377x250cm

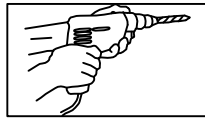
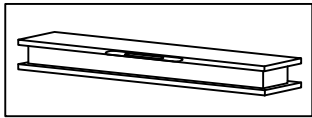
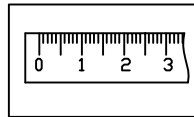
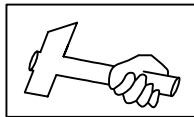
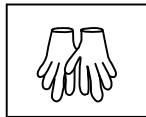
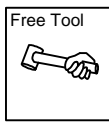
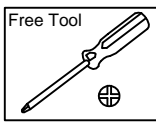
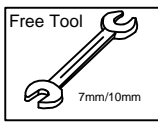
PLEASE READ CAREFULLY BEFORE ASSEMBLY

CONTENTS

1. Assembly Advice	Page 1
2. Product Features	Page 1 - 3
3. Parts List	Page 4 - 7
4. Overview of Front Wall	Page 8
Overview of Rear Wall	Page 9
Overview of Sides and Roof	Page 10 - 11
Overview of Roof Vents	Page 12
Overview of Doors	Page 13
5. Roof Vent Assembly	Page 14 - 17
6. Door Assembly	Page 18 - 24
7. Base Assembly	Page 25 - 27
8. Framework Assembly	Page 28 - 41
9. Glazing	Page 42 - 52

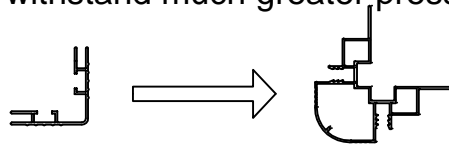
Assembly and Maintenance Advice

1. For safety purposes, we strongly recommend that this product is assembled by at least two people.
2. Some components have sharp metal edges. Please be careful when handling metal components. Please wear gloves, shoes and safety goggles during assembly.
3. Lay all of the components on a soft carpet or blanket to avoid any scratches or damages.
4. DO NOT climb or stand on the roof. Heavy articles should not be leaned against the greenhouse.
5. Keep the roof and gutter clear of snow, dirt & leaves. Allowing snow to build up on the roof may damage the product.
6. Unlike steel, if the paint finish is scratched this will not harm the aluminium underneath.
7. When your product needs cleaning, use a mild detergent solution and rinse with cold clean water. Do not use acetone, abrasive cleaners or strong detergents to clean the panels.

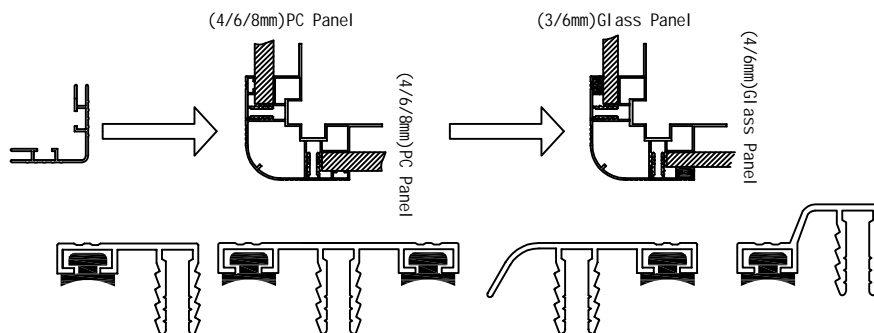


Functions and Features:

1. Compared with traditional greenhouses this exciting new product features many significant improvements. The hollow box profile aluminium framing is much stronger than other greenhouses and it can withstand much greater pressure.

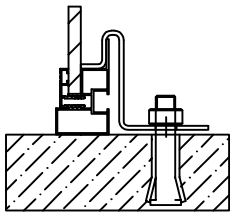


2. A great improvement for this new greenhouse is bar capping which is a neater and stronger way to retain the glazing. Another benefit is that these greenhouses can be glazed with glass or polycarbonate of varying thicknesses.

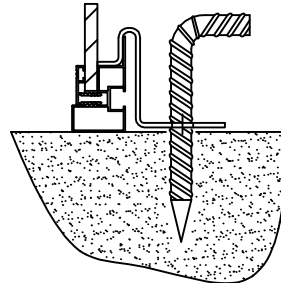


* If you are glazing this greenhouse with glass you will need to slide the rubber gaskets into the bar capping.

3. Base anchor brackets are included as standard with expanding bolts to ensure a secure fixing into concrete or paving. Alternatively, you can use the brackets to fix into a timber base with wood screws (not provided).

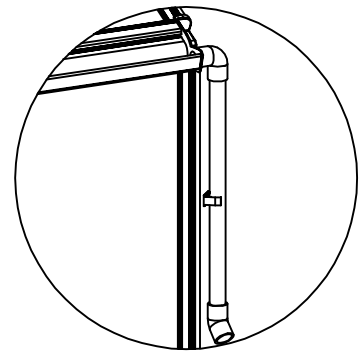


Expansion bolt
in concrete

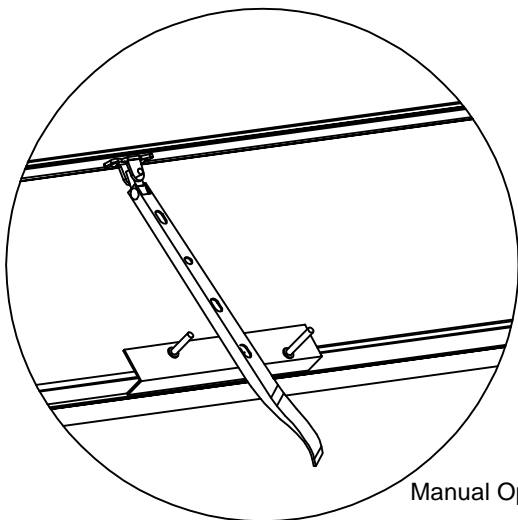


Steel pegs in soil

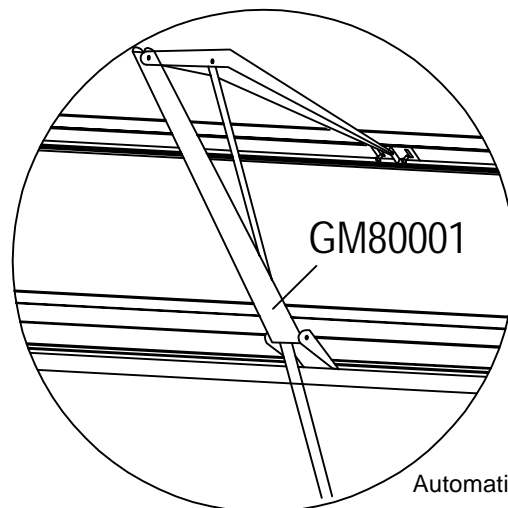
4. Our unique frame connectors make much stronger joints than conventional greenhouses.
5. The strong two part eaves beam includes an integral gutter. Downpipes are also included as standard so you can collect rainwater.



6. Manual window handles are included as standard with the roof vents. If required, automatic roof vent openers are available as an inexpensive optional extra.

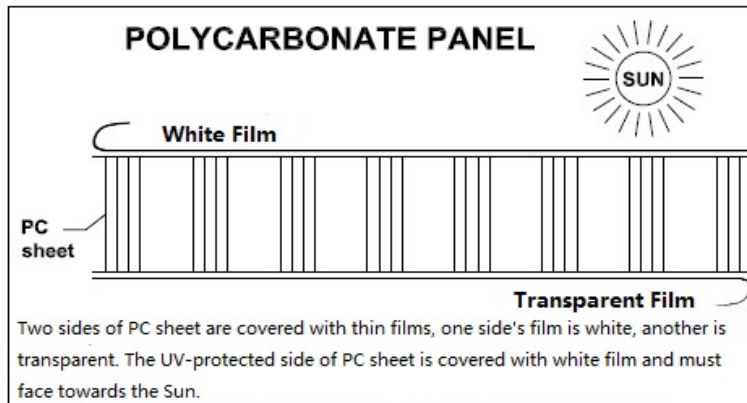


Manual Opener

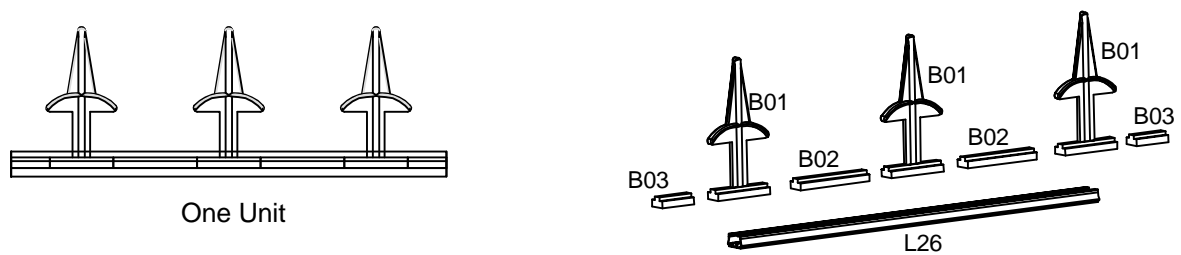


Automatic Opener

7. Remove approximately 2 inches of film from all sheet edges before installing and remove all film immediately after the construction is completed. Please ensure that the side with the white film faces outwards.

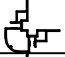

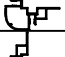
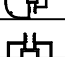
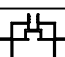
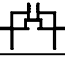
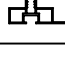


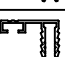

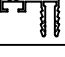

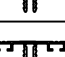
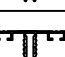







8. Decorative crestings are available as an optional extra. Each 2' wide glazing panel in the sides and roof requires one set. One set includes 3xB01, 2xB02, 2xB03 and 1xL26.


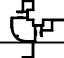

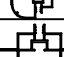
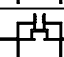
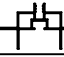
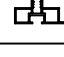

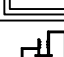




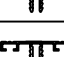
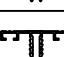






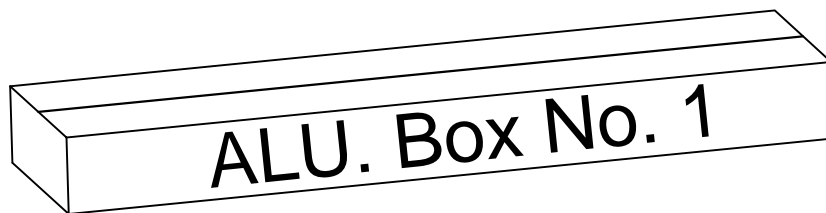
GM34606 (ALU. Box No. 1)

Front Assembly

PART	NO	QTY
	L01A	1
	L01B	1
	L01C	1
	L01D	1
	L02C	1
	L03E	1
	L03F	1
	L04A	2
	L05A	2
	L10	1
	L11A	4
	L11B	4
	L11D	2
	L11E	1
	L12C	1
	L12D	1
	L12F	1
	L12G	2
	L23	1
	L14	1














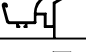
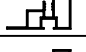


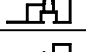
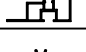



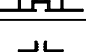
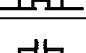
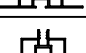
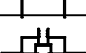
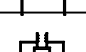
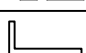
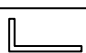
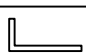
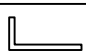
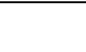
Rear Wall Assembly x 2pcs

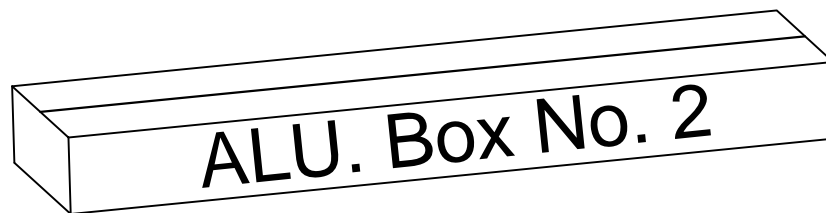
PART	NO	QTY
	L01A	2
	L01B	2
	L01C	2
	L01D	2
	L03C	2
	L03D	2
	L03G	2
	L04A	8
	L05A	4
	L05B	4
	L08C	2
	L11A	8
	L11B	8
	L11C	8
	L12C	2
	L12D	2
	L12E	2
	L12G	8
	L13	2



GM34606 (ALU. Box No. 2)



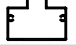




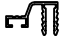
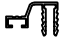
6 x 6 Section Assembly

PART	NO	QTY	PART	NO	QTY
	L06C	1		L22	11
	L06D	1		L22B	4
	L06E	1		L22C	2
	L07A	2		L24	2
	L07B	1		L25	2
	L07C	1		L27	1
	L07D	1			
	L07E	1			
	L08B	2			
	L08D	1			
	L08E	1			
	L08F	1			
	L08G	1			
	L02A	6			
	L02B	6			
	L02D	2			
	L02E	2			
	L02F	2			
	L02G	2			
	L03A	1			
	L03B	1			
	L04A	4			
	L05C	6			
	L05D	8			
	L05E	2			
	L05F	2			


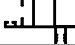

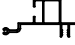




GM34506-T (ALU. Box No. 3)

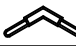






















Door Assembly

PART	NO	QTY
	L16A	8
	L16B	8
	L17	2
	L18A	2
	L18B	1
	L18C	1
	L18D	4
	L21C	8
	L21D	8













Roof Vents Assembly x 4pcs

PART	NO	QTY
	L15A	4
	L19A	8
	L19B	4
	L20	4
	L21A	8
	L21B	8

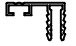
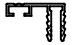
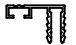














Parts

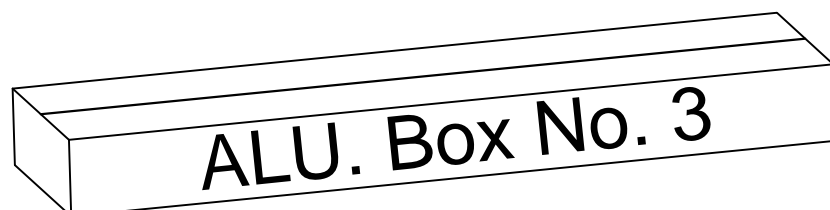
PART	NO	QTY
	A	9
	B	16
	C	8
	D	4
	J01	3
	J02R/L	3/3
	J03R/L	1/1
	J04	6
	J05	6
	J06	6
	J07	6
	J08	6
	W01	9
	W02	1
	W03	1
	W04	1
	W10	2
	W11	2
	W12	1
	W13	1
	W06	4
	W08	4
	W09	4

Parts

PART	NO	QTY
	W05	22
	S03 M8X60	22
	S04 M6X20	11
	S01 M6X10	294
	M01 M6	305
	S02 M8X30	5
	M02 M8	5
	Z01 Ø4X14	396
	Z02 Ø4X14D	40
	Z03 Ø4X10	9
	Z04 Ø4X40	9
	Z05 Ø5X25	2

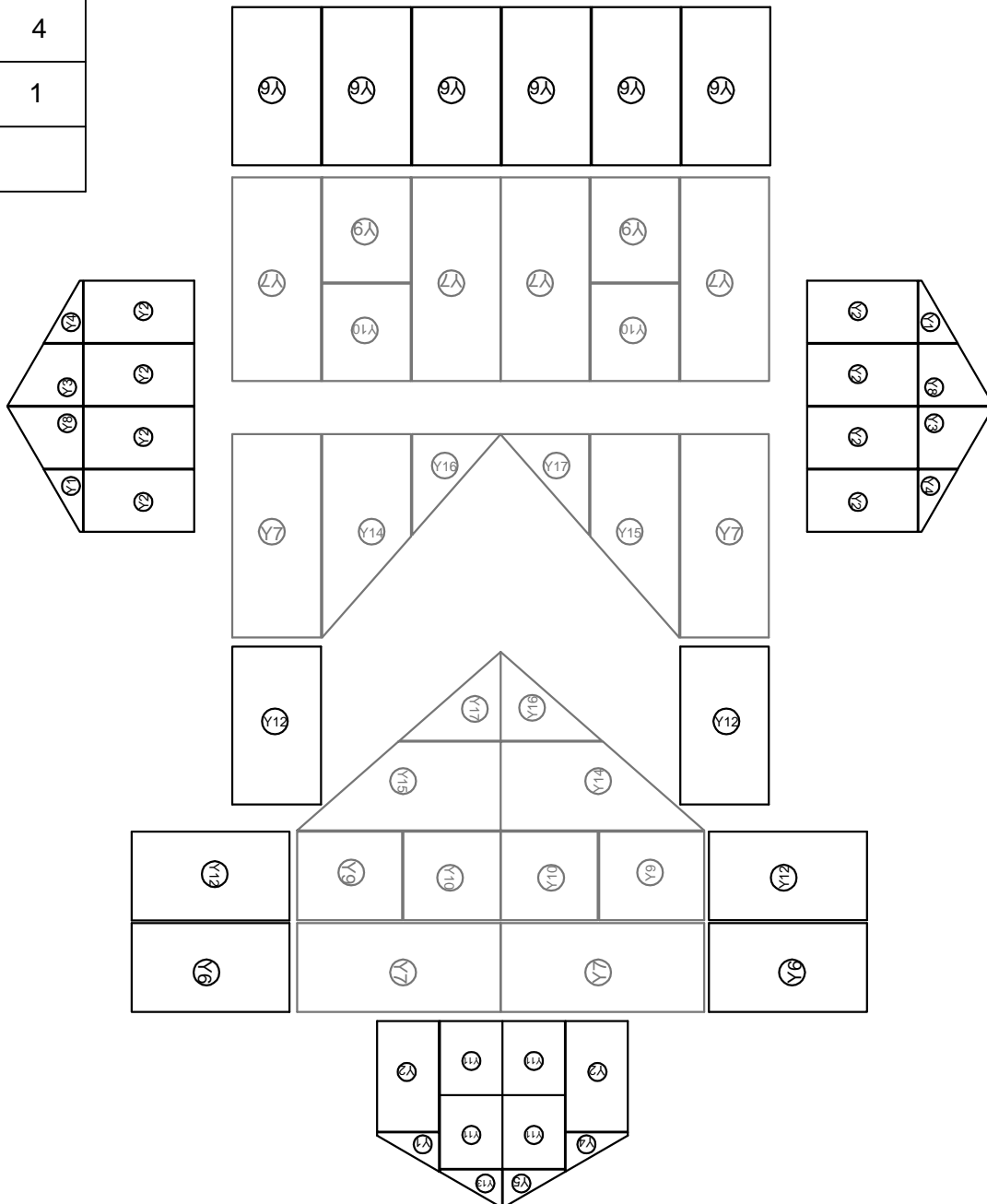
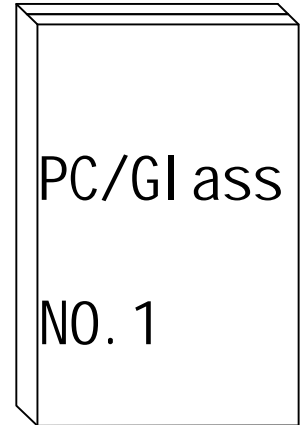
6x6 Section

PART	NO	QTY
	L11A	4
	L11C	8
	L11F	2
	L11G	2
	L11H	4
	L12A	7
	L12B	7
	L12G	4
	L12H	2
	L12I	2
	L12J	2
	L12K	2
	L09A	2
	L09B	1
	L09C	1
	L09D	1
	L09E	1



GM34606 (PC Box No. 1)

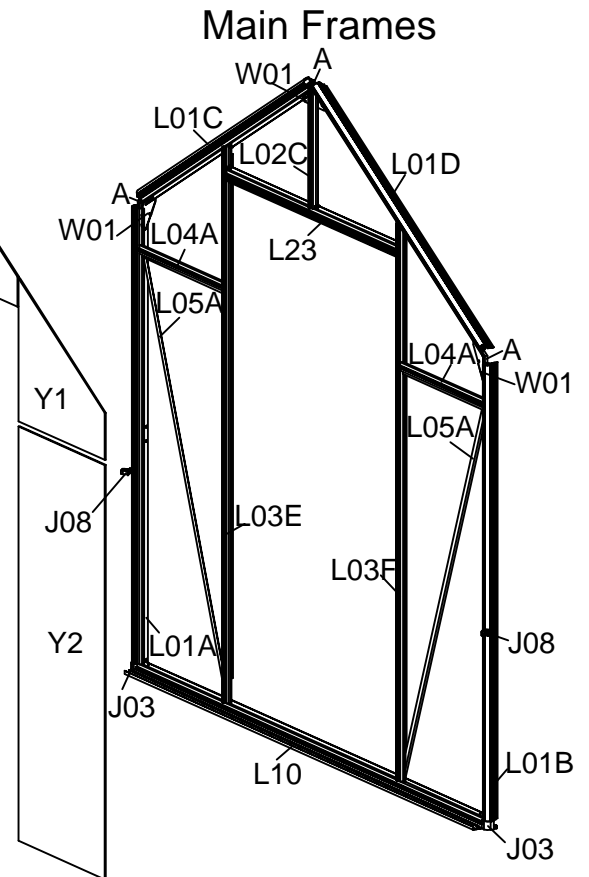
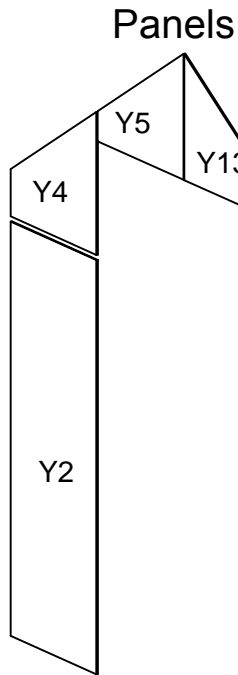
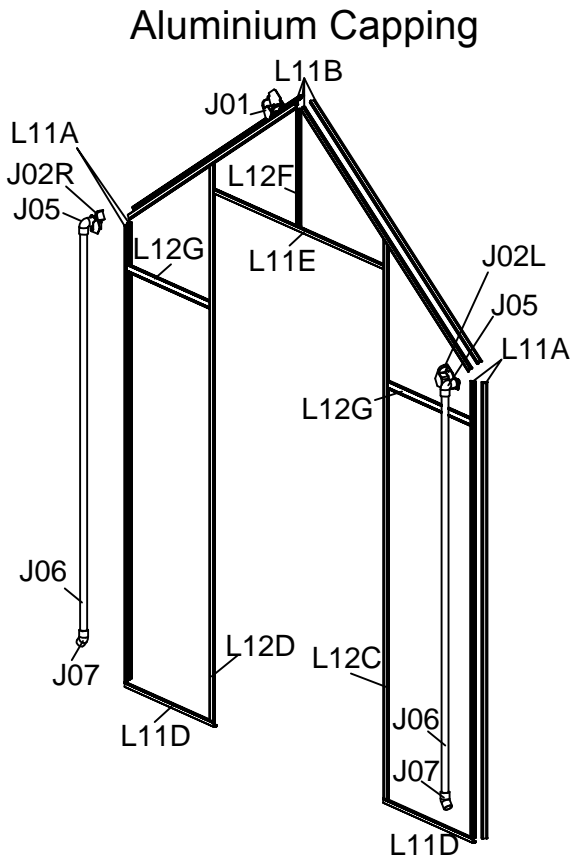
PART	NO	QTY	PART	NO	QTY
	Y1	3		Y7	8
	Y2	10		Y9	4
	Y3	2		Y10	4
	Y4	3		Y14	2
	Y5	1		Y15	2
	Y6	8		Y16	2
	Y8	2		Y17	2
	Y11	4	阳光板部分		
	Y12	4	玻璃部分		
	Y13	1			



PART	NO	QTY	PART	NO	QTY	PART	NO	QTY
	L01A	1		A	3		Y1	1
	L01B	1		J01	1		Y2	2
	L01C	1		J02R/L	1/1		Y4	1
	L01D	1		J04	2		Y5	1
	L02C	1		J05	2		Y13	1
	L03E	1		J06	2			
	L03F	1		J07	2			
	L04A	2		J08	2			
	L05A	2		W01	3			
	L10	1		W05	2			
	L11A	4		S03	2			
				M8X60				
	L11B	4		S01	31			
				M6X10				
	L11D	2		M01	31			
				M6				
	L11E	1		Z01	47			
				Ø4X14				
	L12C	1		Z02	6			
				Ø4X14D				
	L12D	1						
	L12F	1						
	L12G	2						
	L23	1						

Front Wall Assembly

Overview

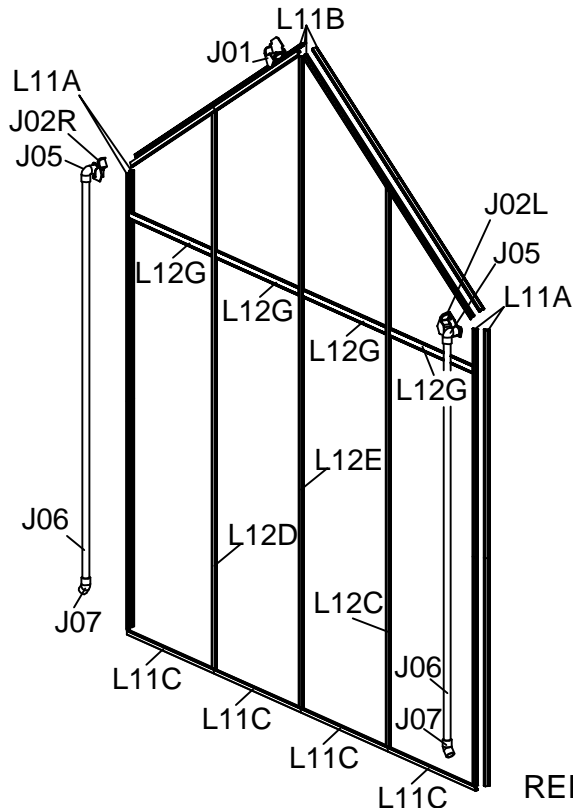


PART	NO	QTY	PART	NO	QTY	PART	NO	QTY
	L01A	2		A	6		Y1	2
	L01B	2		J01	2		Y2	8
	L01C	2		J02R/L	2/2		Y4	2
	L01D	2		J04	4		Y3	2
	L03C	2		J05	4		Y8	2
	L03D	2		J06	4			
	L03G	2		J07	4			
	L04A	8		J08	4			
	L05A	4		W01	6			
	L05B	4		W05	8			
	L08C	2		S03	8			
				M8X60				
	L11A	8		S01	74			
				M6X10				
	L11B	8		M01	74			
				M6				
	L11C	8		Z01	108			
				Ø4X14				
	L12C	2		Z02	12			
				Ø4X14D				
	L12D	2						
	L12E	2						
	L12G	8						
	L13	2						

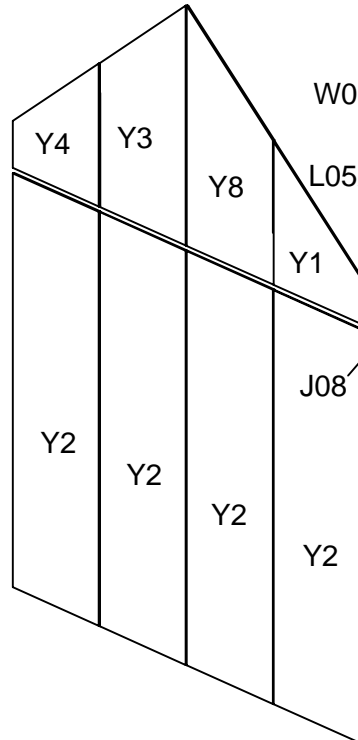
Rear Wall Assembly x2pcs

Overview

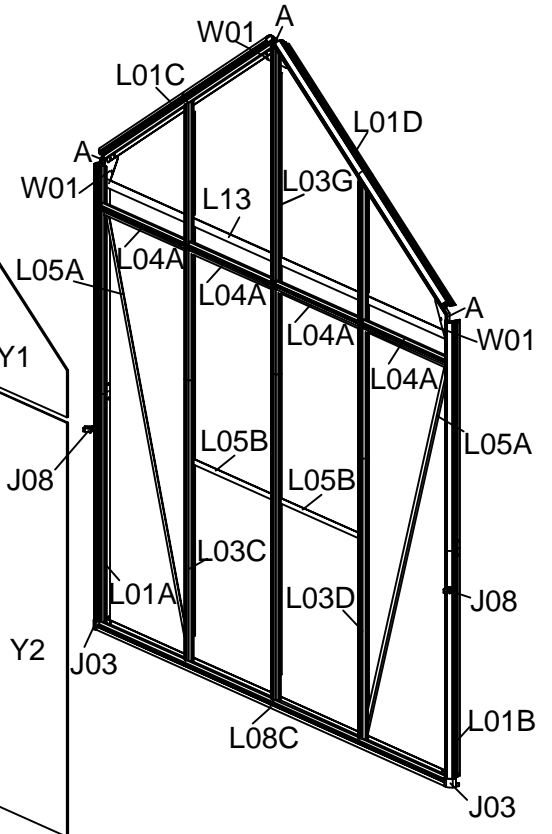
Aluminium Capping









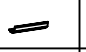
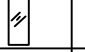



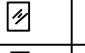

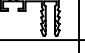

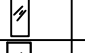



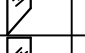

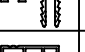



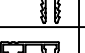

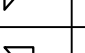

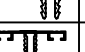
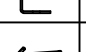
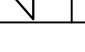
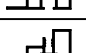
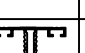

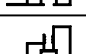
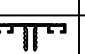

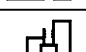
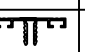


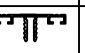


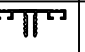


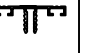


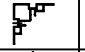

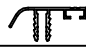








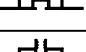
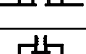
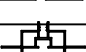
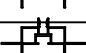
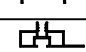
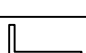
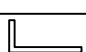
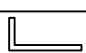
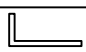
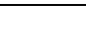

Panels



Main Frames

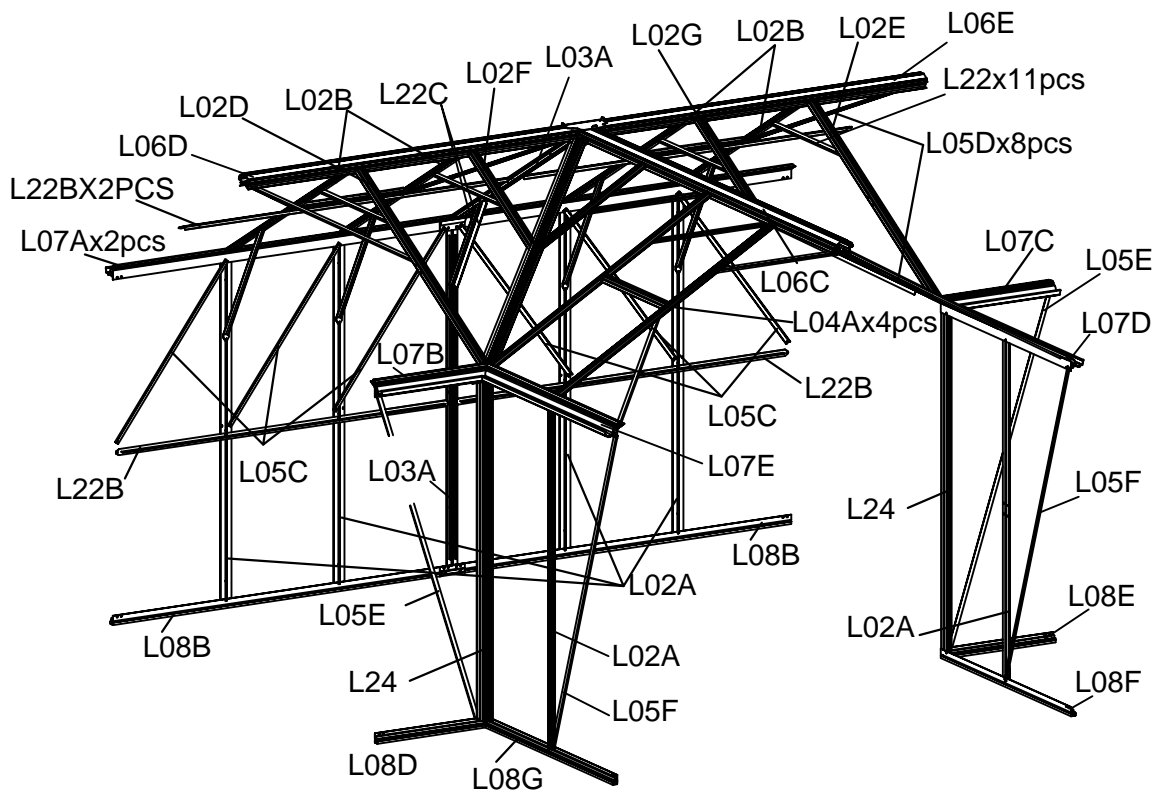
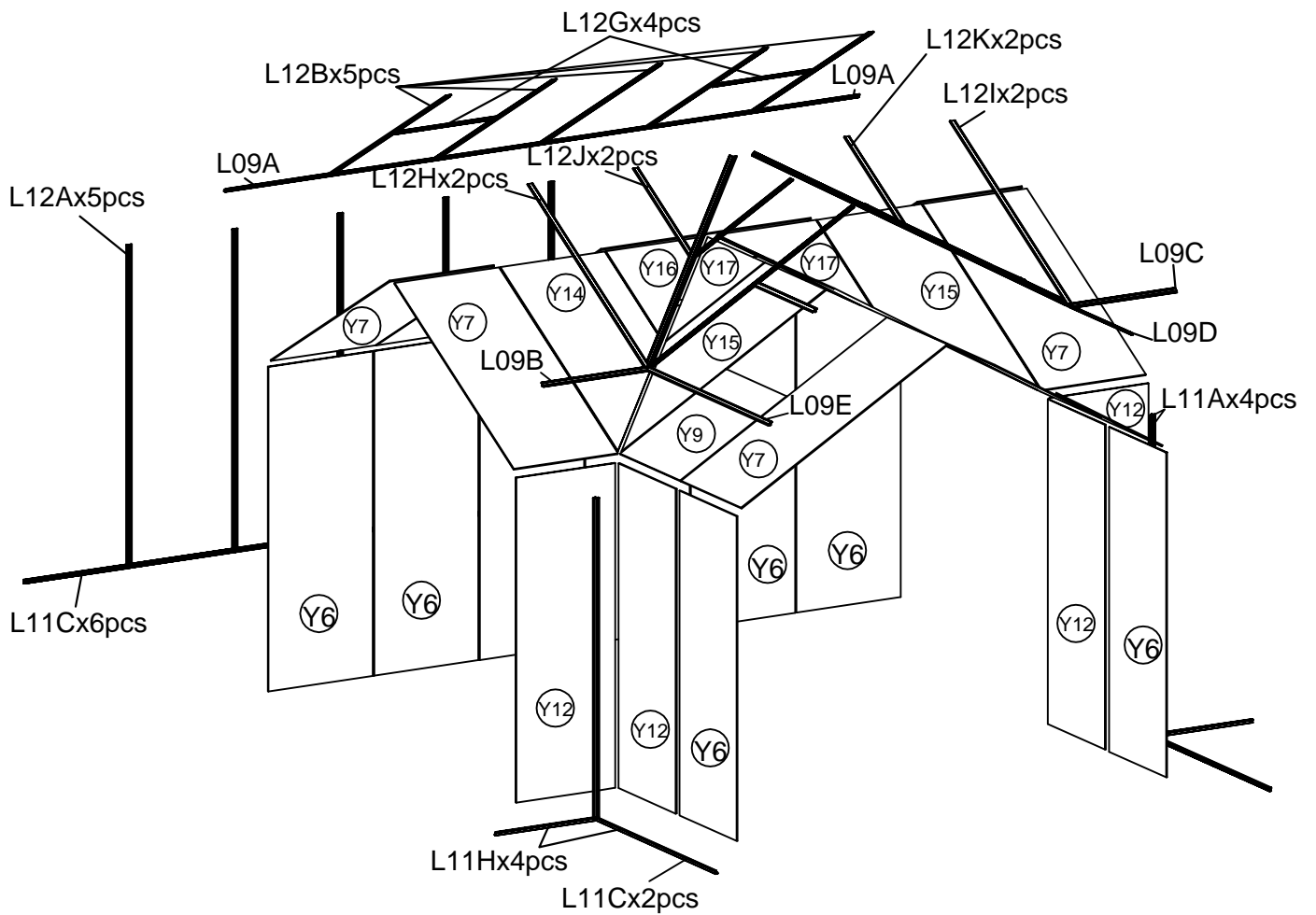









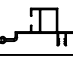

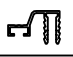


REPEAT THE SAME ASSEMBLY FOR ANOTHER SIDE.

PART	NO	QTY	PART	NO	QTY	PART	NO	QTY	PART	NO	QTY
	L06C	1		L22	11		W02	1		Y6	8
	L06D	1		L22B	4		W03	1		Y7	8
	L06E	1		L22C	2		W04	1		Y9	4
	L07A	2		L11A	4		W10	2		Y12	4
	L07B	1		L11C	8		W11	2		Y14	2
	L07C	1		L11F	2		W12	1		Y15	2
	L07D	1		L11G	2		W13	1		Y16	2
	L07E	1		L11H	4		W05	12		Y17	2
	L08B	2		L12A	7		W08	4			
	L08D	1		L12B	7		W09	4			
	L08E	1		L12G	4		S03 M8X60	12			
	L08F	1		L12H	2		S04 M6X20	10			
	L08G	1		L12I	2		S01 M6X10	180			
	L09A	2		L12J	2		M01 M6	190			
	L09B	1		L12K	2		Z01 Ø4X14	170			
	L09C	1		L24	2		Z05 Ø5X25	2			
	L09D	1		L25	2						
	L09E	1		L27	1						
	L02A	6									
	L02B	6									
	L02D	2									
	L02E	2									
	L02F	2									
	L02G	2									
	L03A	1									
	L03B	1									
	L04A	4									
	L05C	6									
	L05D	8									
	L05E	2									
	L05F	2									

Sides and Roof Assembly

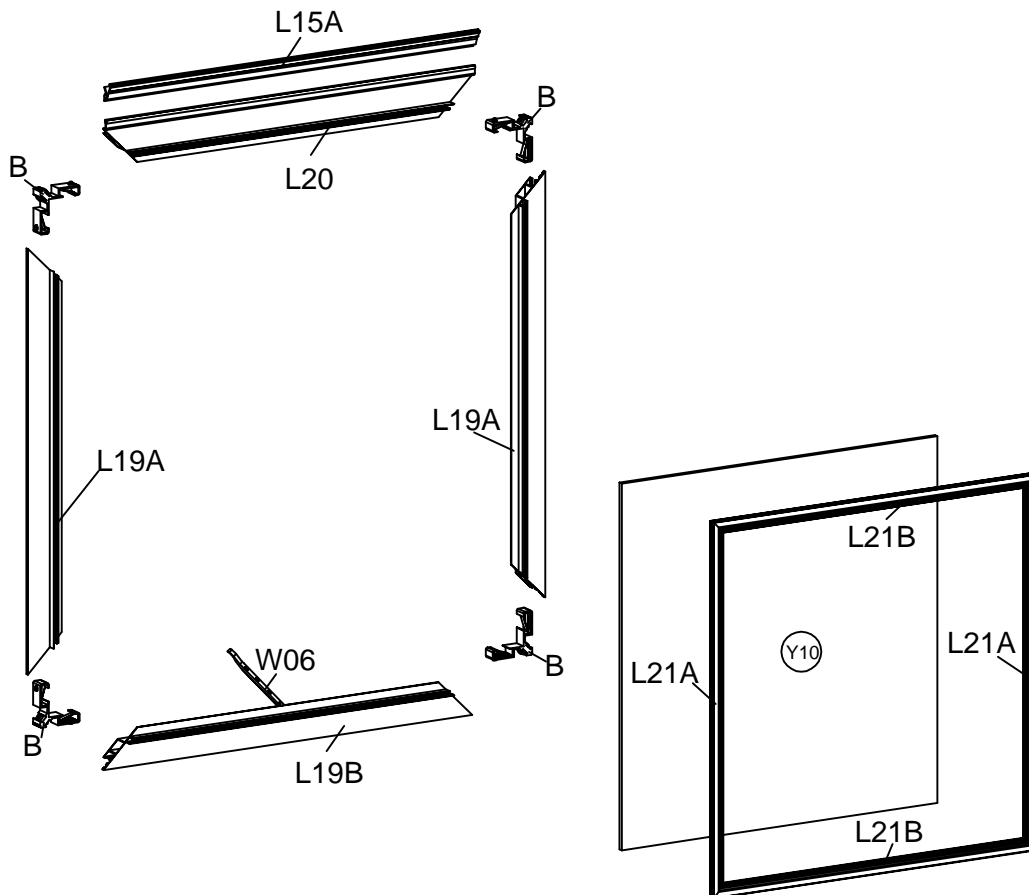
Overview of Sides and Roof




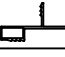
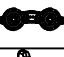









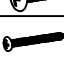


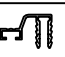



PART	NO	QTY	PART	NO	QTY	PART	NO	QTY
	L15A	1		B	4		Y10	1
	L19A	2		Z01 Ø4X14	8			
	L19B	1		Z02 Ø4X14D	4			
	L20	1		Z03 Ø4X10	2			
	L21A	2		W06	1			
	L21B	2						

Roof Vent Assembly

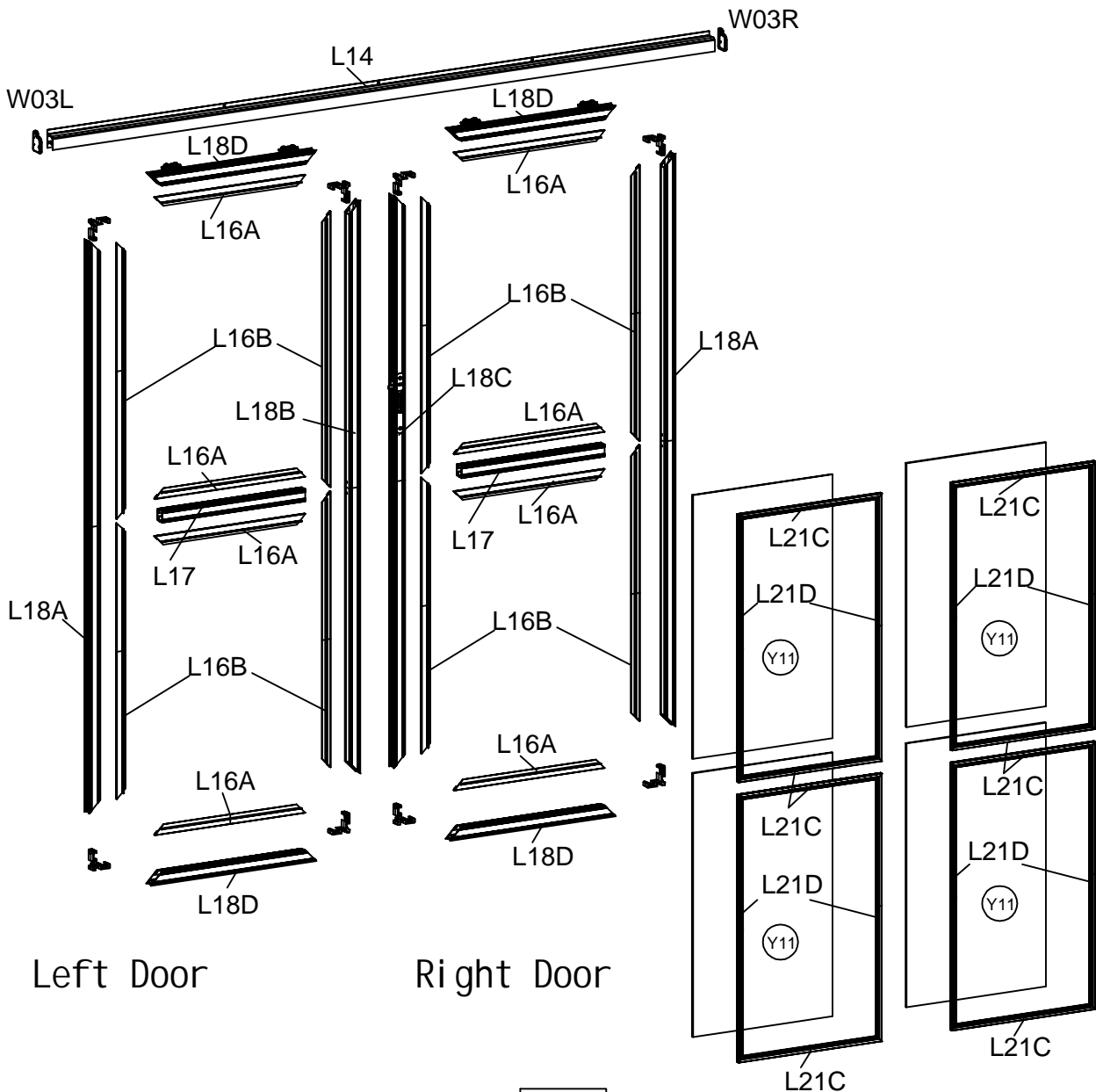
Overview of Roof Vents








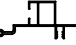

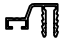
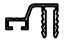



PART	NO	QTY	PART	NO	QTY	PART	NO	QTY
	L14	1		C	8		Y11	4
	L16A	8		D	4			
	L16B	8		J03R/L	1/1			
	L17	2		S02 M8X30	4			
	L18A	2		M02 M8	4			
	L18B	1		Z01	32			
	L18C	1		Z02	6			
	L18D	4		Z04	8			
	L21C	8						
	L21D	8						

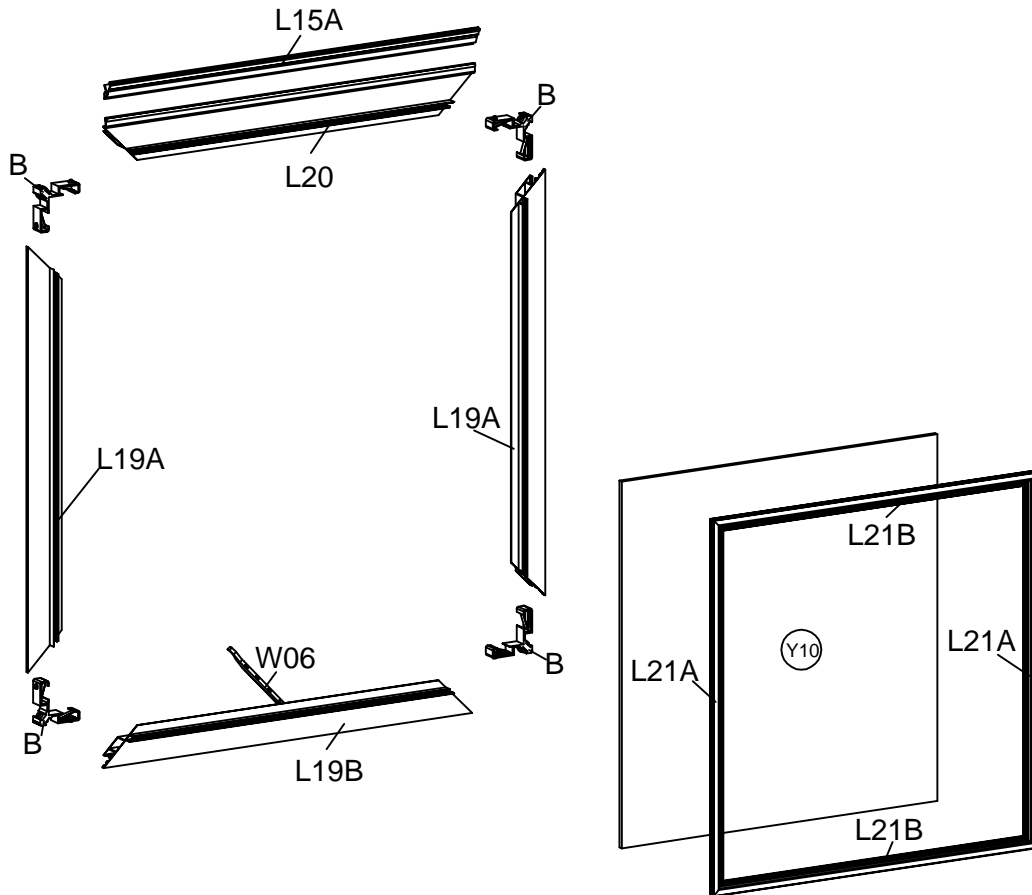
Door Assembly

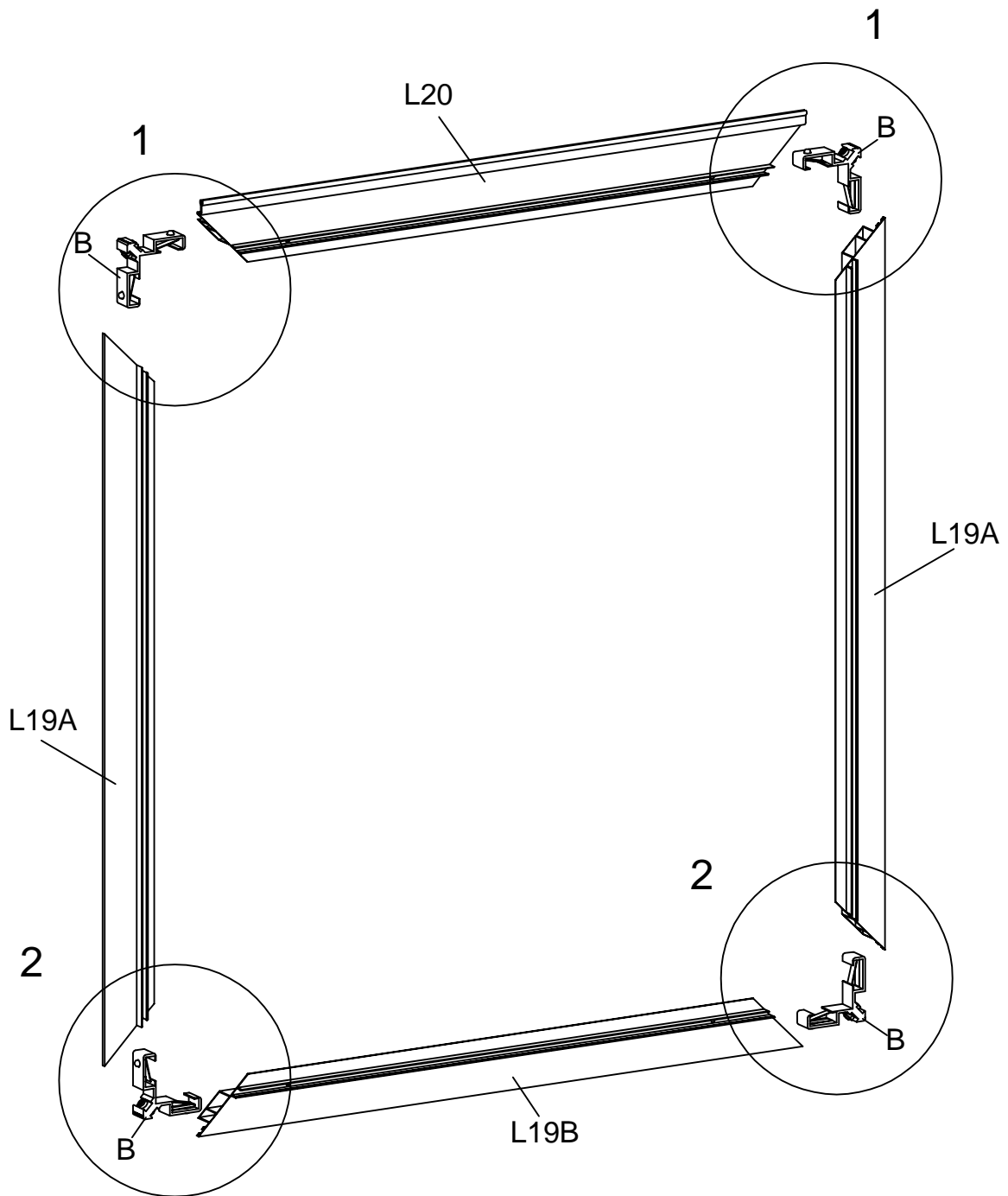
Overview



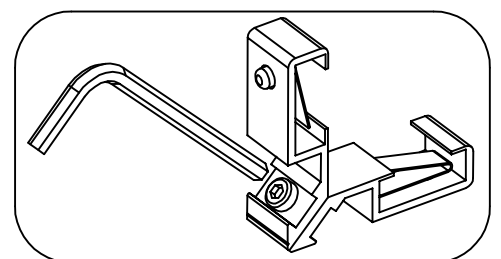
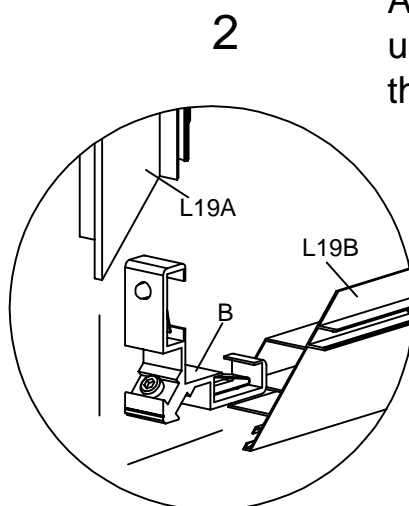
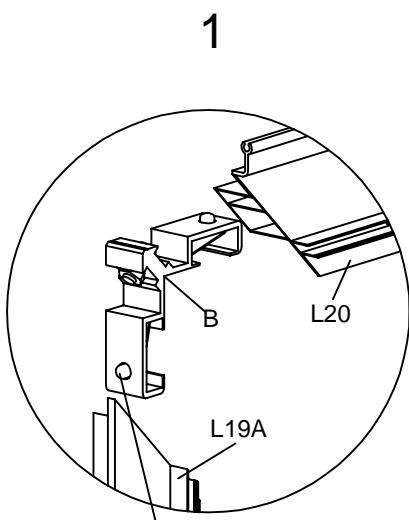
PART	NO	QTY	PART	NO	QTY	PART	NO	QTY
	L15A	1		B	4		Y10	1
	L19A	2		Z01 Ø4X14	8			
	L19B	1		Z02 Ø4X14D	4			
	L20	1		Z03 Ø4X10	2			
	L21A	2						
	L21B	2						
	W06	1						

Roof Vent Assembly

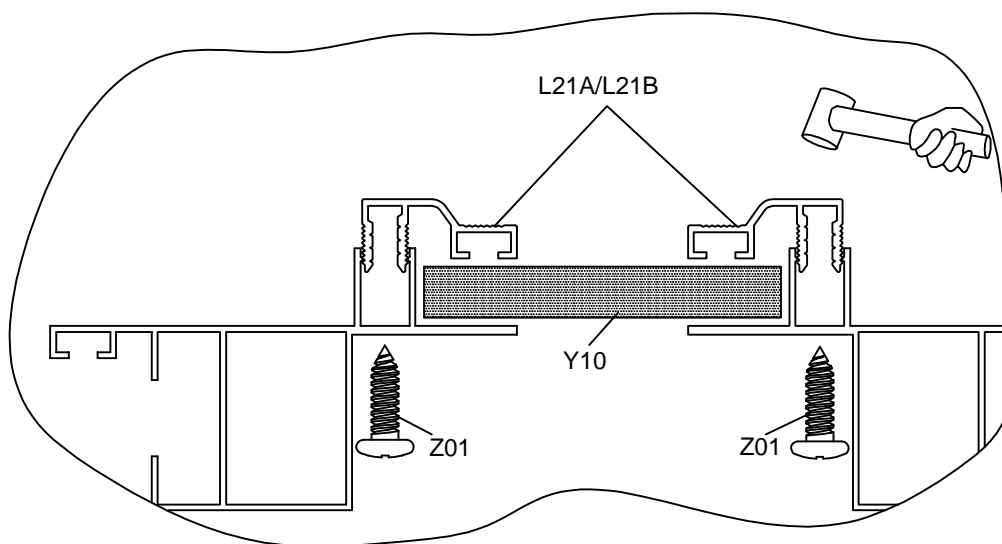
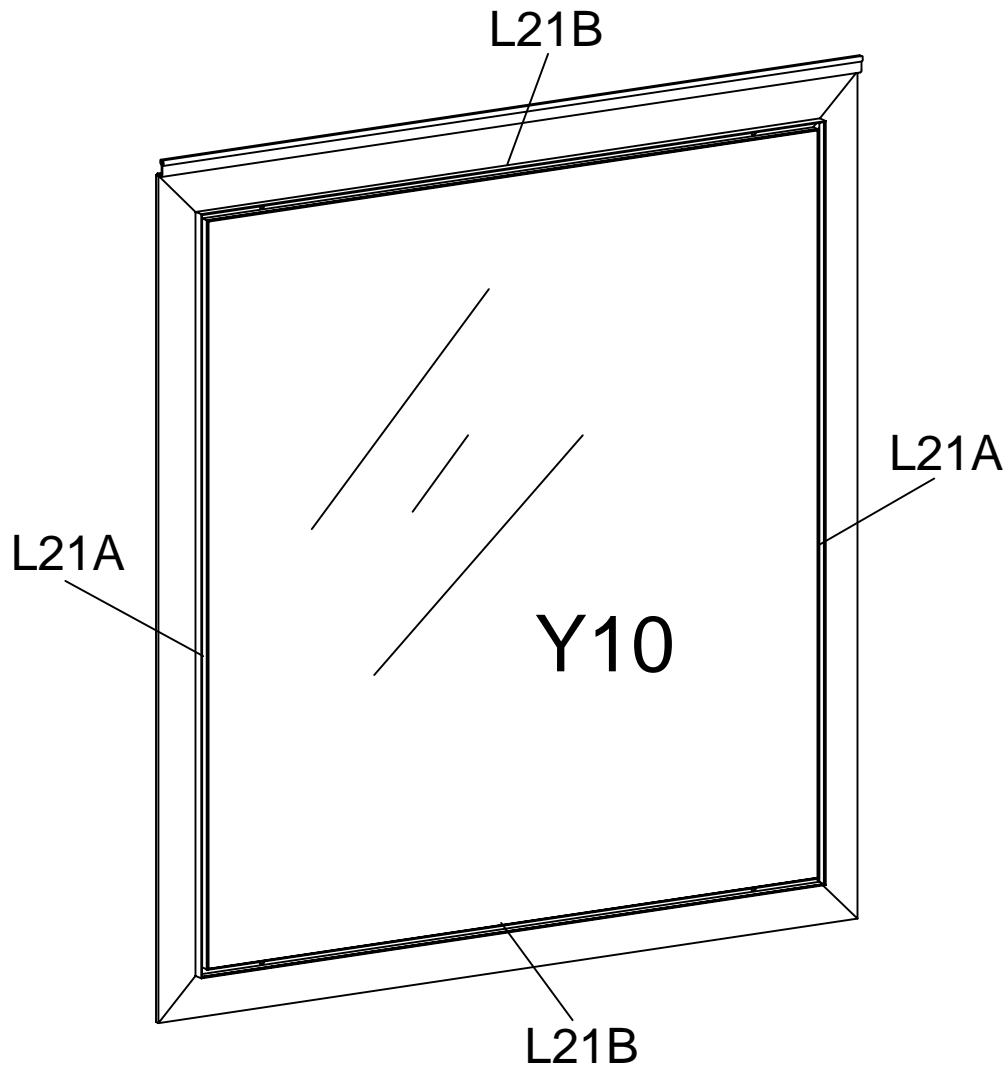




After connector B has been fitted, use the hole in the profile to tighten the connector in place.



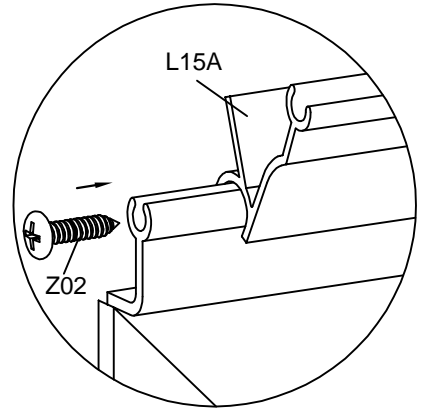
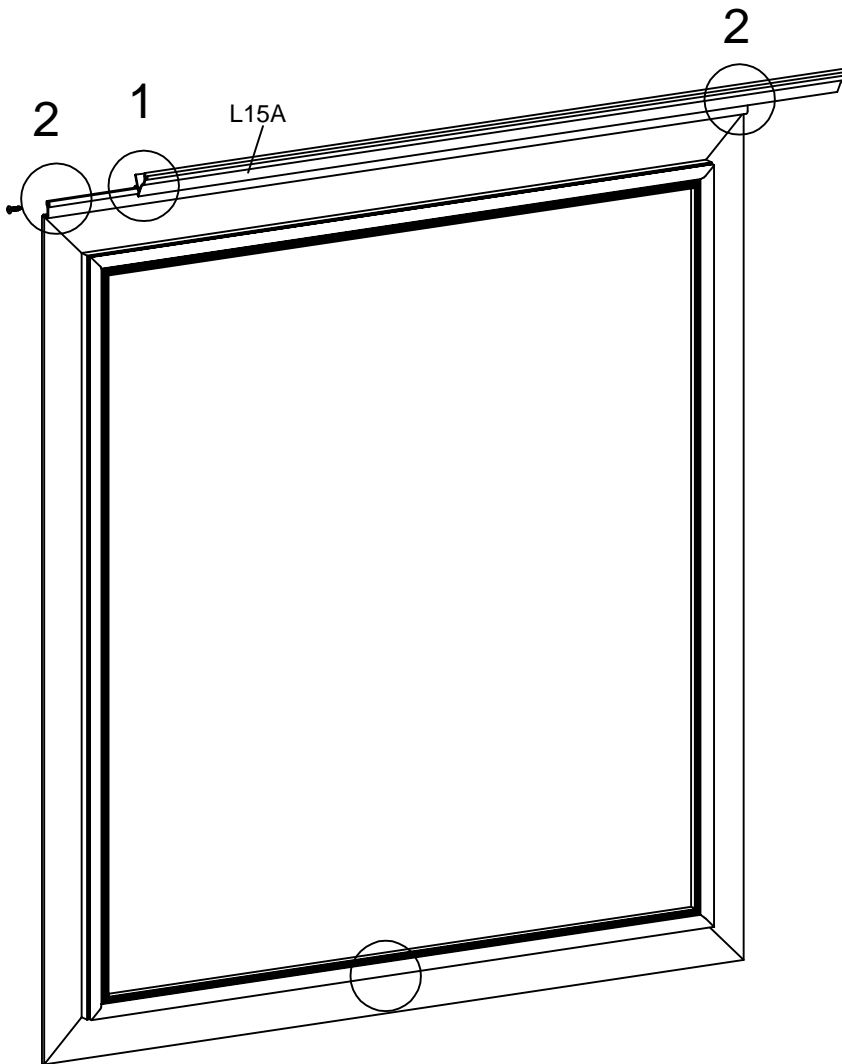
Push down the button on connector B before inserting it into the end of the frame profile.



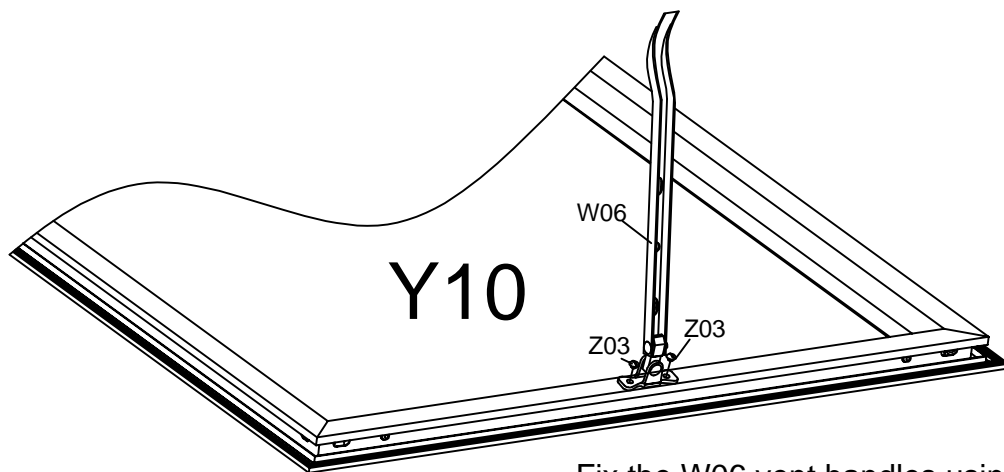
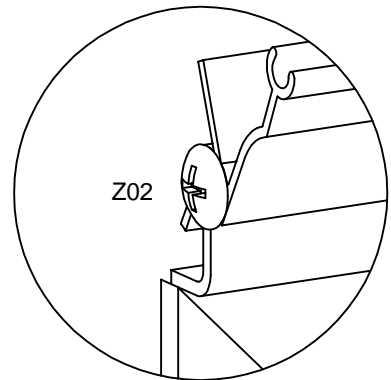
First the polycarbonate glazing panel Y10 should be loosely retained by the bar capping profiles L21A and L21B. Next tap the bar capping gently into position with a rubber mallet, then fix the bar capping securely with Z01 screws.

Install the Z02 screws to prevent the L15A from sliding off the vent.

1



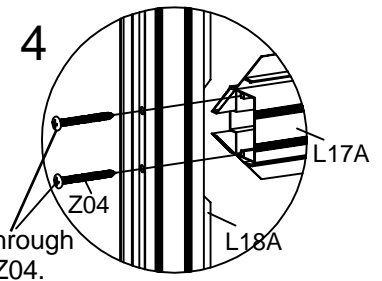
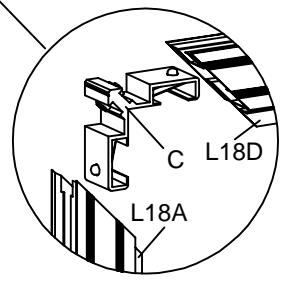
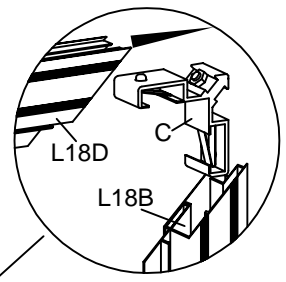
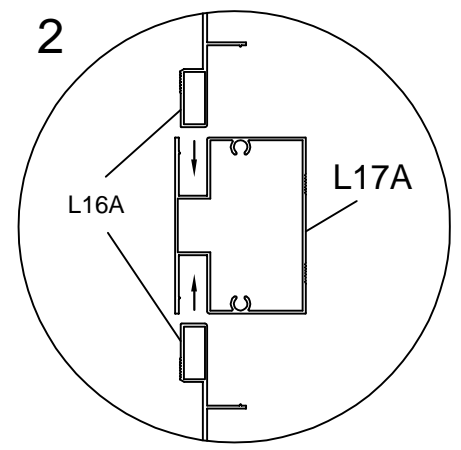
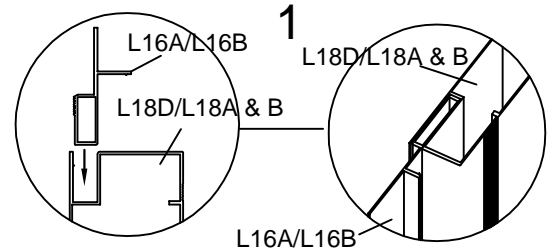
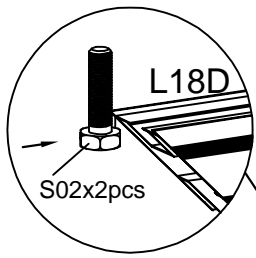
2



Fix the W06 vent handles using Z03 screws.
If required, automatic vent openers can be installed
once the greenhouse is complete.

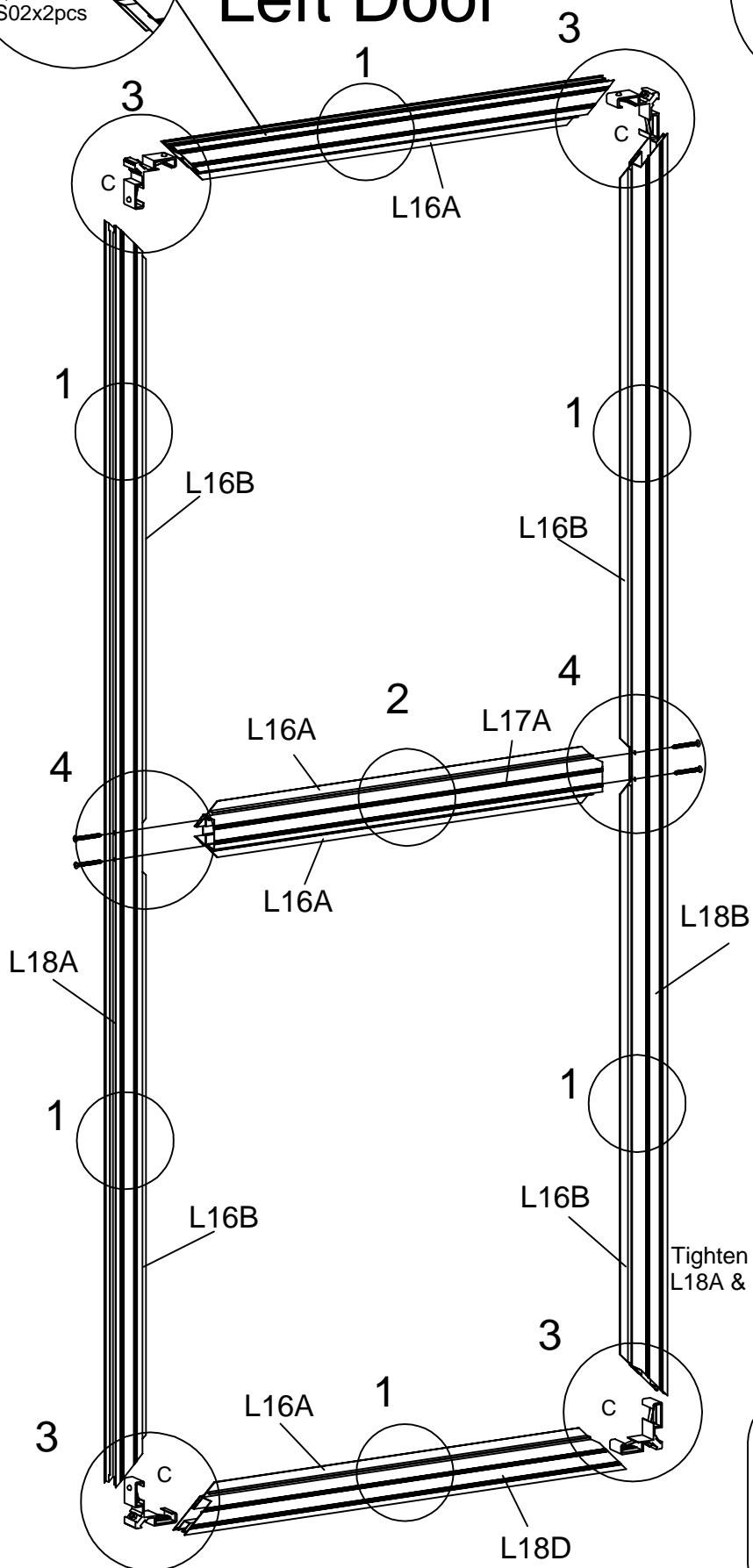
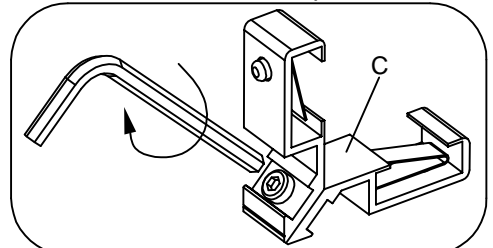
Slide L16A into L17A and L18D and slide L16B into L18A and L18B, then assemble the door frames using connector C, as shown in the sketches below.

Left Door

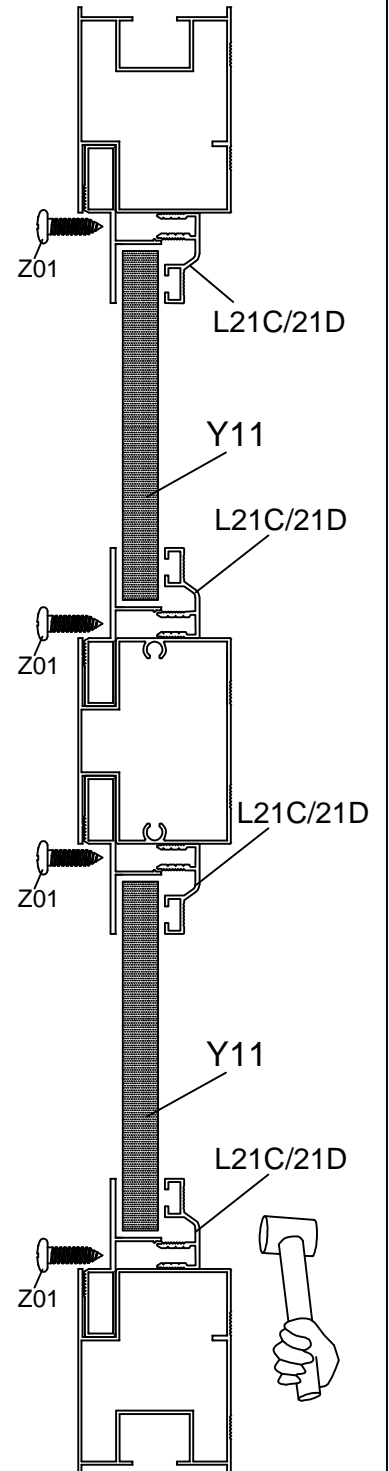
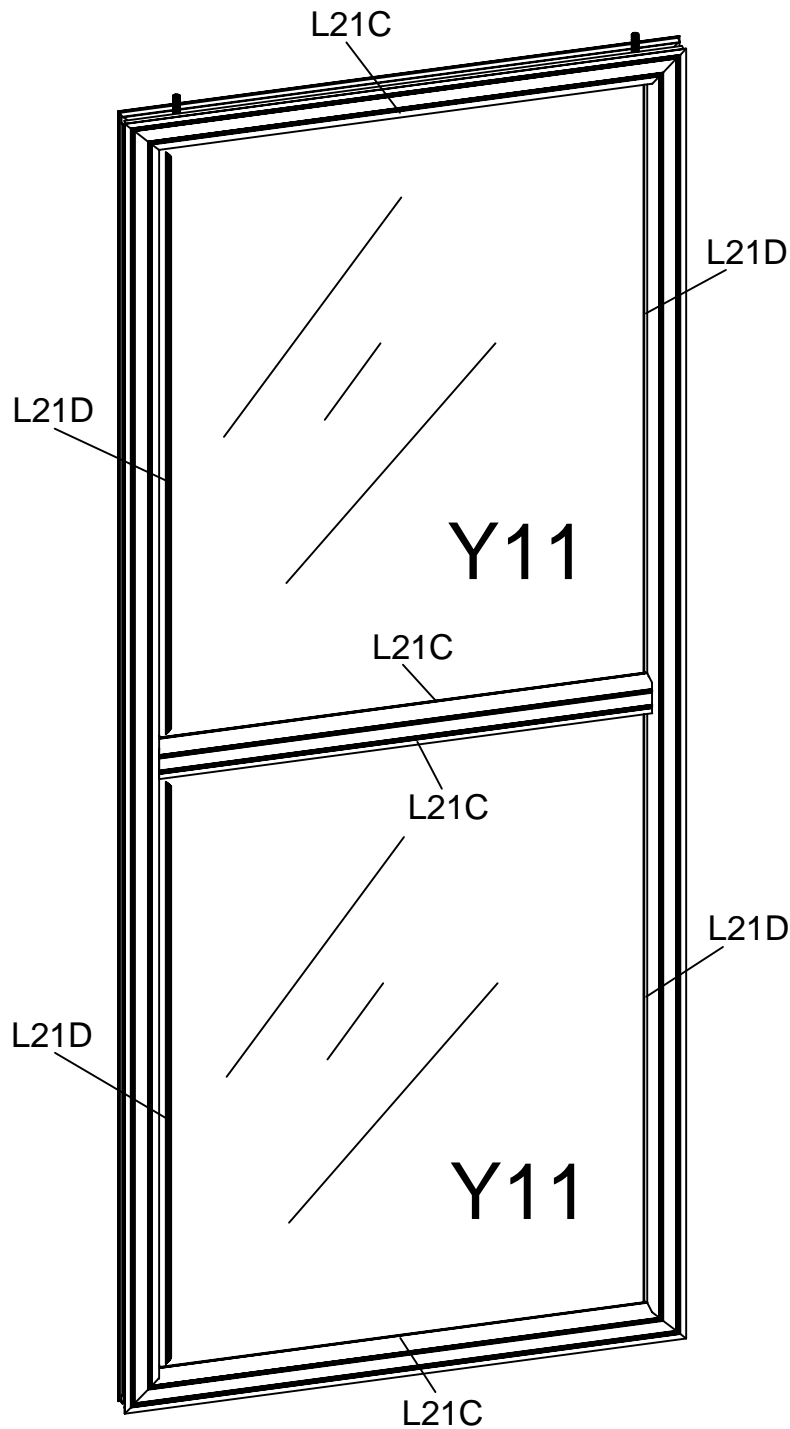


Tighten L17A through L18A & B with Z04.

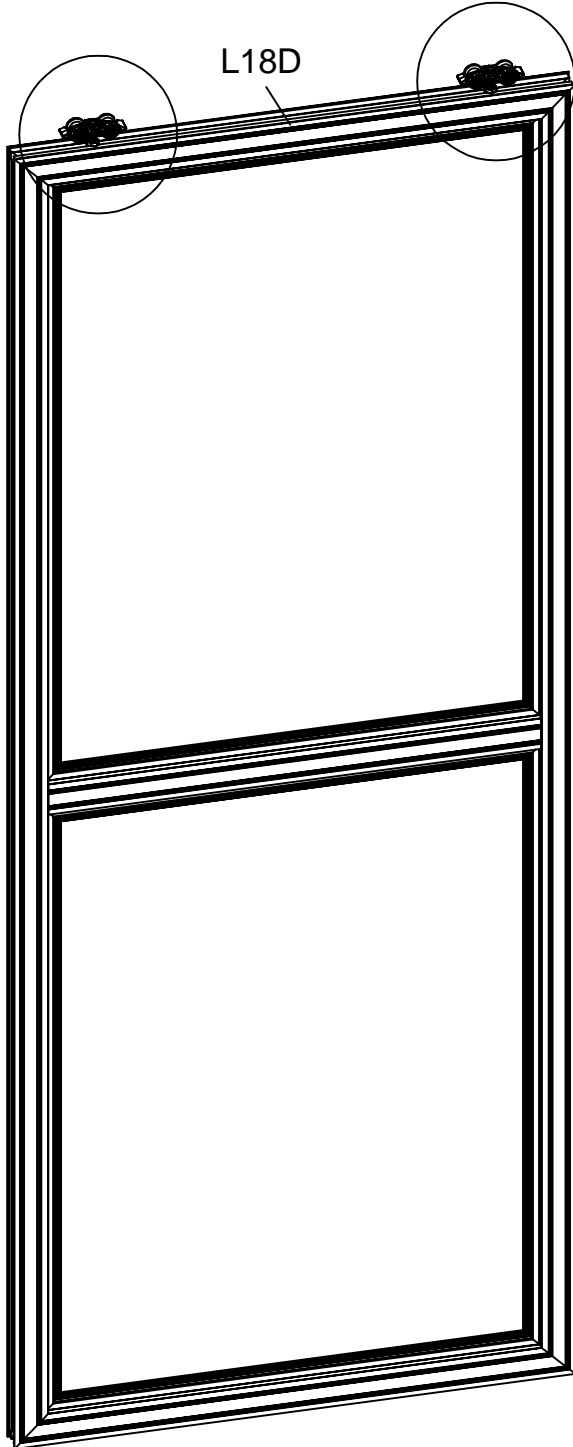
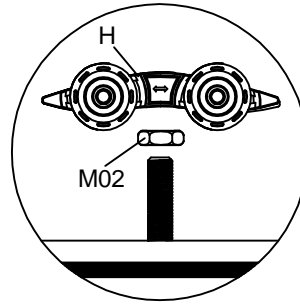
After connector C has been fitted, use the hole in the profile to tighten the connector in place.



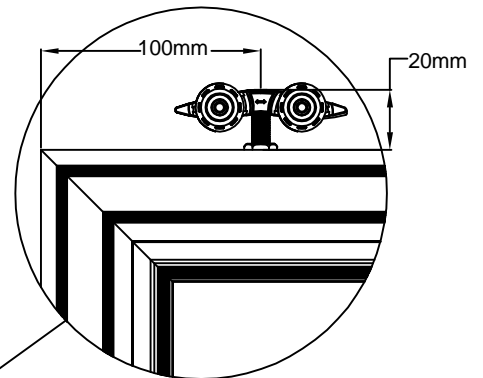
First the polycarbonate glazing panels should be loosely retained by the bar capping profiles L21C and L21D.
Next tap the bar capping gently into position with a rubber mallet, then fix the bar capping securely with Z01 screws.



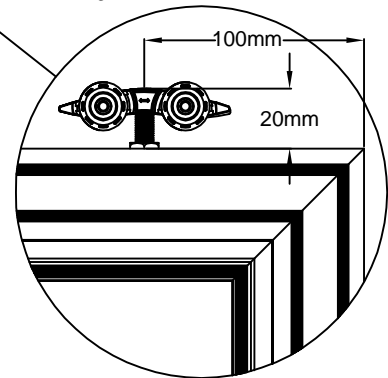
Slide 2xS02 into L18D, positioned 100mm away from each edge.
Secure S02 using M02 bolts, then rotate the wheels
to ensure free movement.



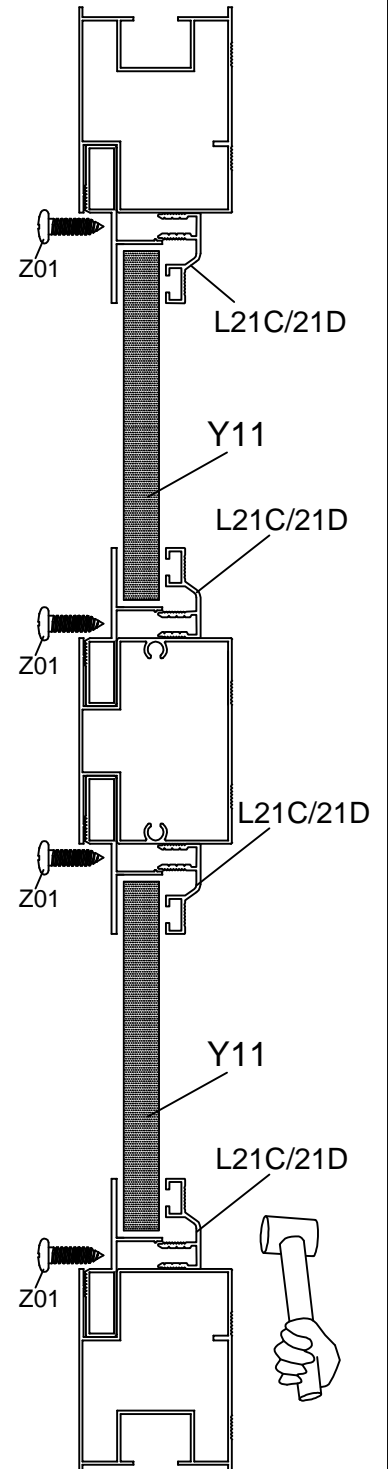
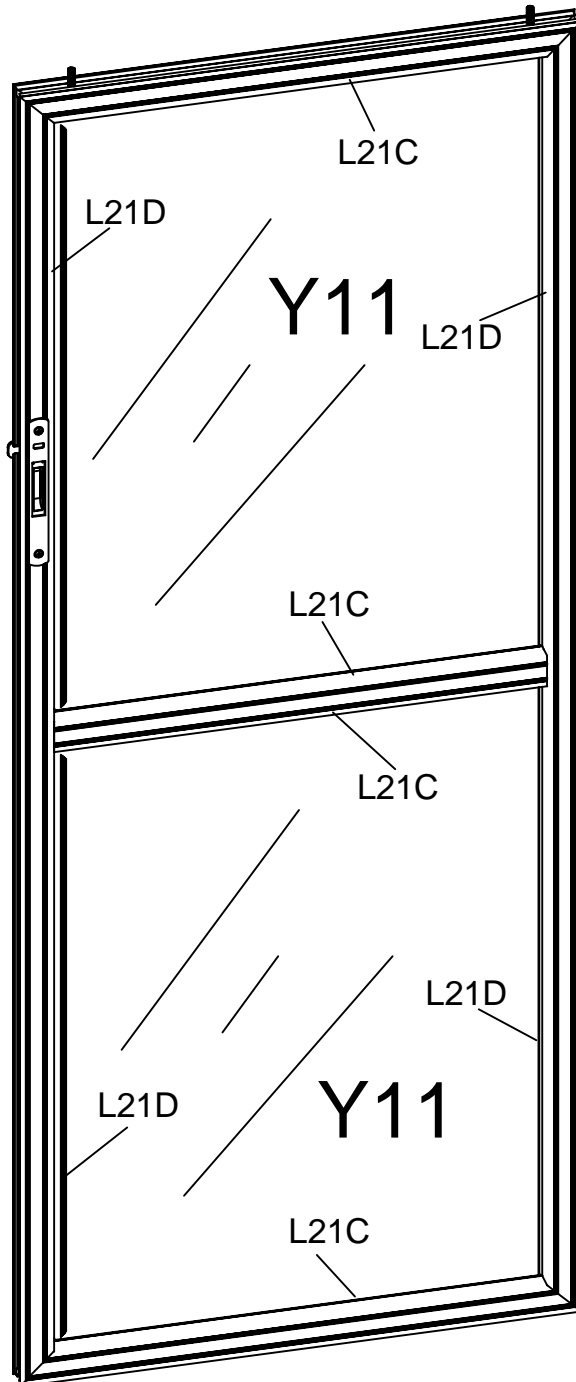
* This is the method of adjusting the door height.



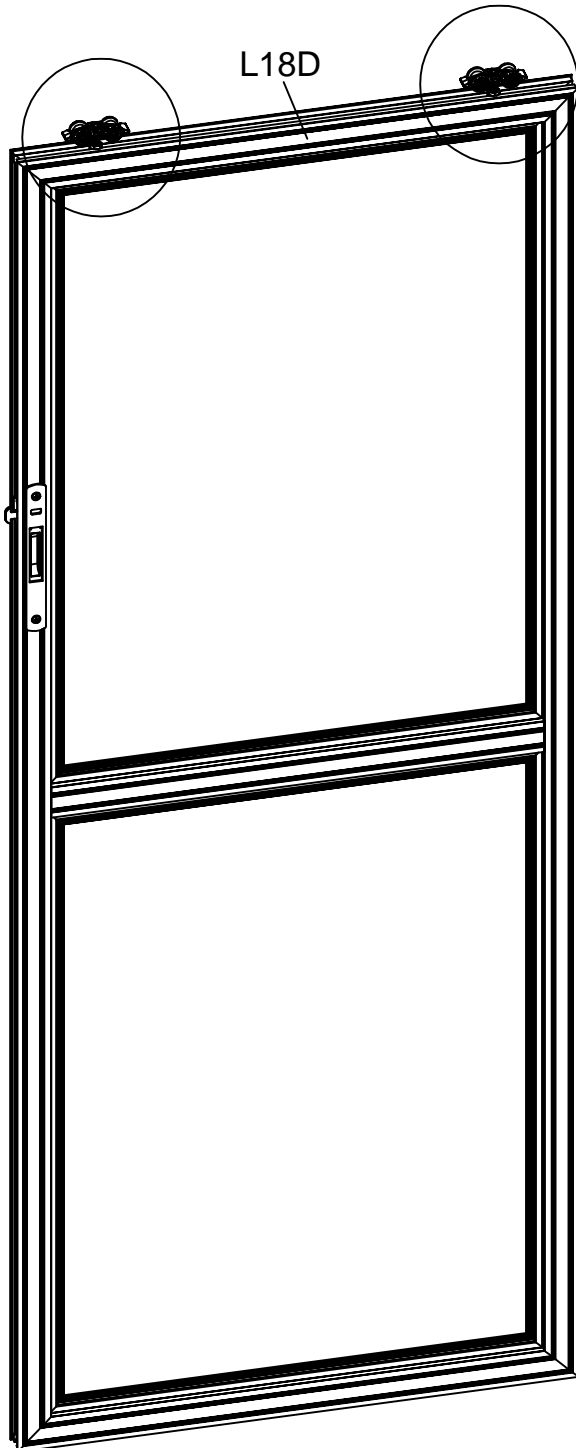
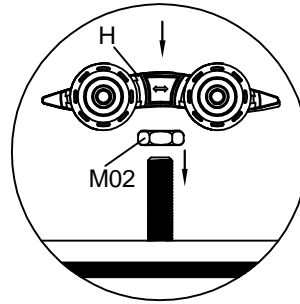
After Assembly



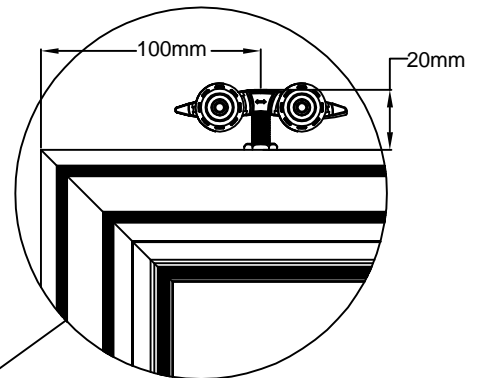
First the polycarbonate glazing panels should be loosely retained by the bar capping profiles L21C and L21D. Next tap the bar capping gently into position with a rubber mallet, then fix the bar capping securely with Z01 screws.



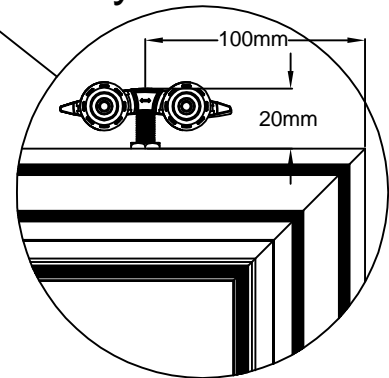
Slide 2xS02 into L18D, positioned 100mm away from each edge.
Secure S02 using M02 bolts, then rotate the wheels
to ensure free movement.

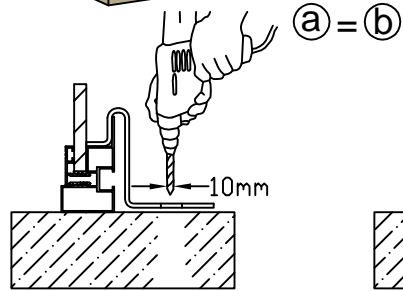
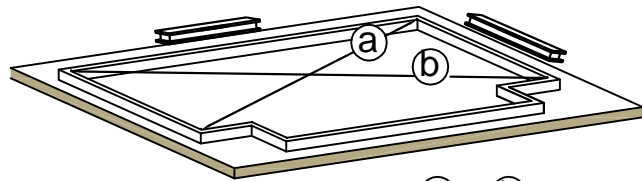
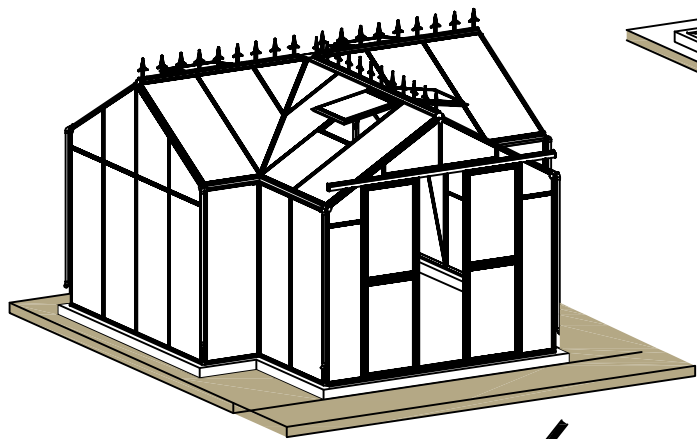


* This is the method of adjusting the door height.



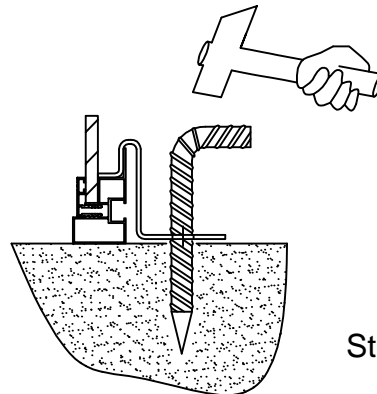
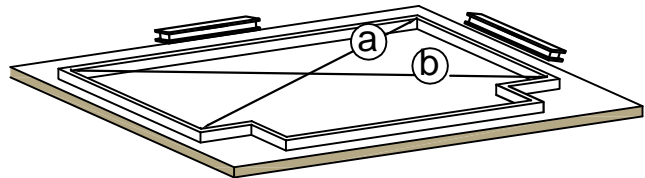
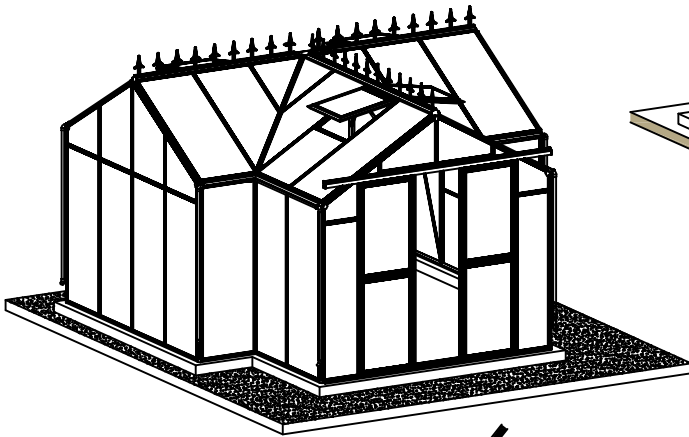
After Assembly



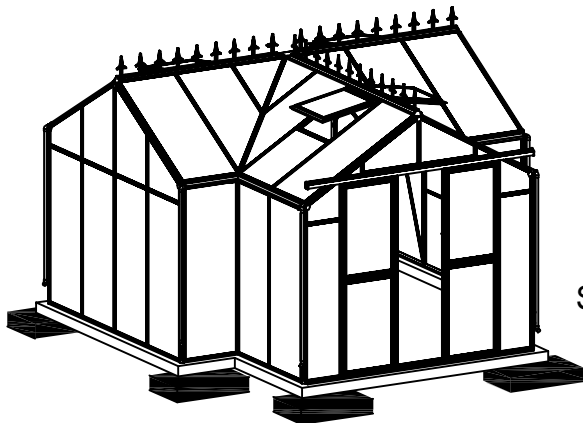


Expansion bolt
in concrete

It is essential the dimensions $a + b$ are the same to ensure the base is square.

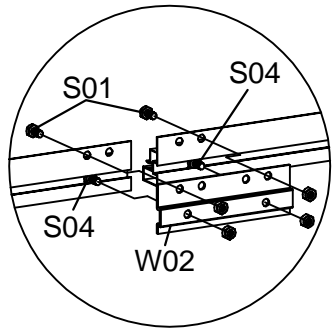
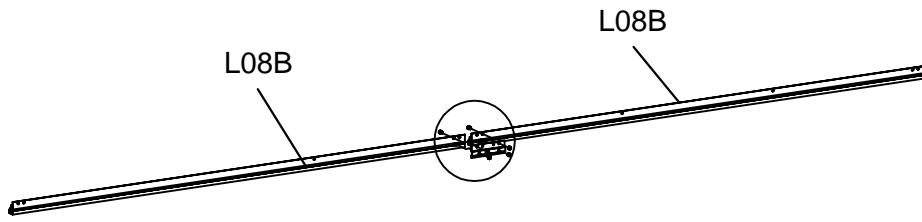


Steel pegs in soil

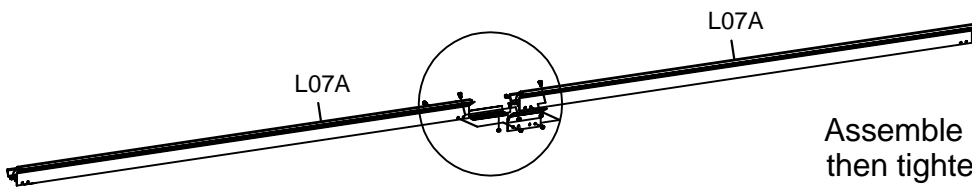


Support at the corners only is inadequate.

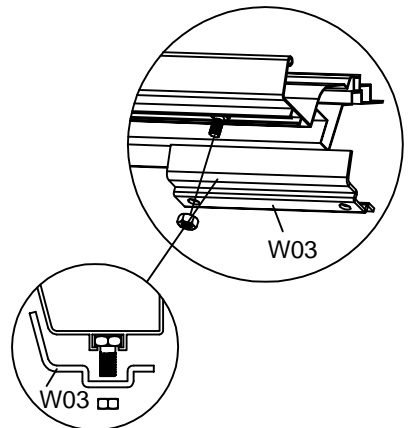
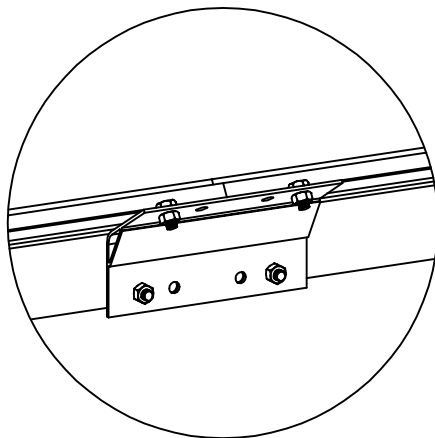
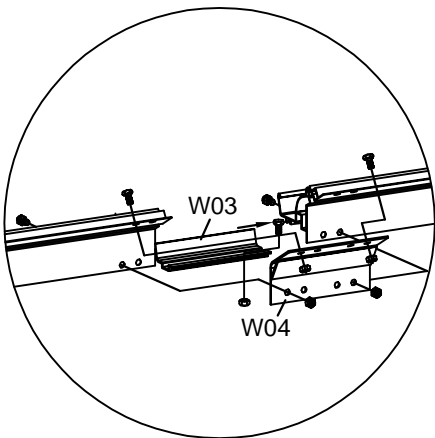




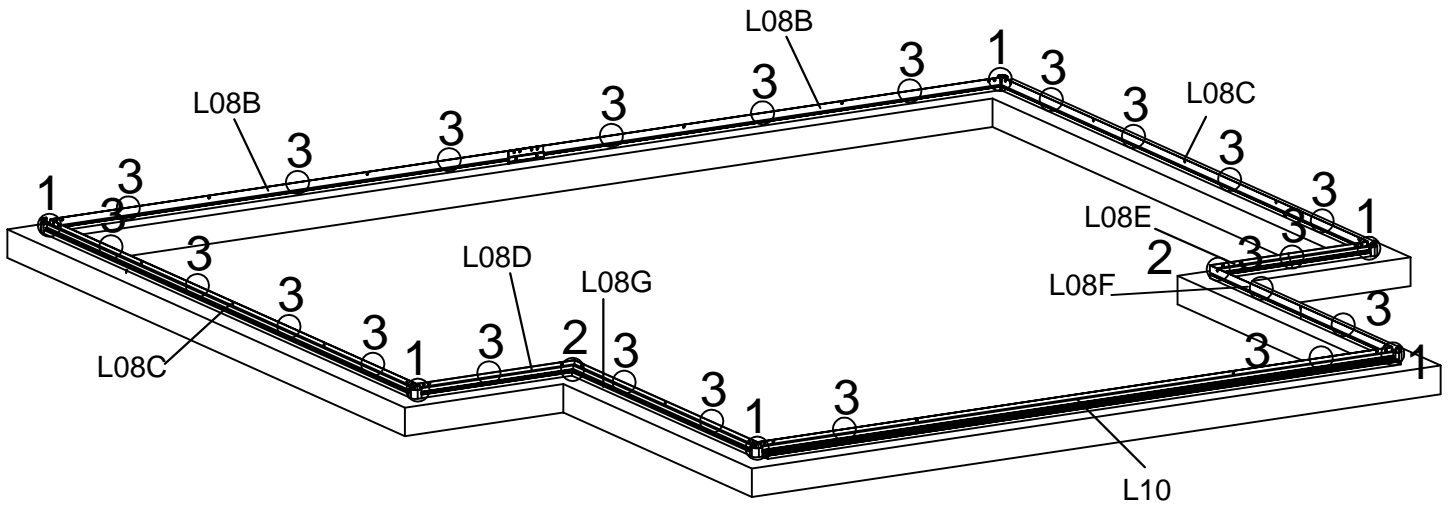
Assemble L08B x 2 through W02, then tighten them with bolts and nuts.



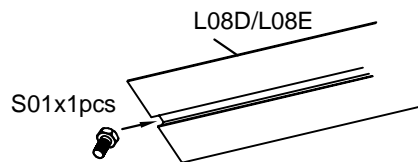
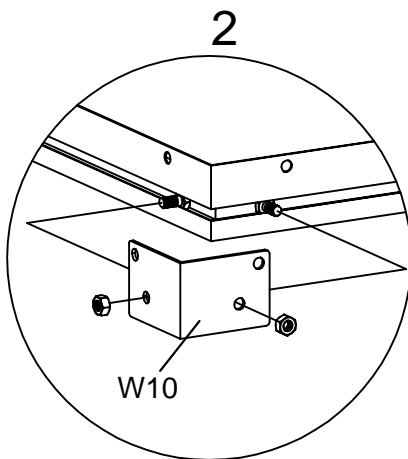
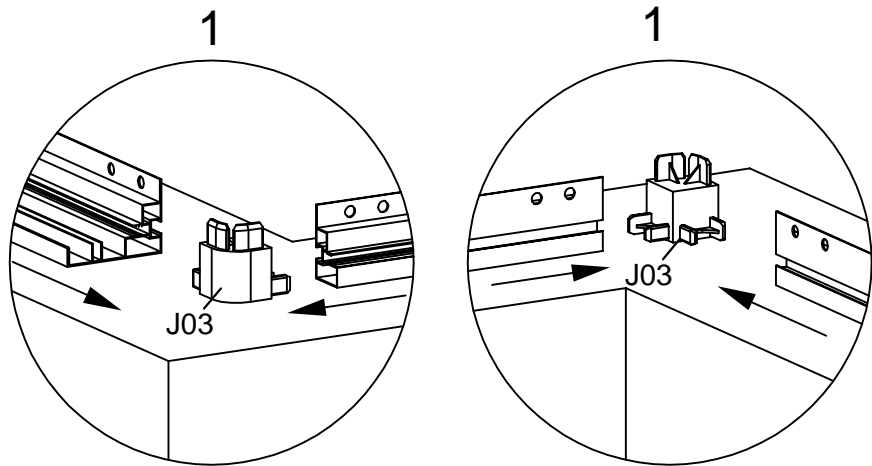
Assemble L07A x 2 through W03 & W04, then tighten them with bolts and nuts.



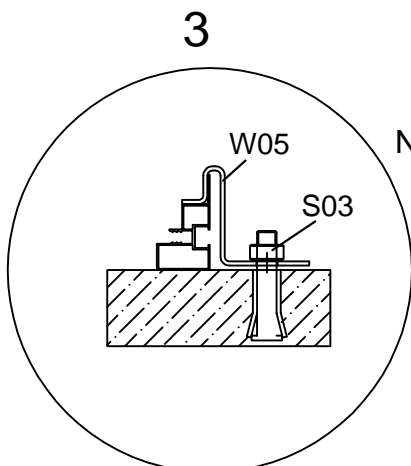
First lay out the cills, connectors and anchor brackets approximately in place.



* It is essential that the L10 door cill is flat and level to ensure the smooth operation of the door

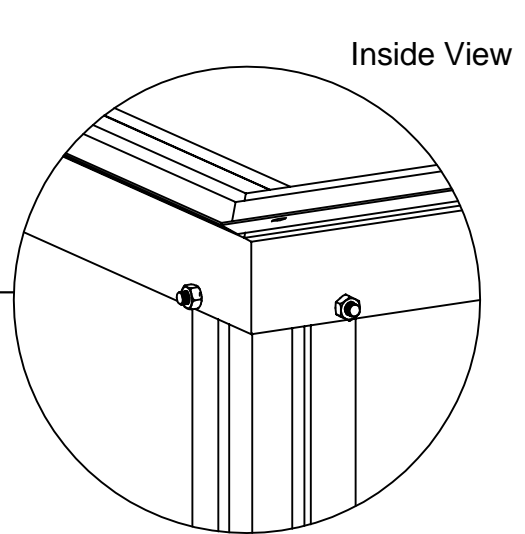
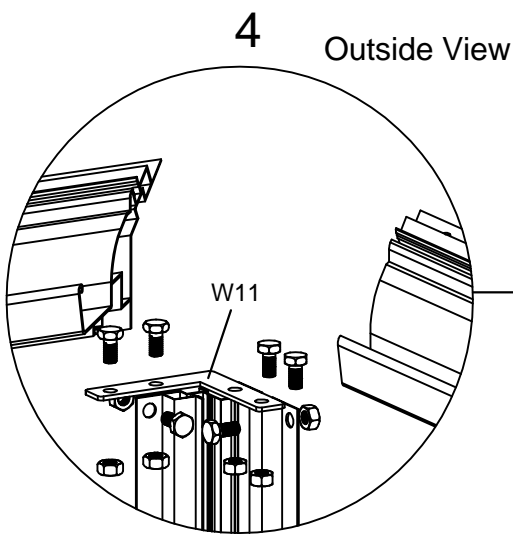
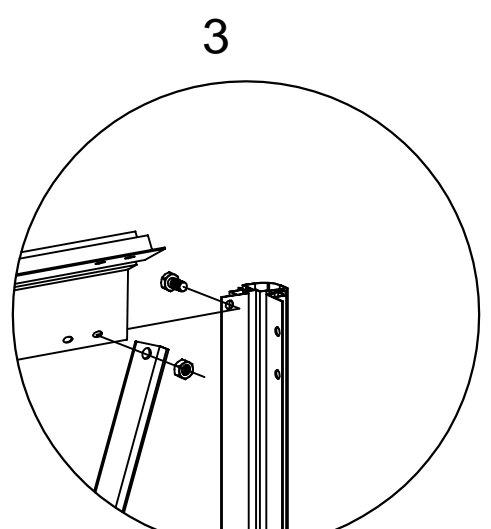
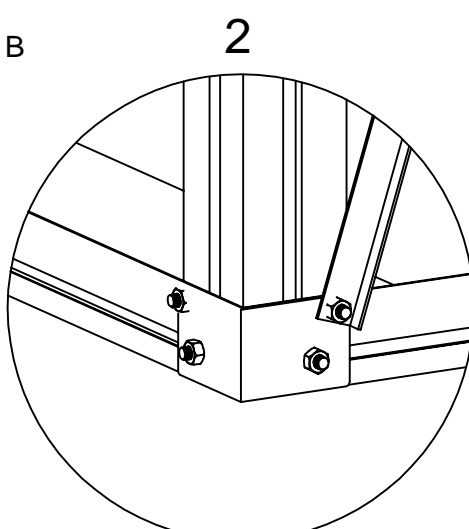
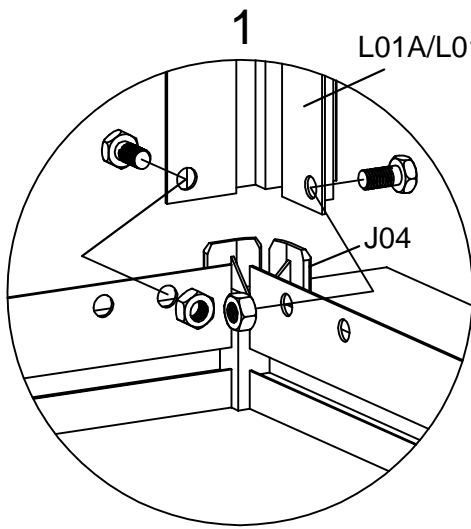
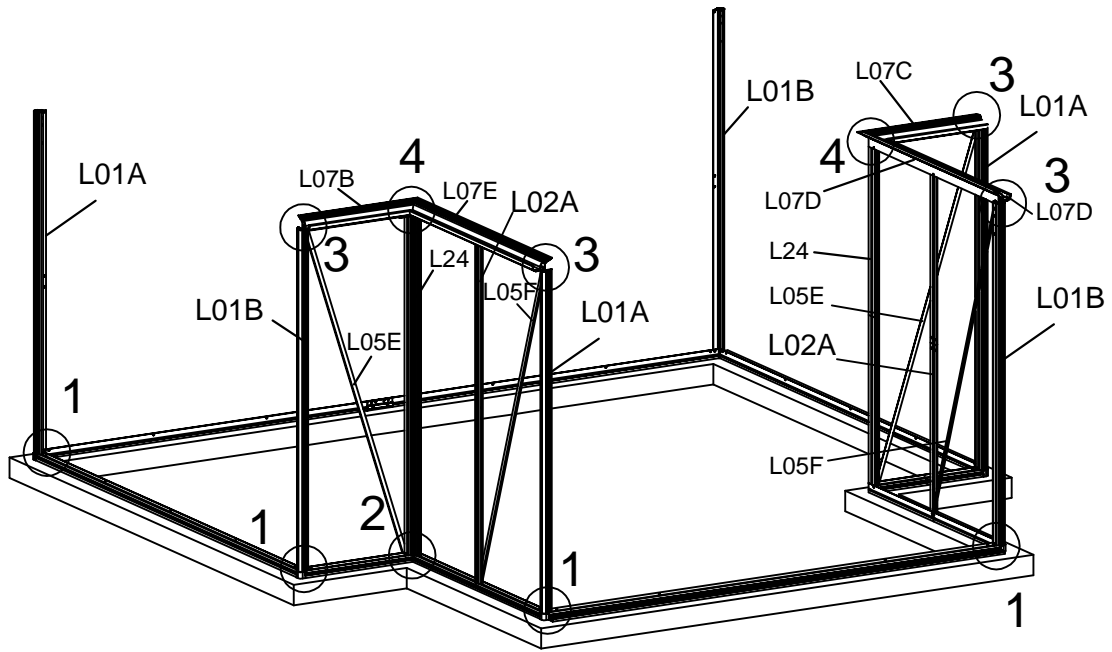


Assemble L08D & E through W10, then tighten them with bolts and nuts.

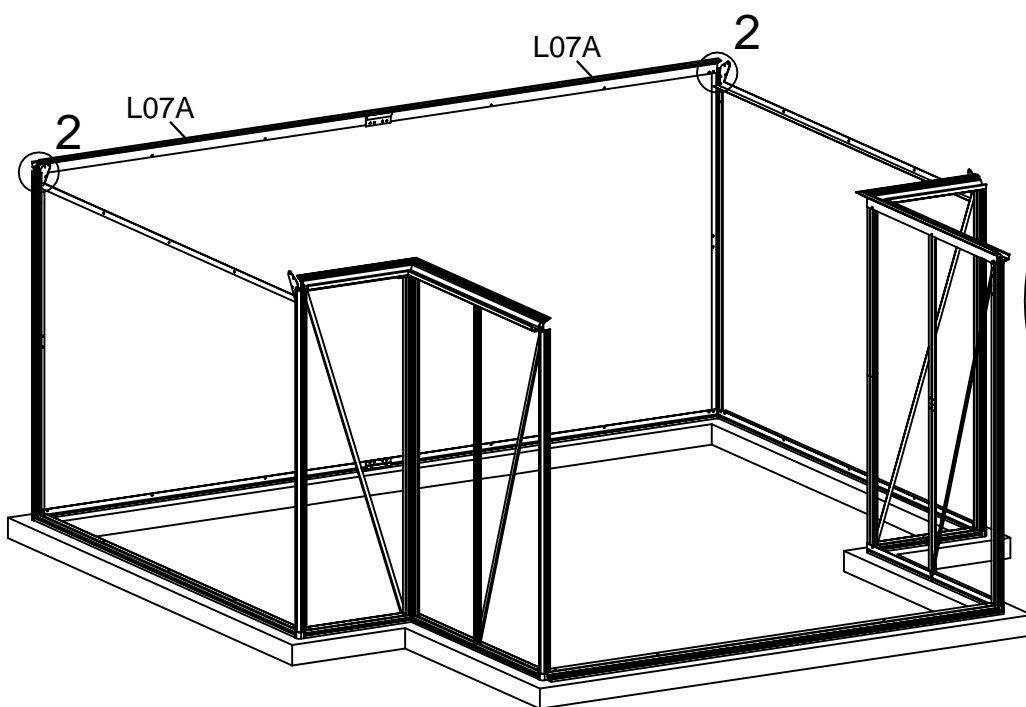
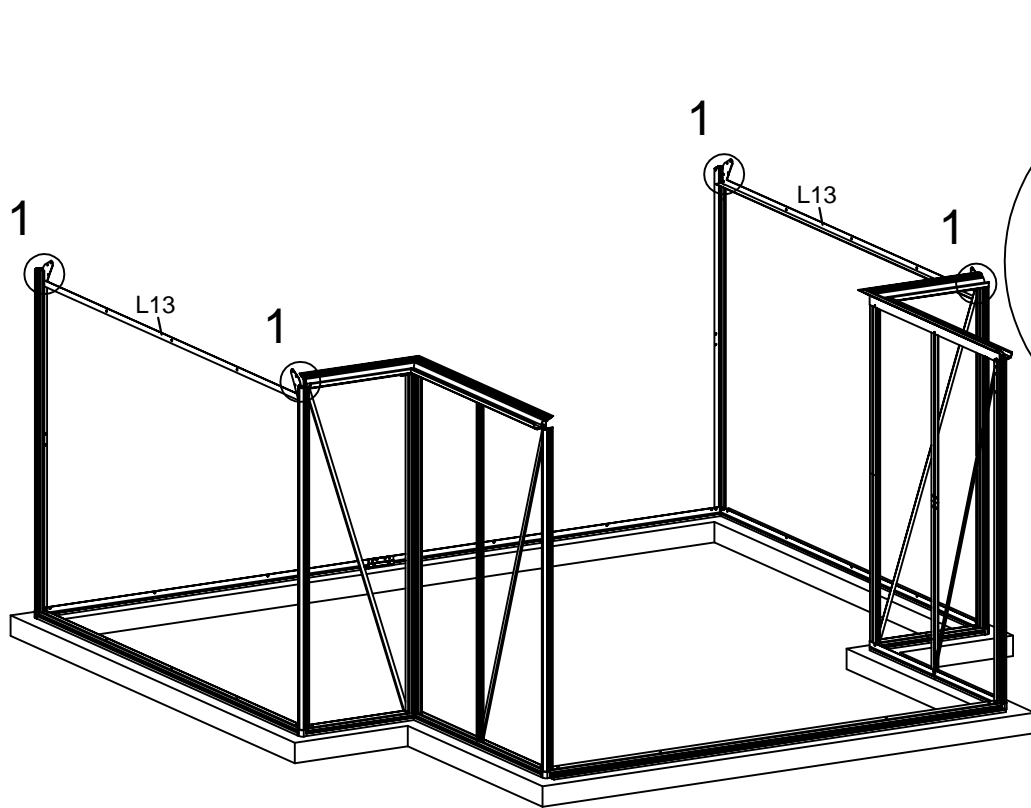


NOTE: Ensure the profiles are straight & use a string line to check. Also double check the diagonals before fixing down.

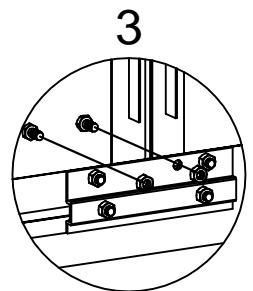
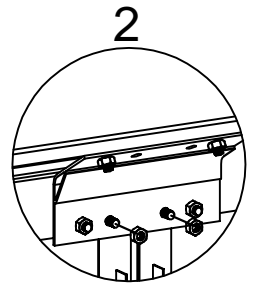
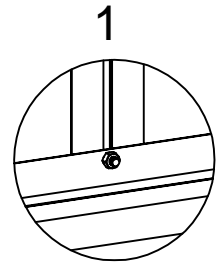
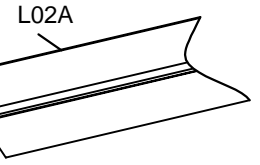
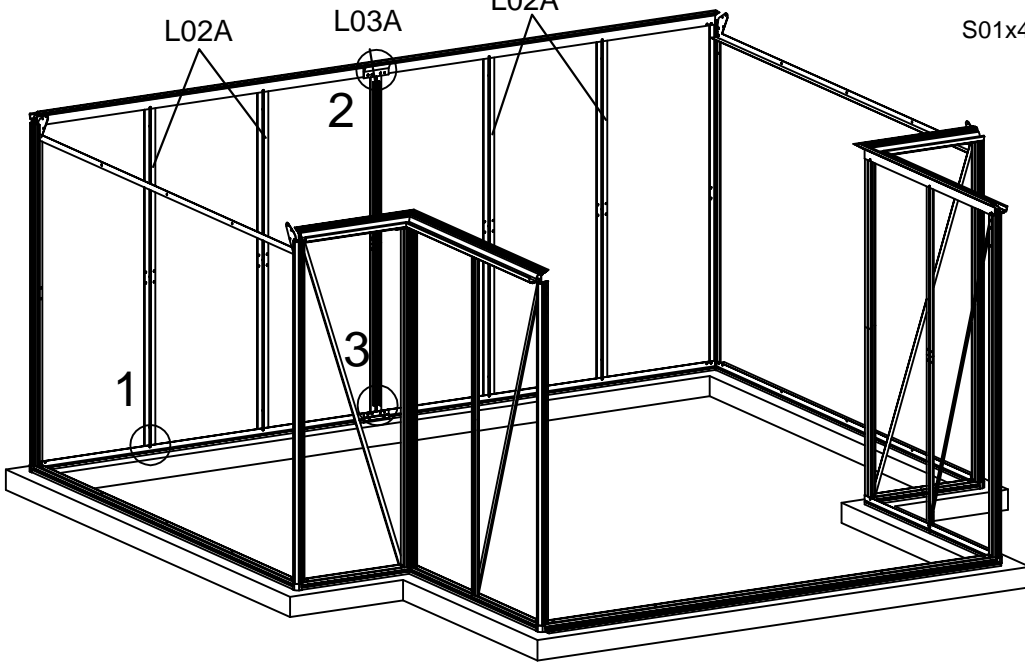
Install the corner posts as shown and secure with nuts & bolts.



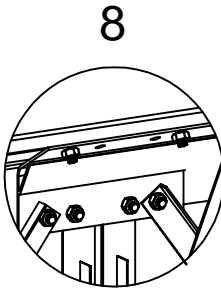
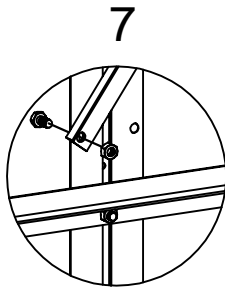
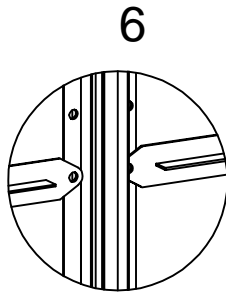
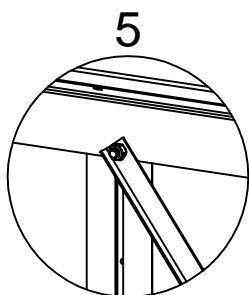
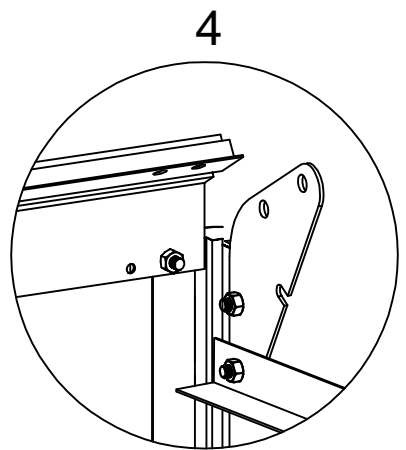
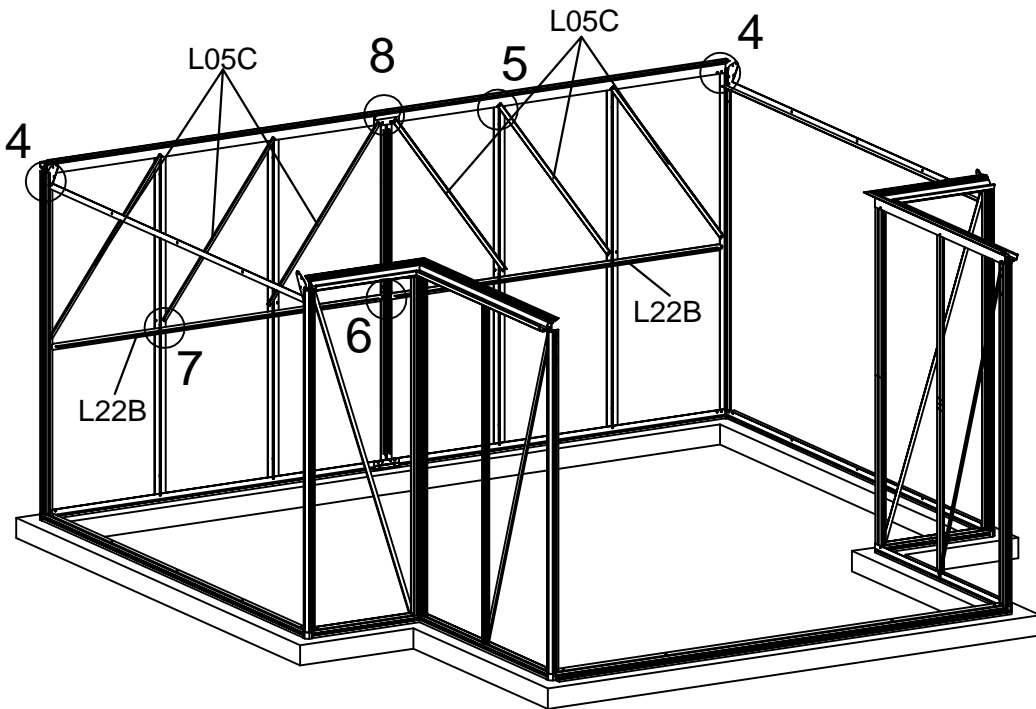
Assemble L07B & C through the W11 bracket, then tighten them with bolts and nuts.

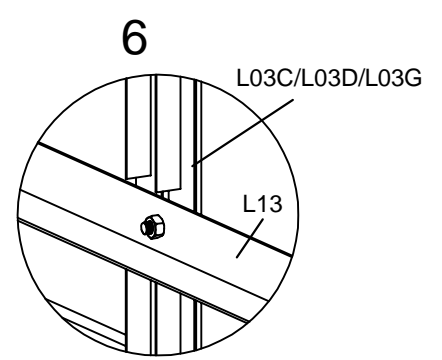
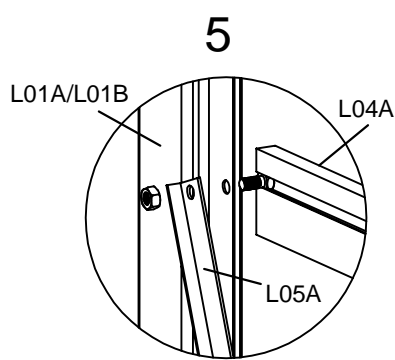
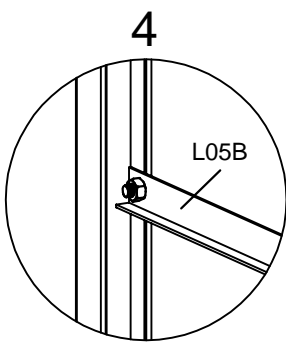
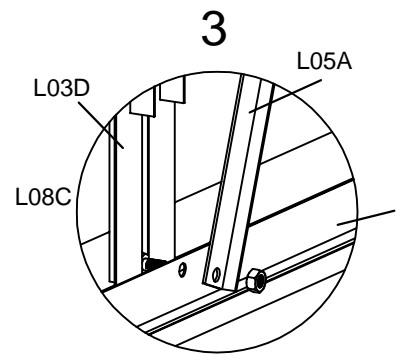
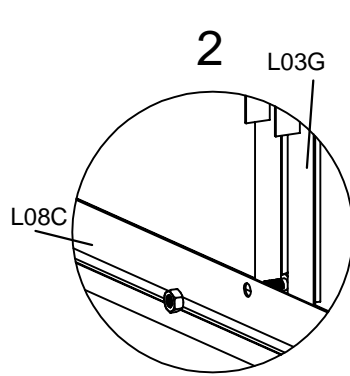
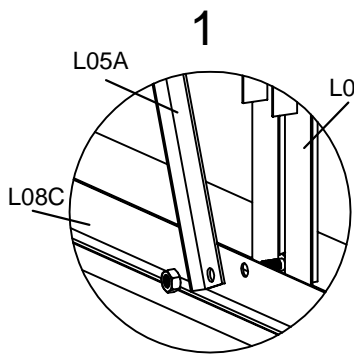
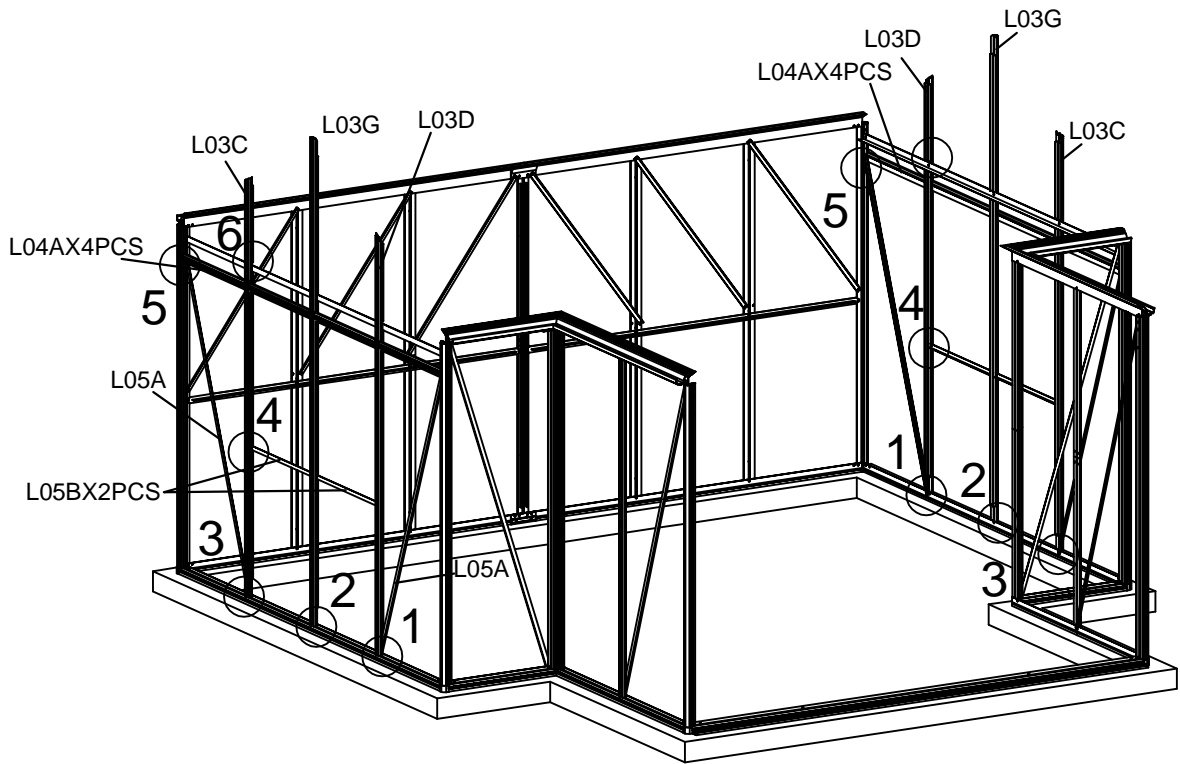


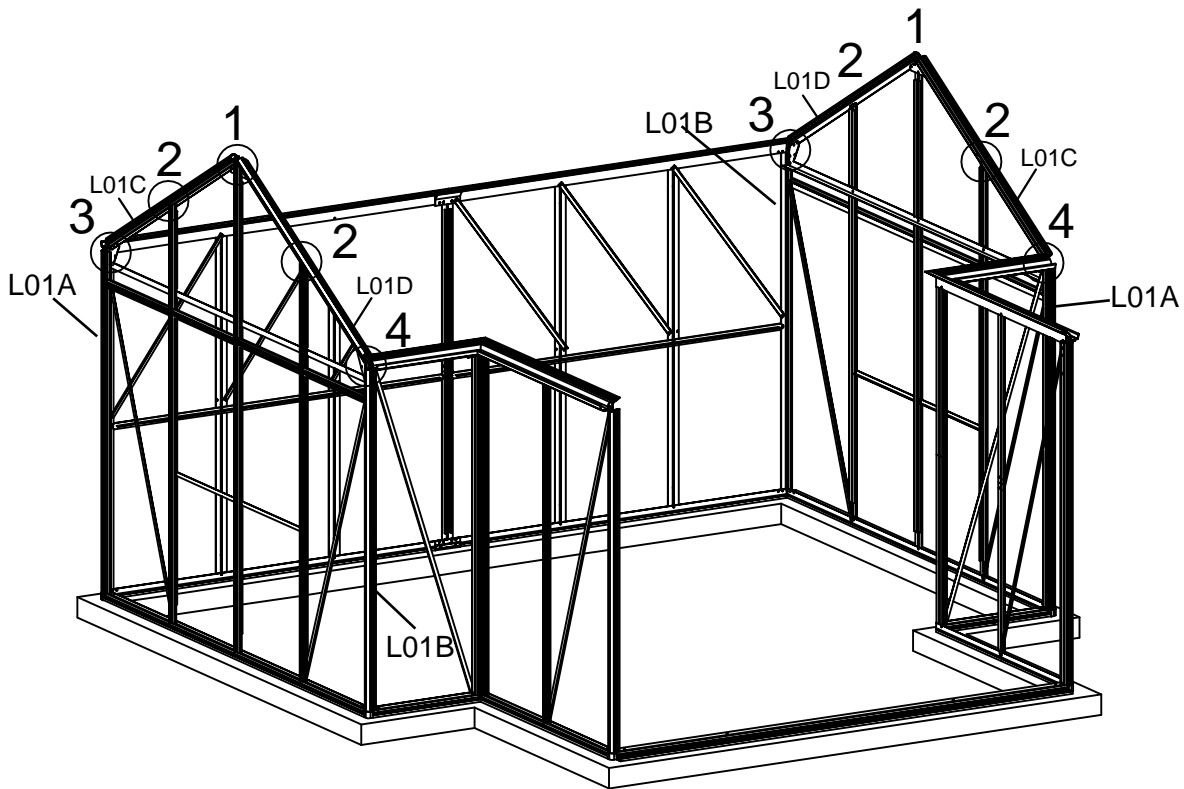
Install L02A, ensuring that you insert 2 extra bolts in the channel, which are needed later to fix the bracing.



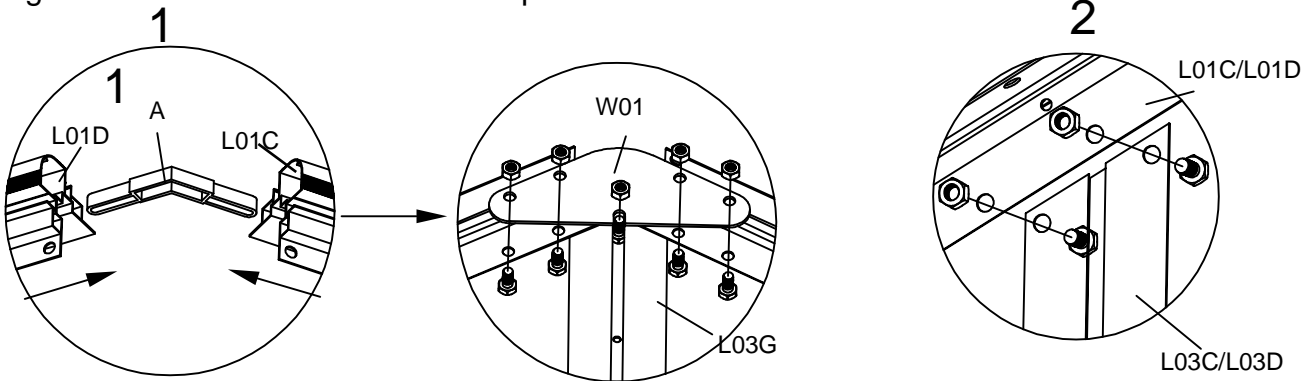
Install all of the L05C and L22B braces as shown.



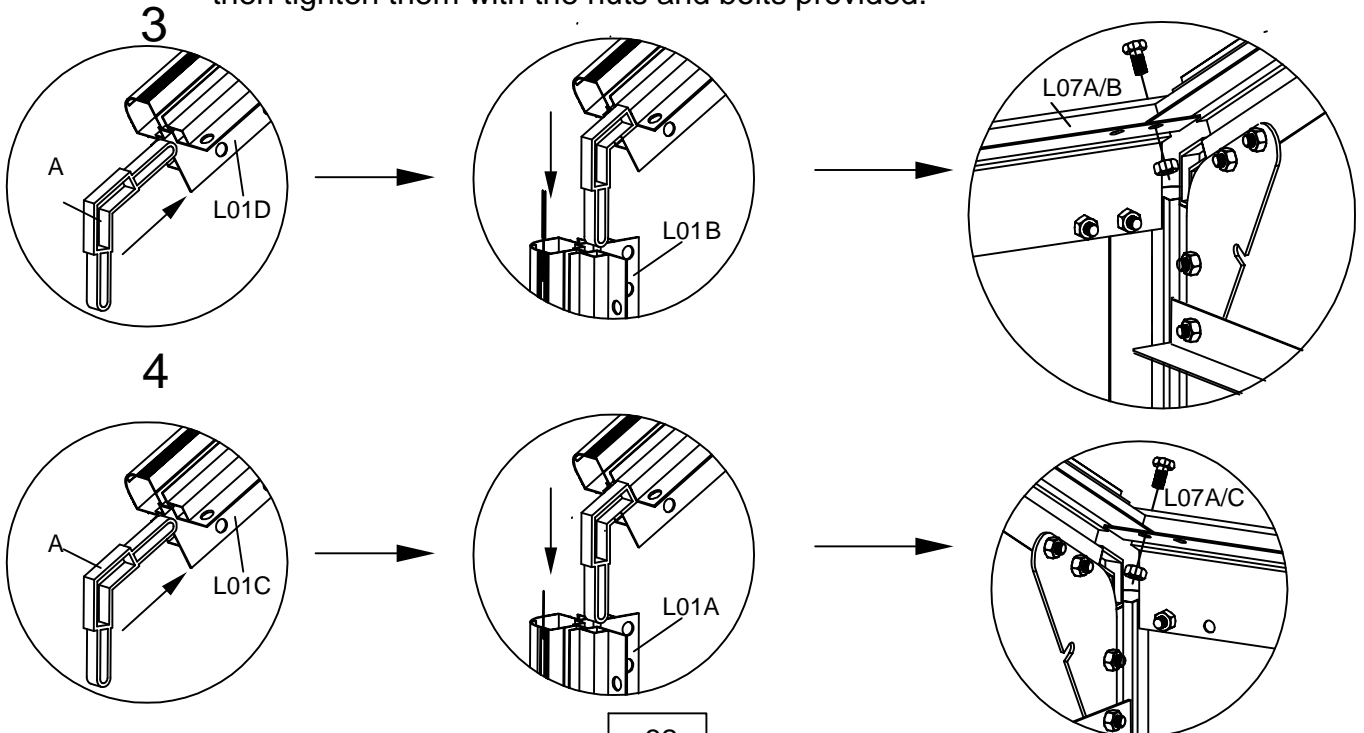




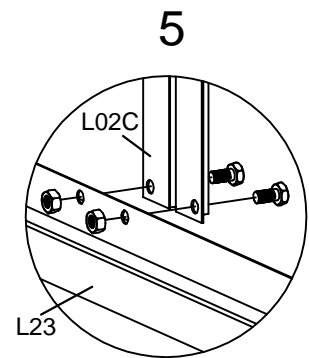
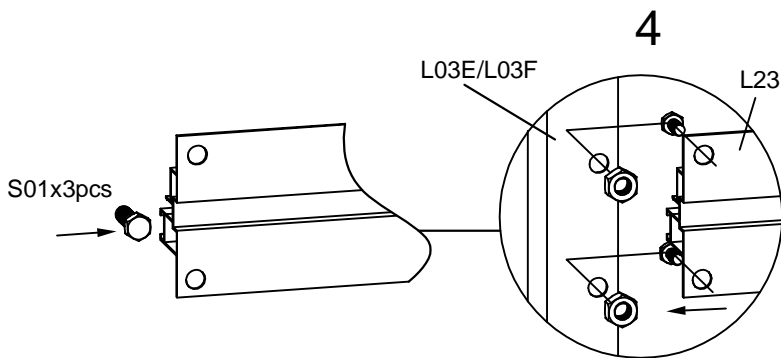
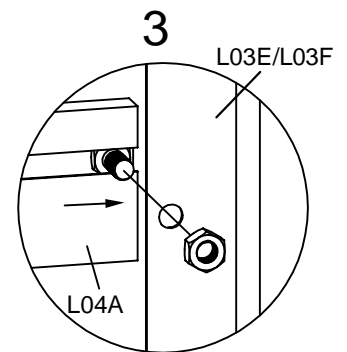
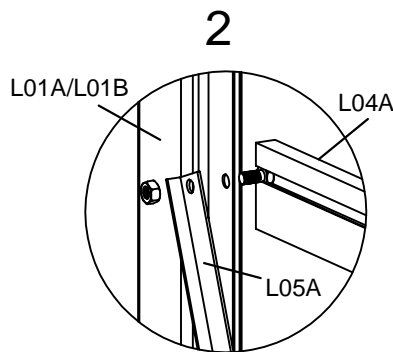
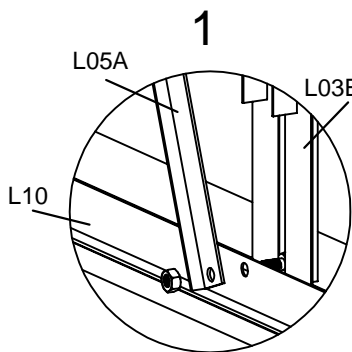
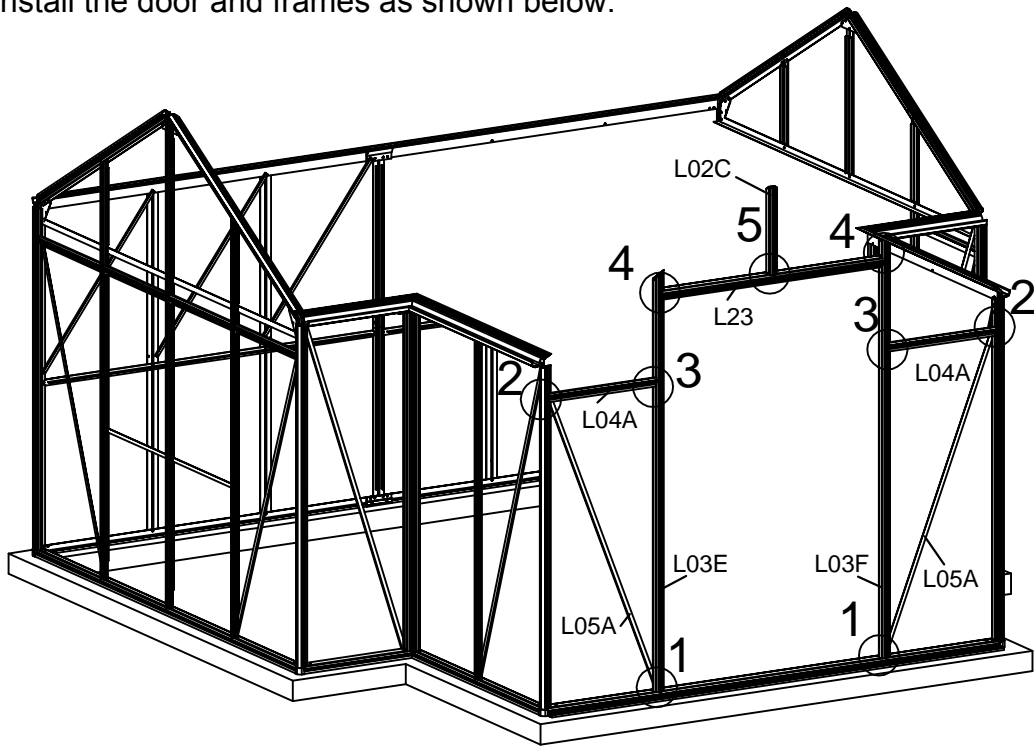
Install L01C and L01D using connector A and part W01, then tighten them with the nuts and bolts provided.

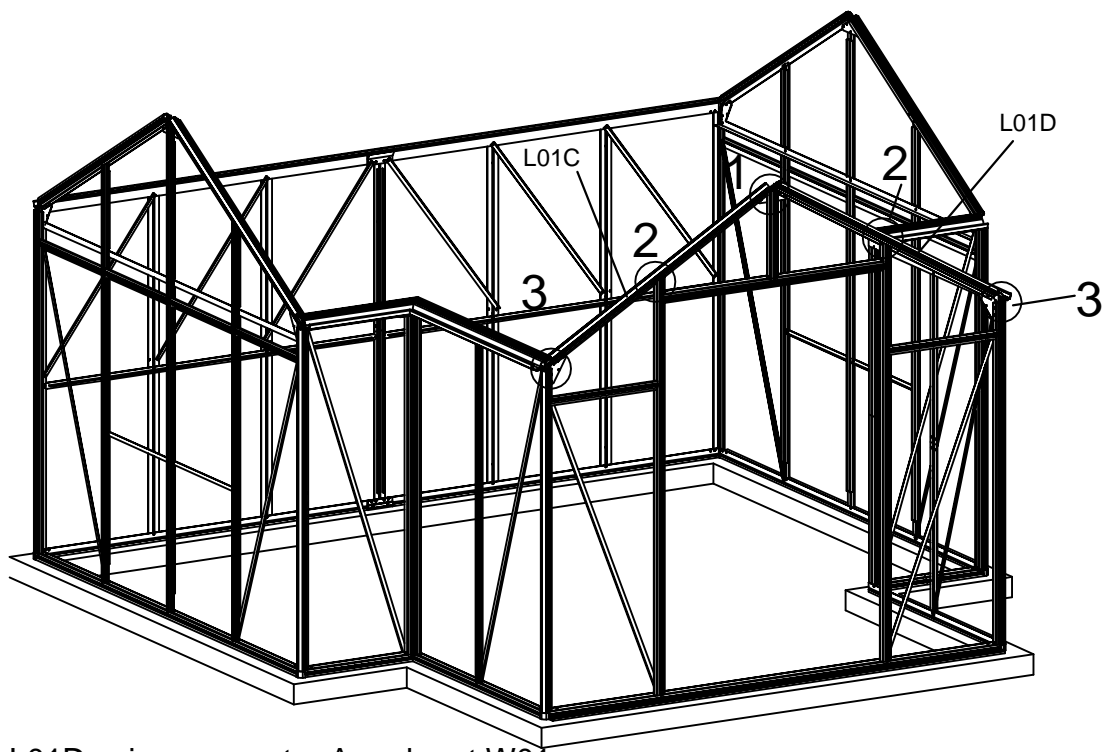


Connect L01B to L01D and L01A to L01C using connector A and part W01, then tighten them with the nuts and bolts provided.

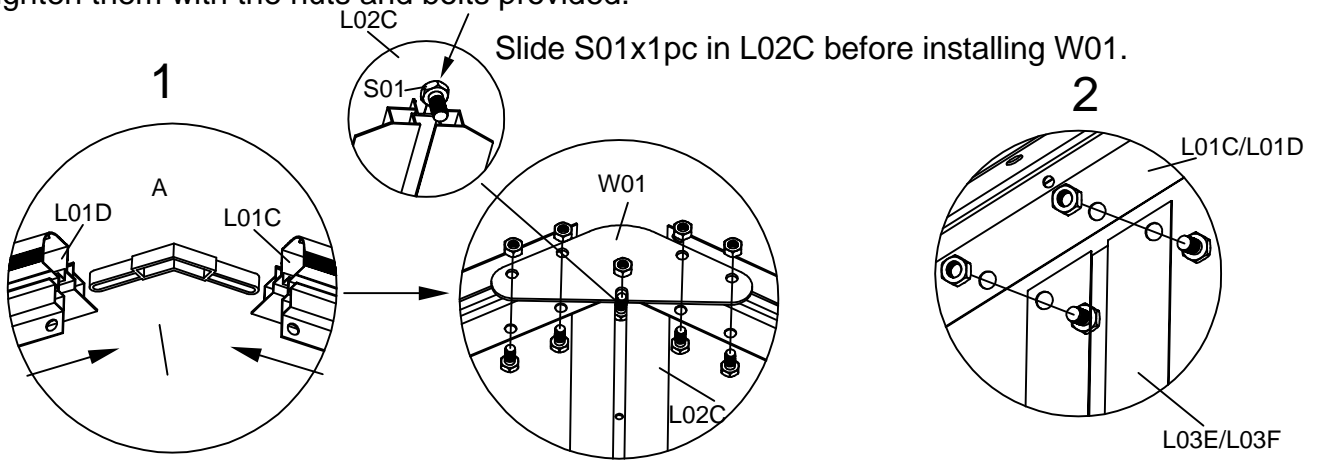


Install the door and frames as shown below.

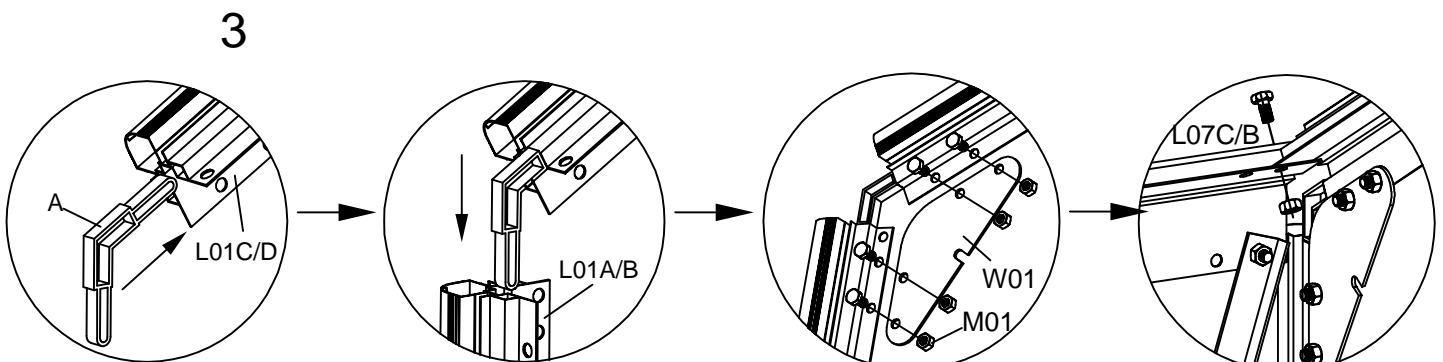




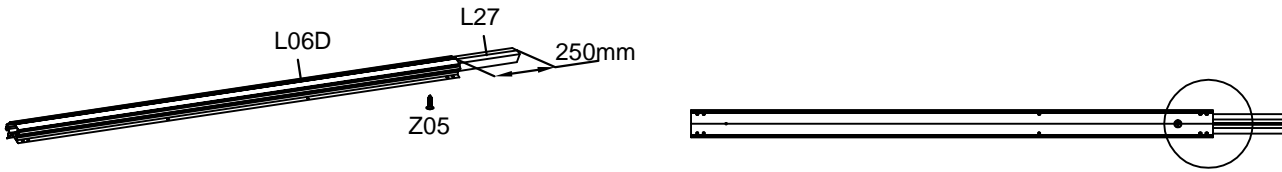
Install L01C and L01D using connector A and part W01, then tighten them with the nuts and bolts provided.



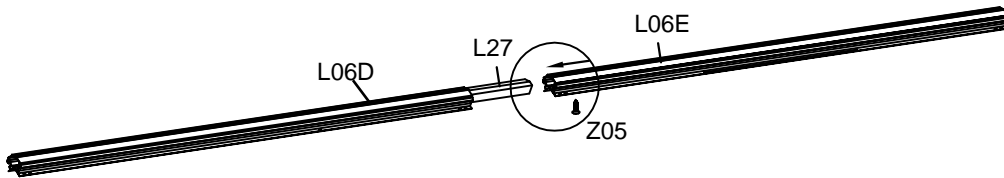
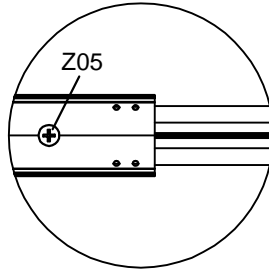
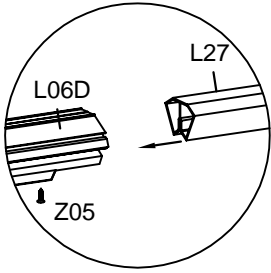
Connect L01B to L01D and L01A to L01C using connector A and part W01, then tighten them with the nuts and bolts provided.



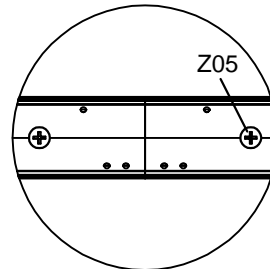
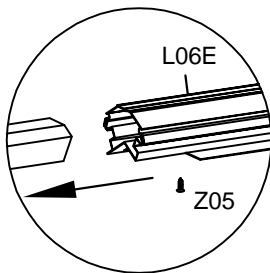
Roof Ridge Assembly

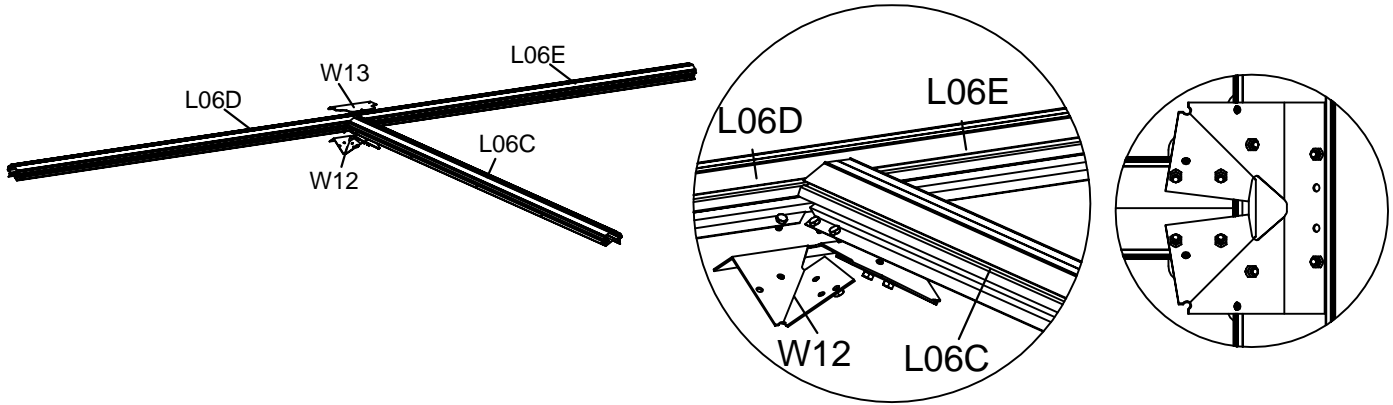


Insert half part of L27 into L06D, leaving 250mm length of L27. Then secure L27 and L06D with Z05.

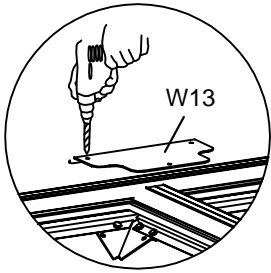


Insert another end of L27 into L06E, and ensure the junction works properly. Then secure them with Z05.

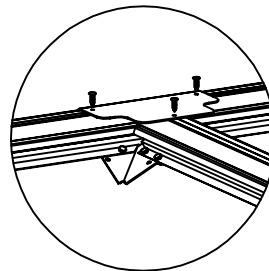




Connect L06D and L06E to L06C using part W12, then tighten them with the nuts and bolts provided.

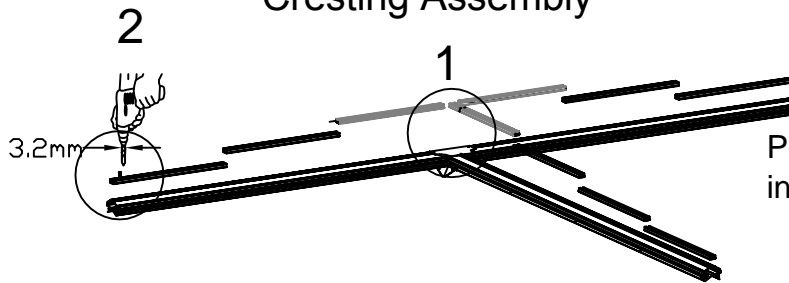


Put W13 on the middle of junction of L06D, L06E & L06C, then drill the holes on L06D, L06E & L06C through the holes on W13, Dia.3.2mm.

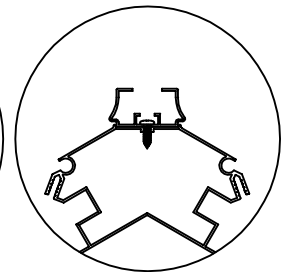
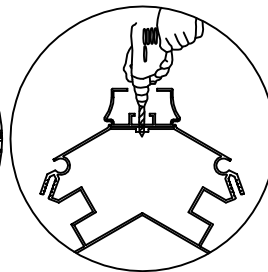
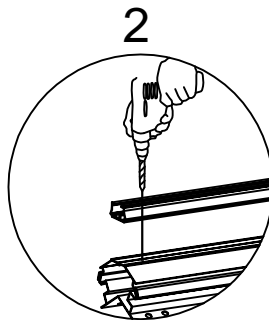
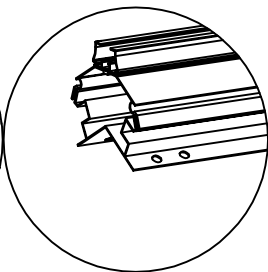
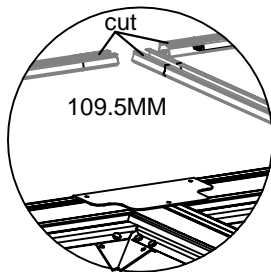


Tighten W13 with Z01.

Cresting Assembly

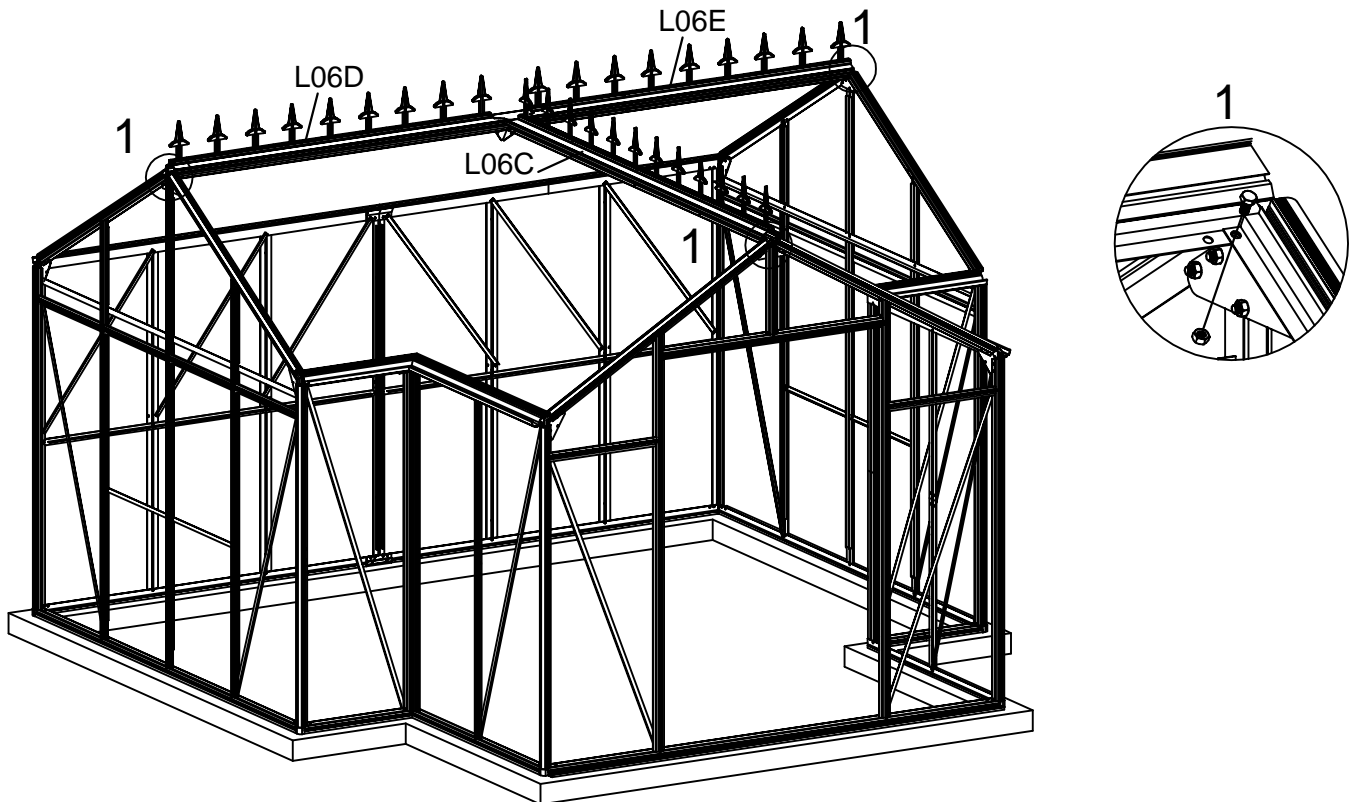
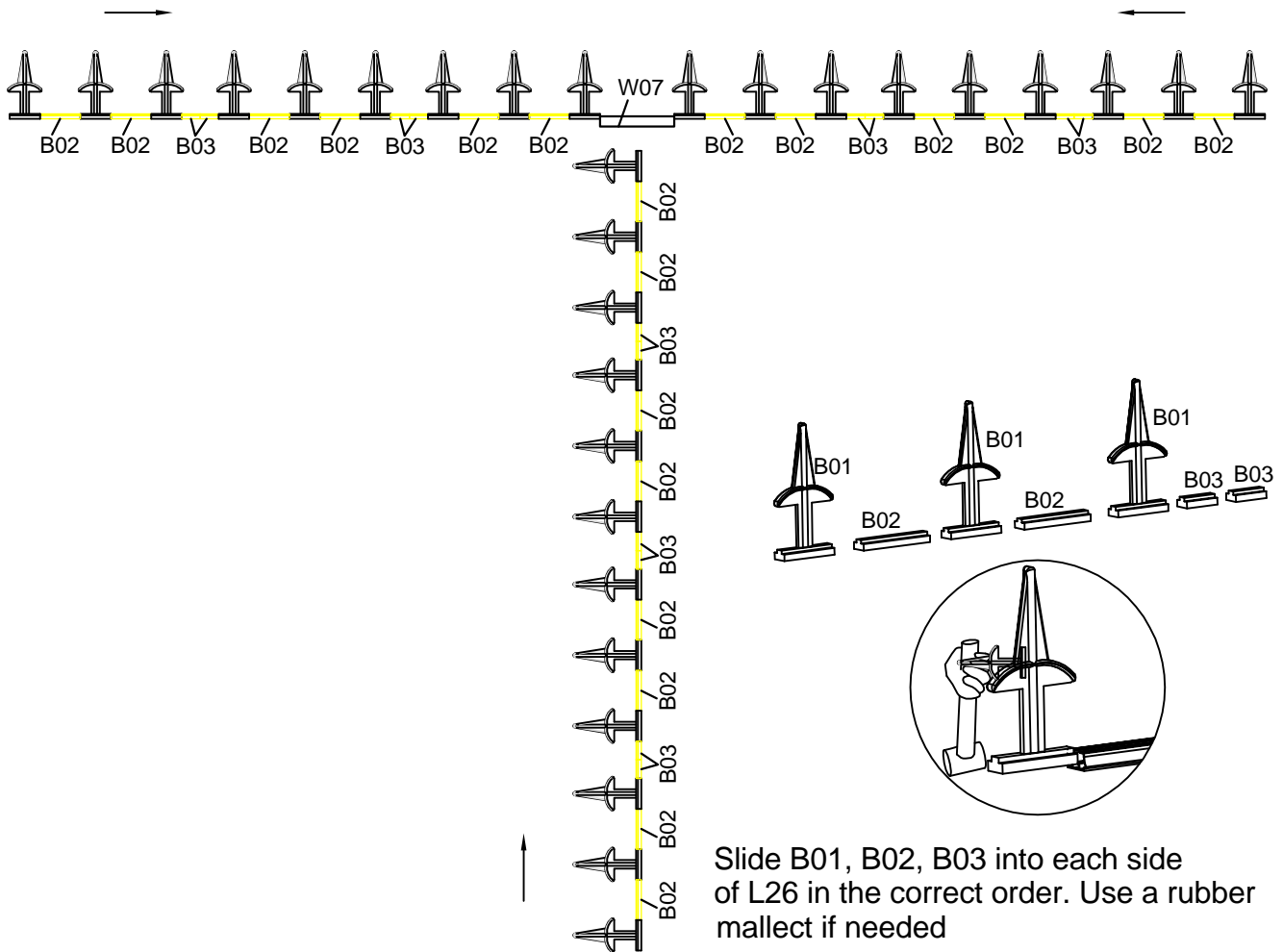


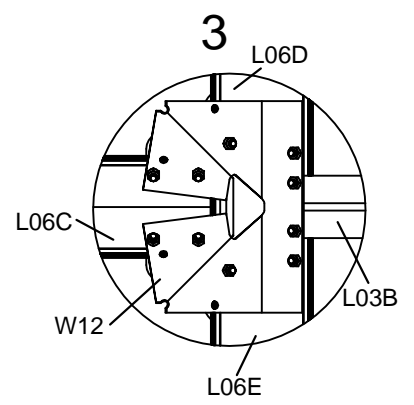
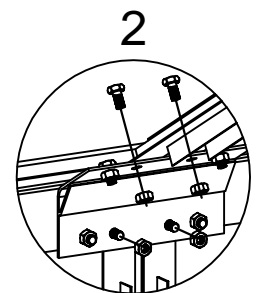
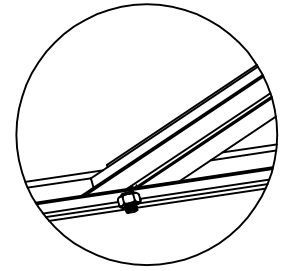
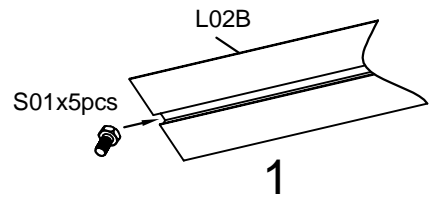
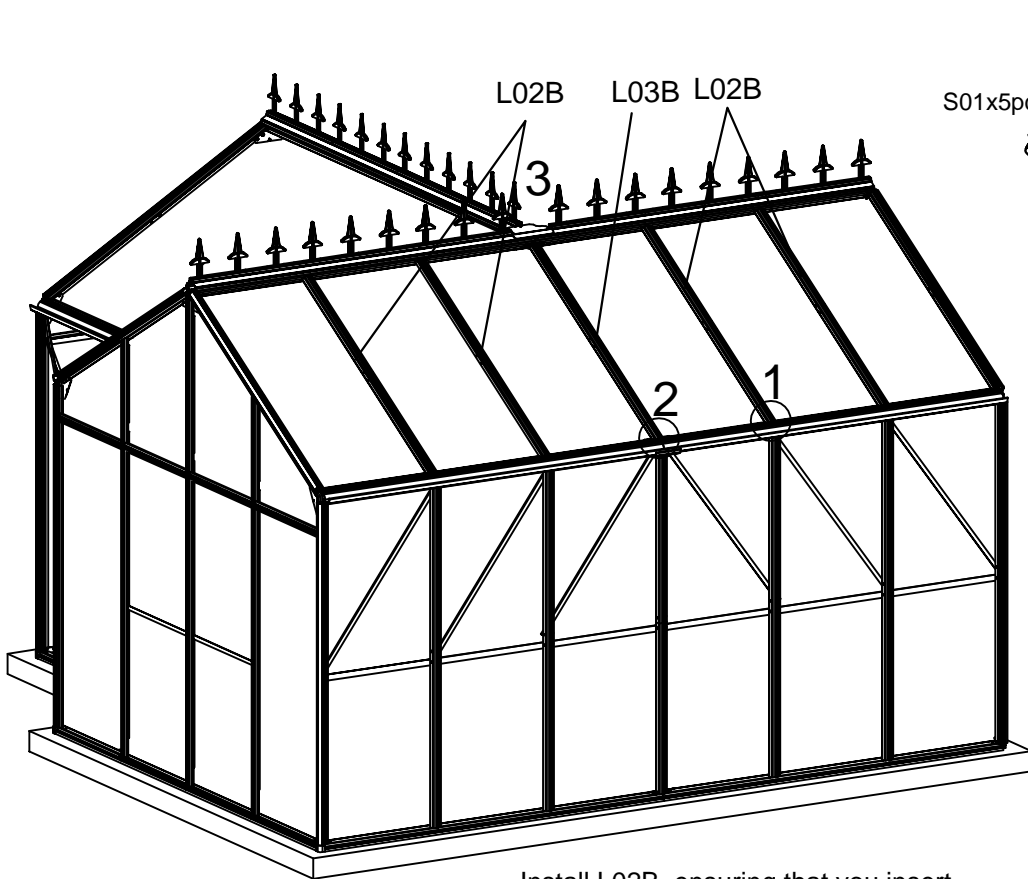
Please follow these steps if your order includes decorative cresting.



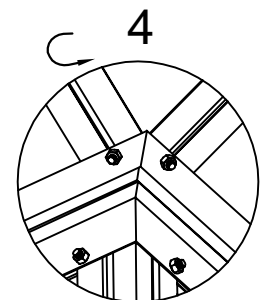
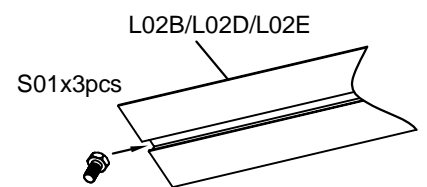
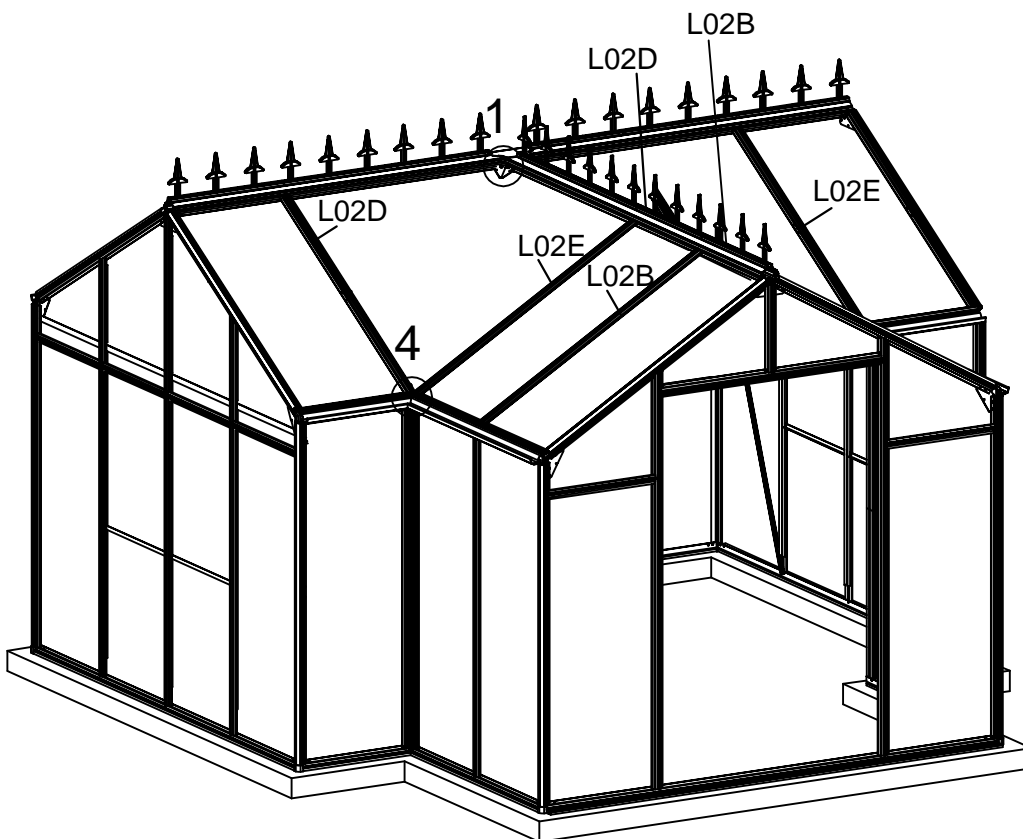
Fix parts L26 to the ridge L06D, L06E & L06C making sure that L26 matches the length of L06D, L06E & L06C. Cut L26 if necessary.

Drill one hole to each side of L26, approximately 3mm diameter and 150mm away from the centre. Drill through L26 and into the ridge L06D, L06E & L06C and then secure the cresting using Z01 screws.

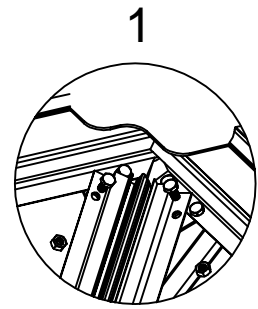
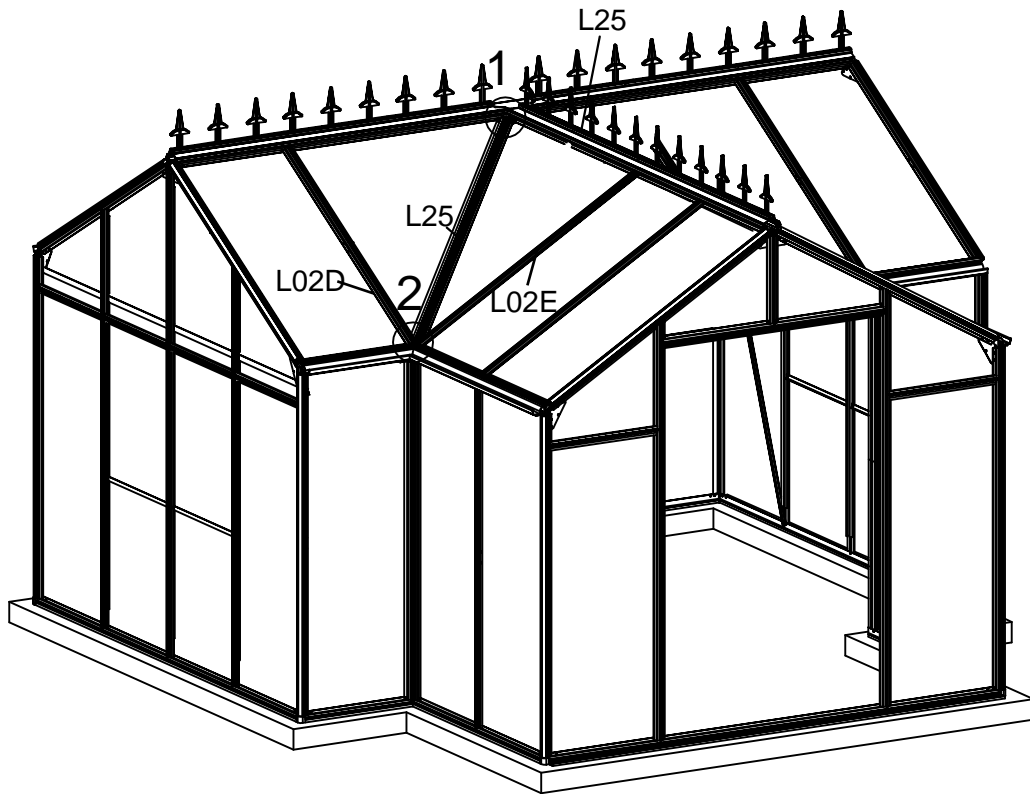




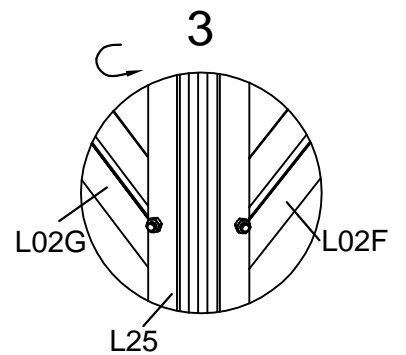
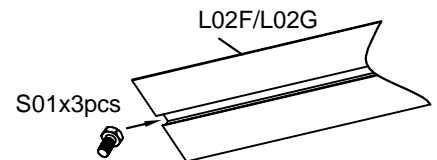
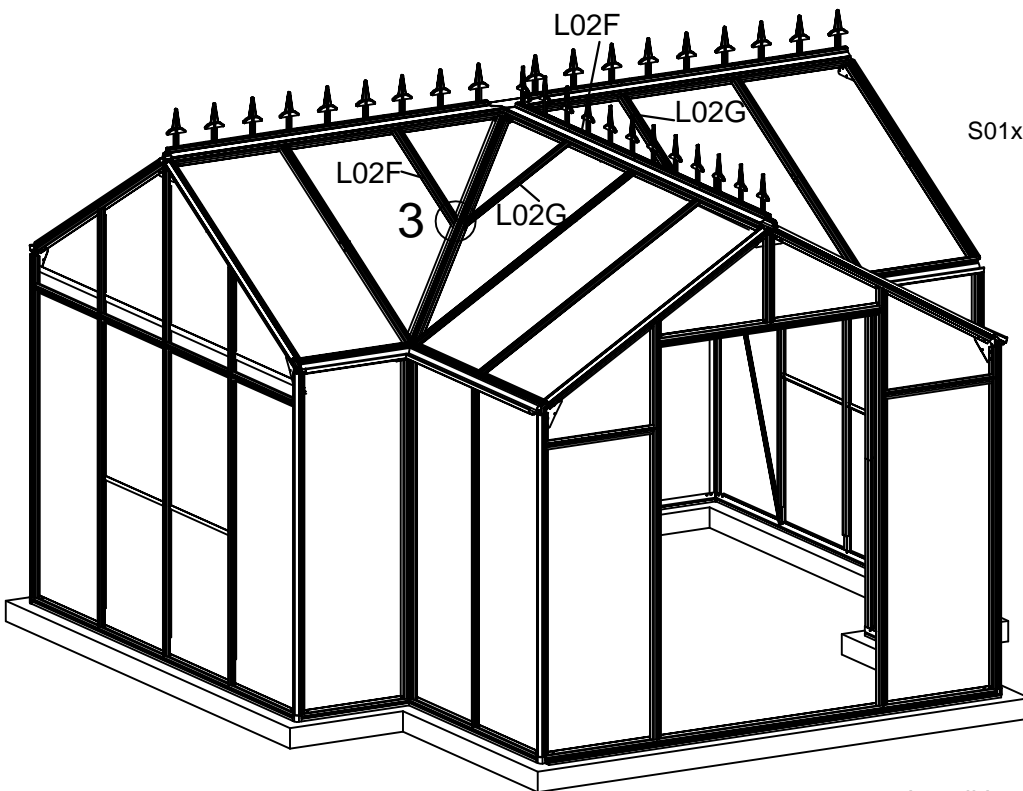
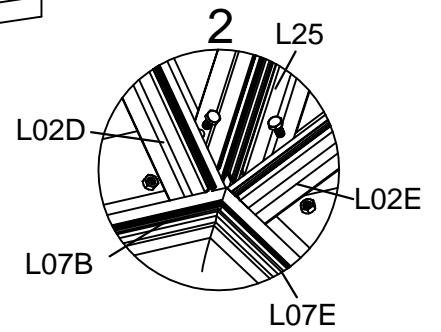
Install L02B, ensuring that you insert 3 extra bolts in the channel, which are needed later to fix the bracing.



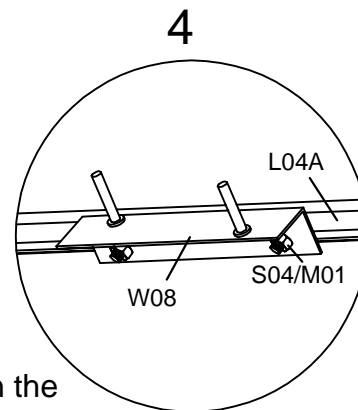
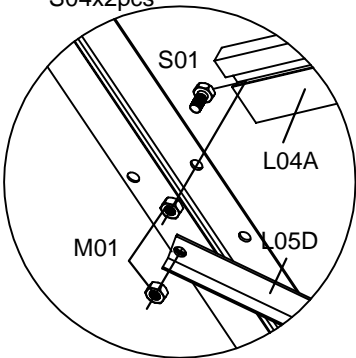
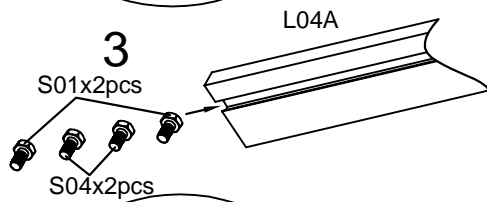
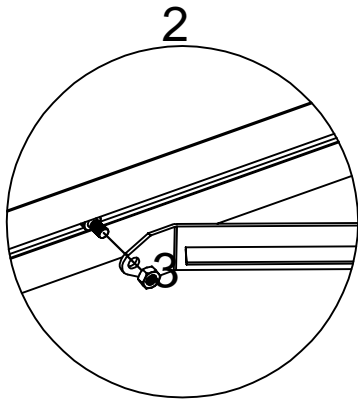
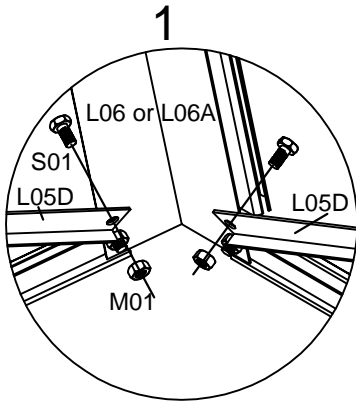
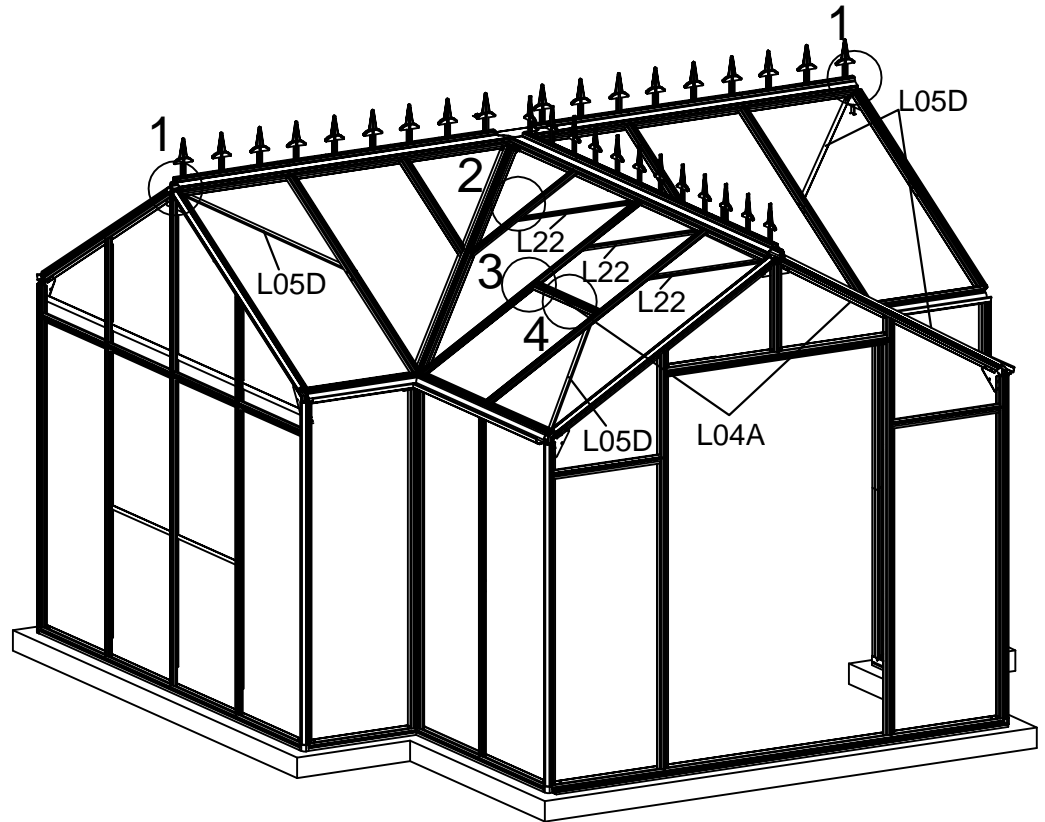
Install L02B/L02D/L02E, ensuring that you insert 1 extra bolt in the channel, which are needed later to fix the bracing.



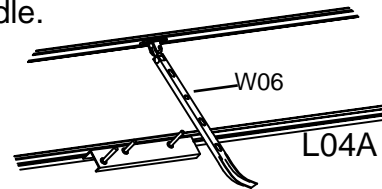
Connect L25 to L02D & L02E with bolts and nuts.
Do the same on the other side.



Install L02G & L02F, ensuring that you insert
1 extra bolt in the channel, which is
needed later to fix the bracing.

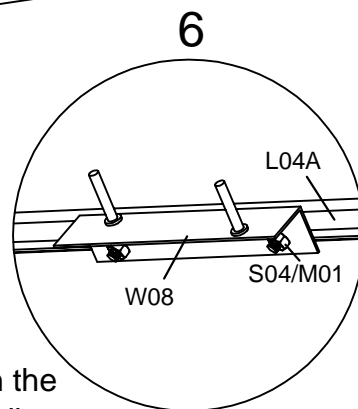
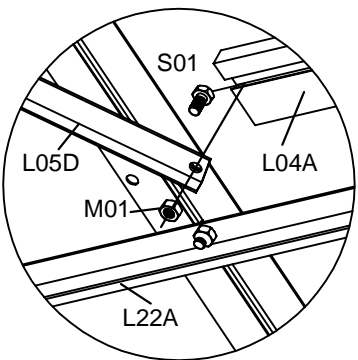
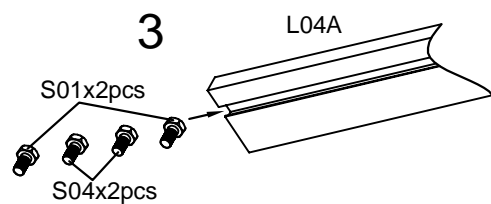
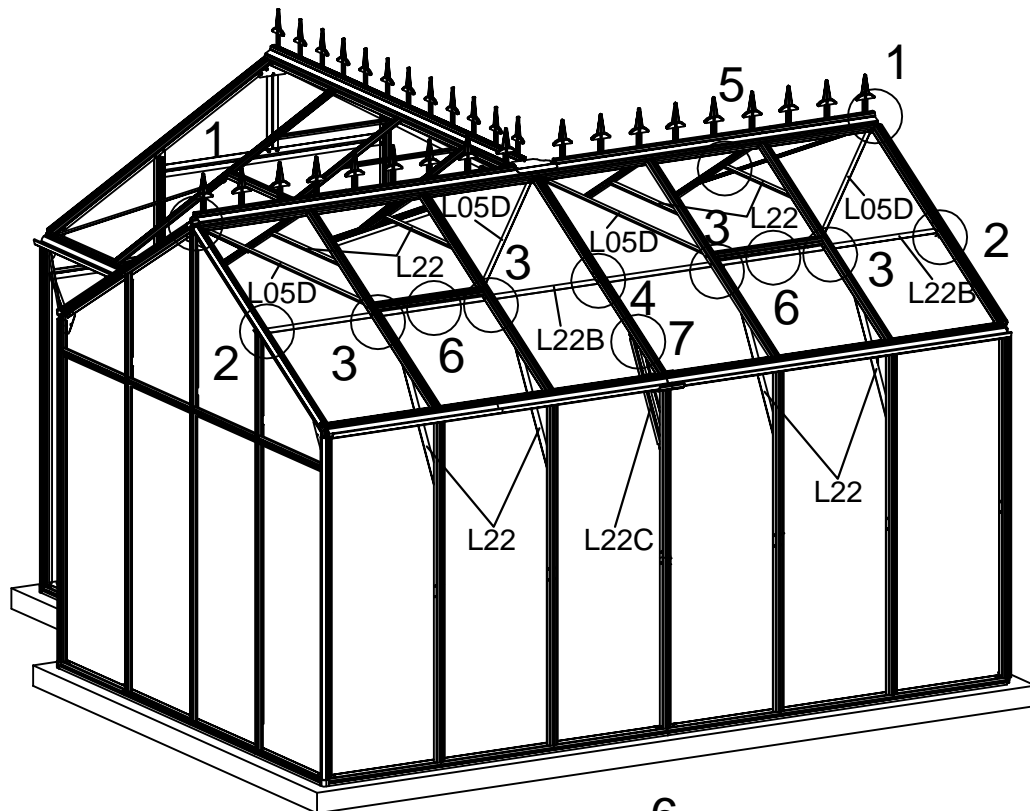
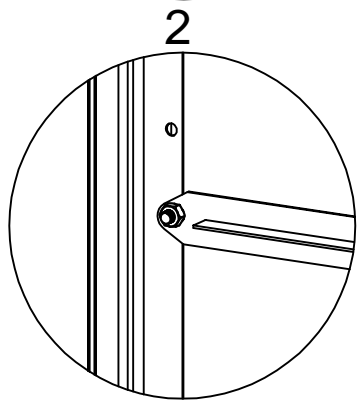
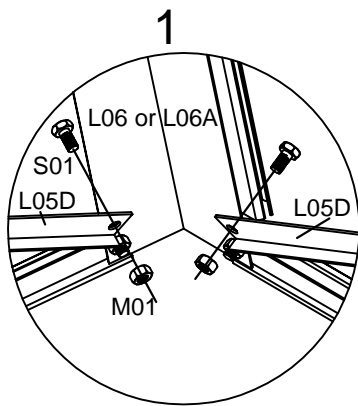


Ensure 2 bolts are inserted in the bolt channel for the W08 handle.

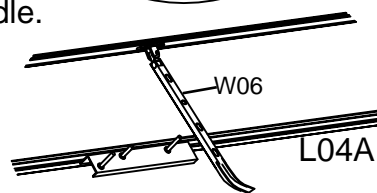


Close the window vents, then adjust W06 and W08 to the correct positions and secure W08.

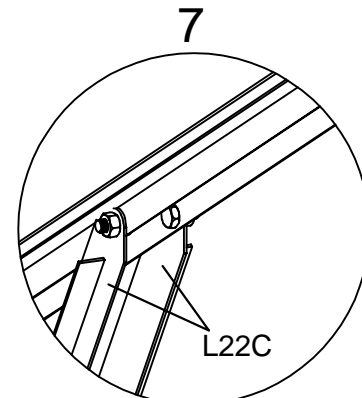
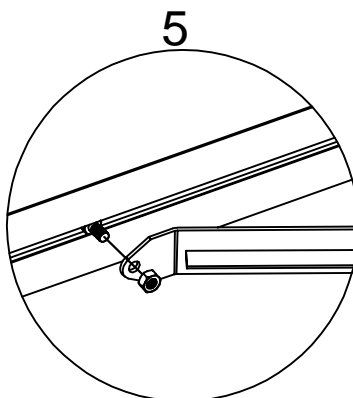
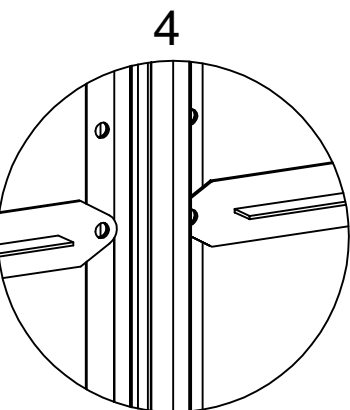
Install the L04A vent frame profile and the W08 handle frame profile.
 Handle frame W08 is not required if auto openers are installed.
 Install L04A and L05D at the same time.
 When installing L05D ensure that you leave one bolt in the bolt channel for L22.
 Install the L22 ridge and eaves struts.
 The L22 struts are fitted horizontally at the ridge and diagonally at the eaves.
 Finally install the L22B to the roof of the greenhouse.



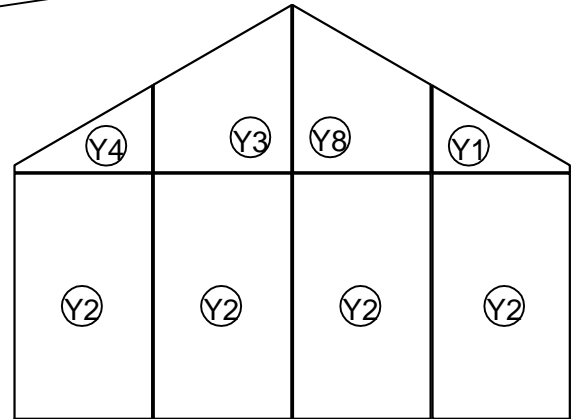
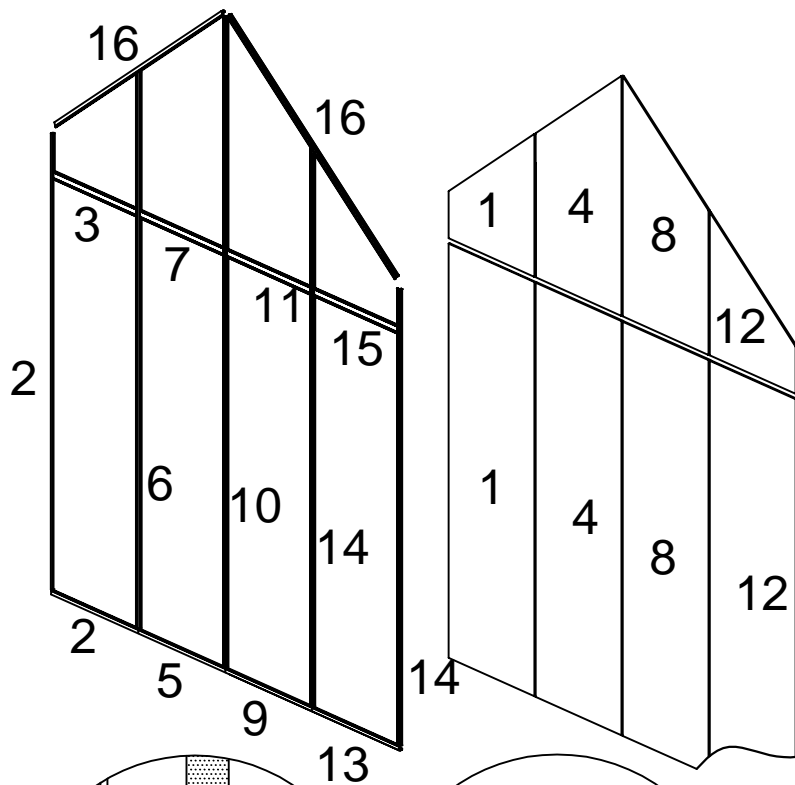
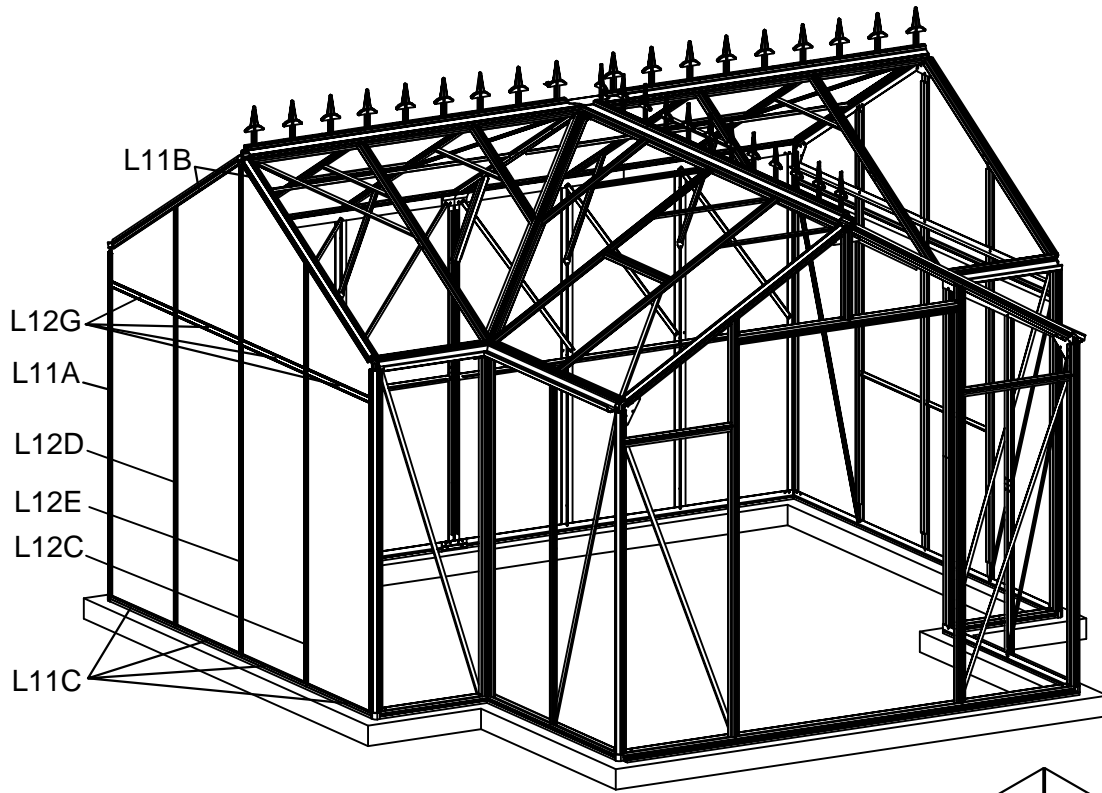
Ensure 2 bolts are inserted in the bolt channel for the W08 handle.



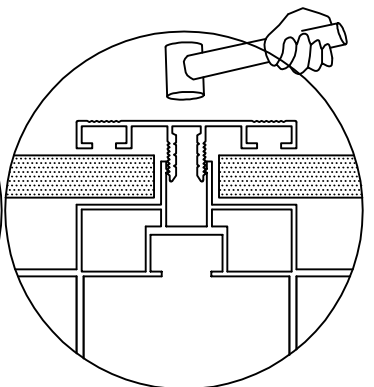
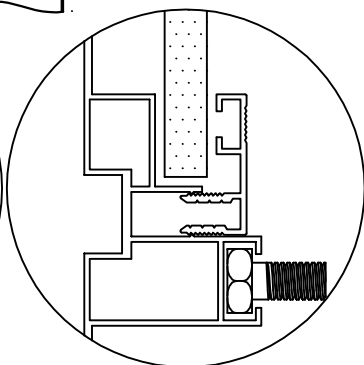
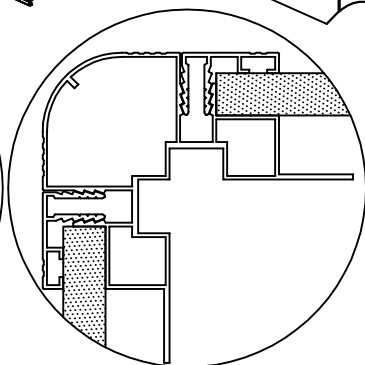
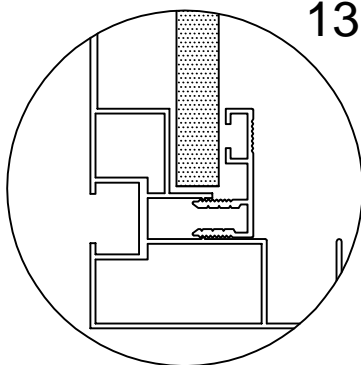
Close the window vents, then adjust W06 and W08 to the correct positions and secure W08.

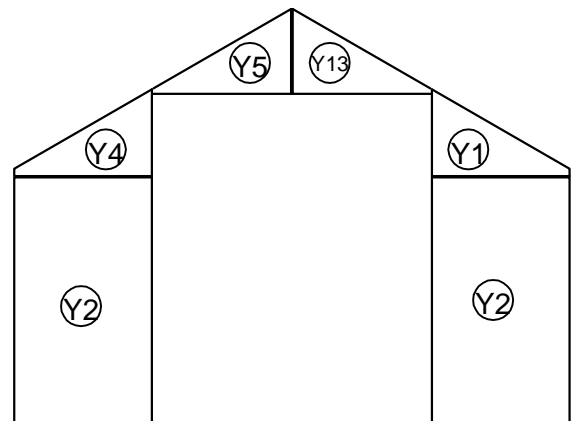
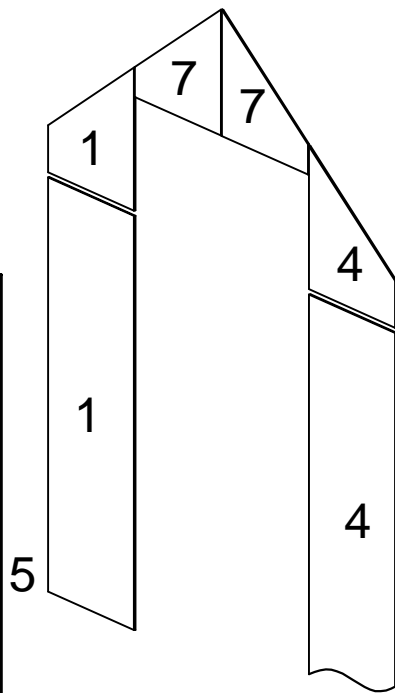
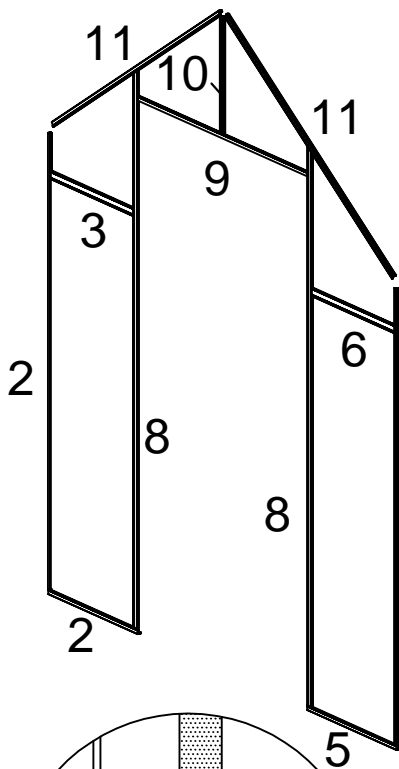
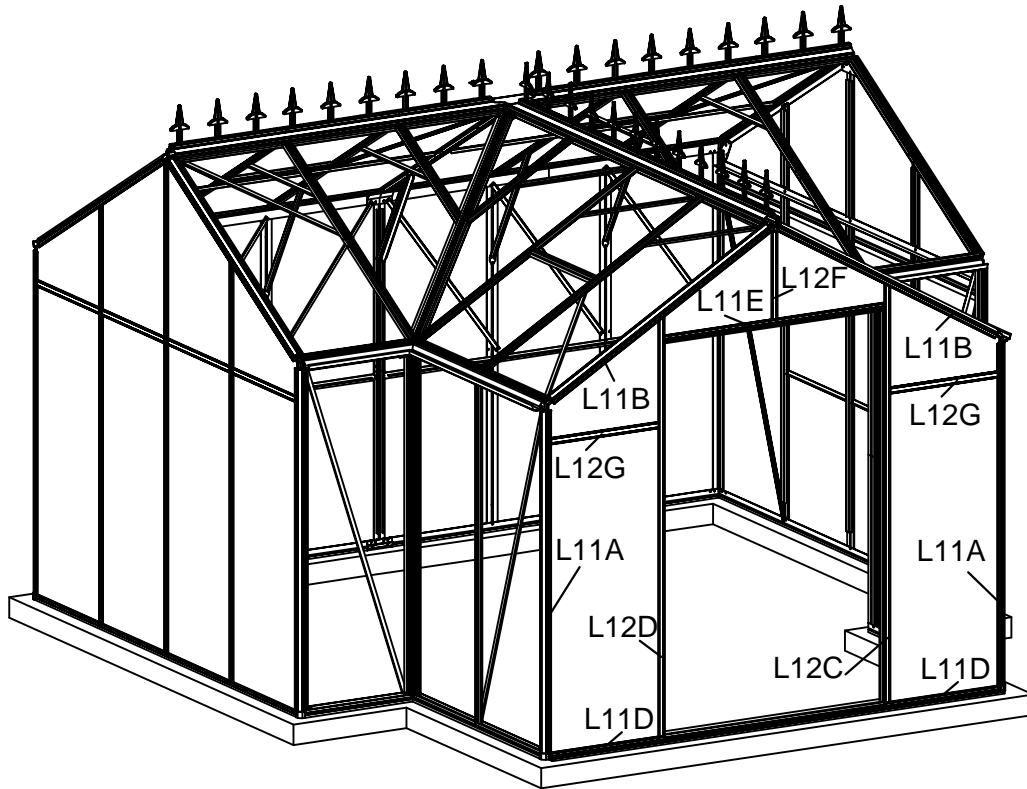


The frame is now complete. Once you start the glazing ensure that you complete it. Do not leave the greenhouse half glazed as this may cause damage.

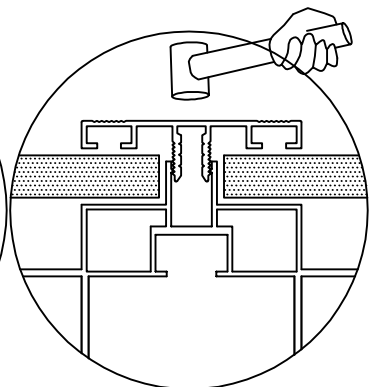
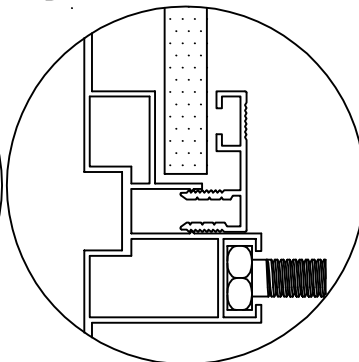
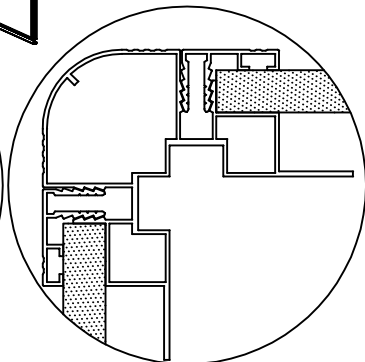
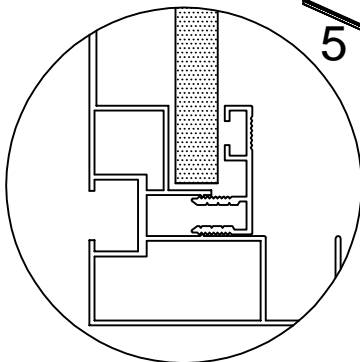


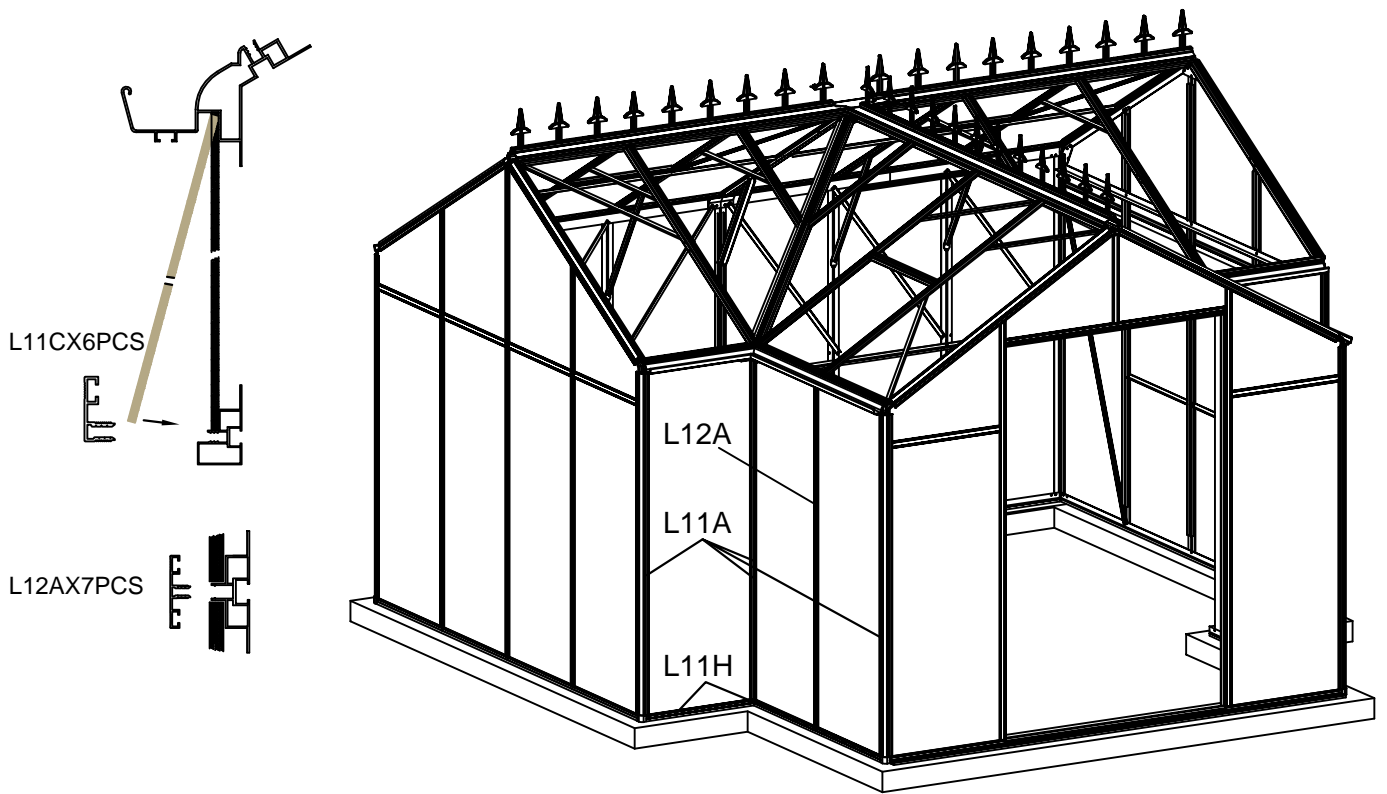
First the polycarbonate glazing panels should be loosely retained by the bar capping profiles as shown in the detail drawings. Next tap the bar capping gently into position with a rubber mallet. Do the same on the other side.





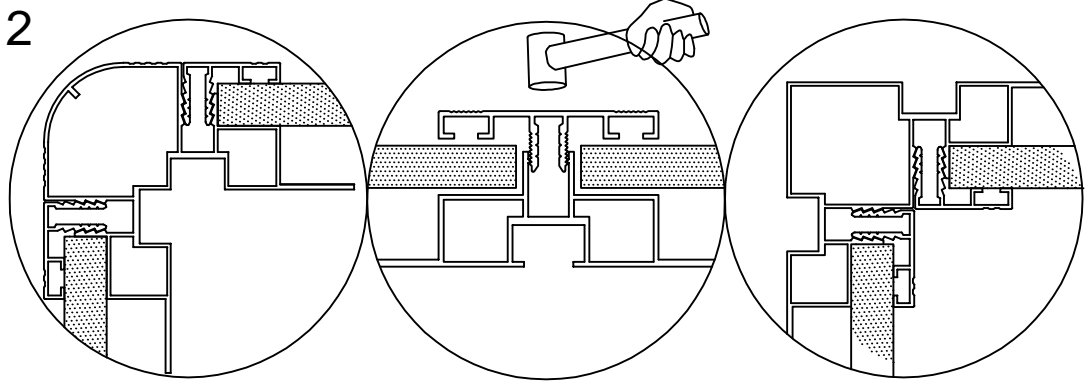
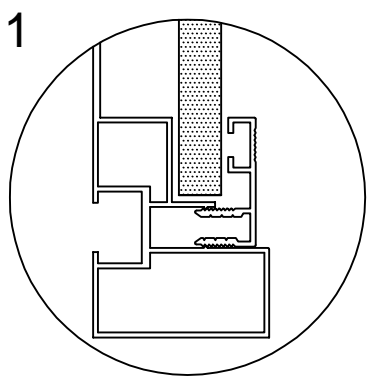
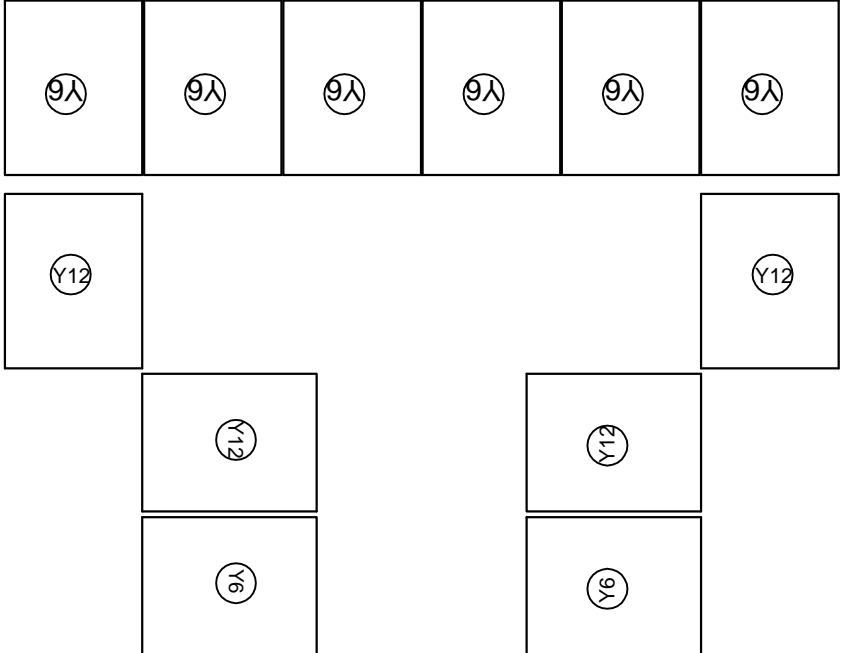
First the polycarbonate glazing panels should be loosely retained by the bar capping profiles as shown in the detail drawings. Next tap the bar capping gently into position with a rubber mallet.



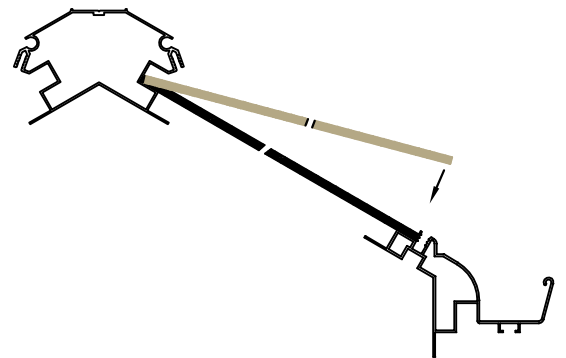
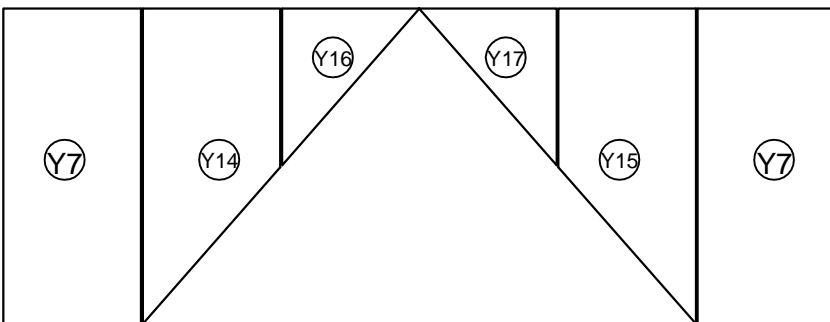
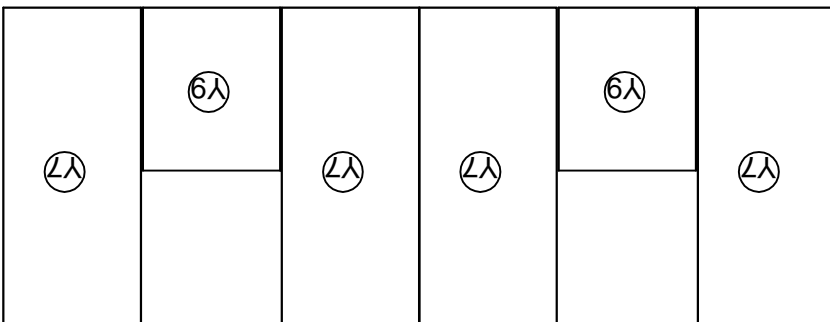
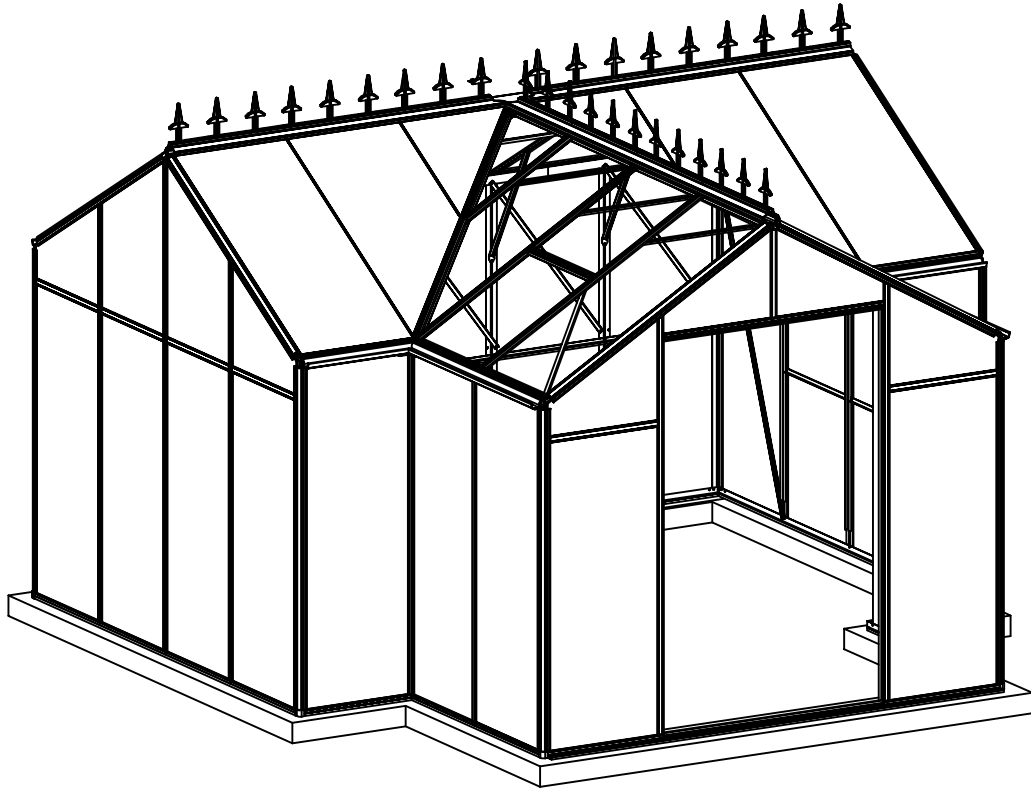


L11CX6PCS

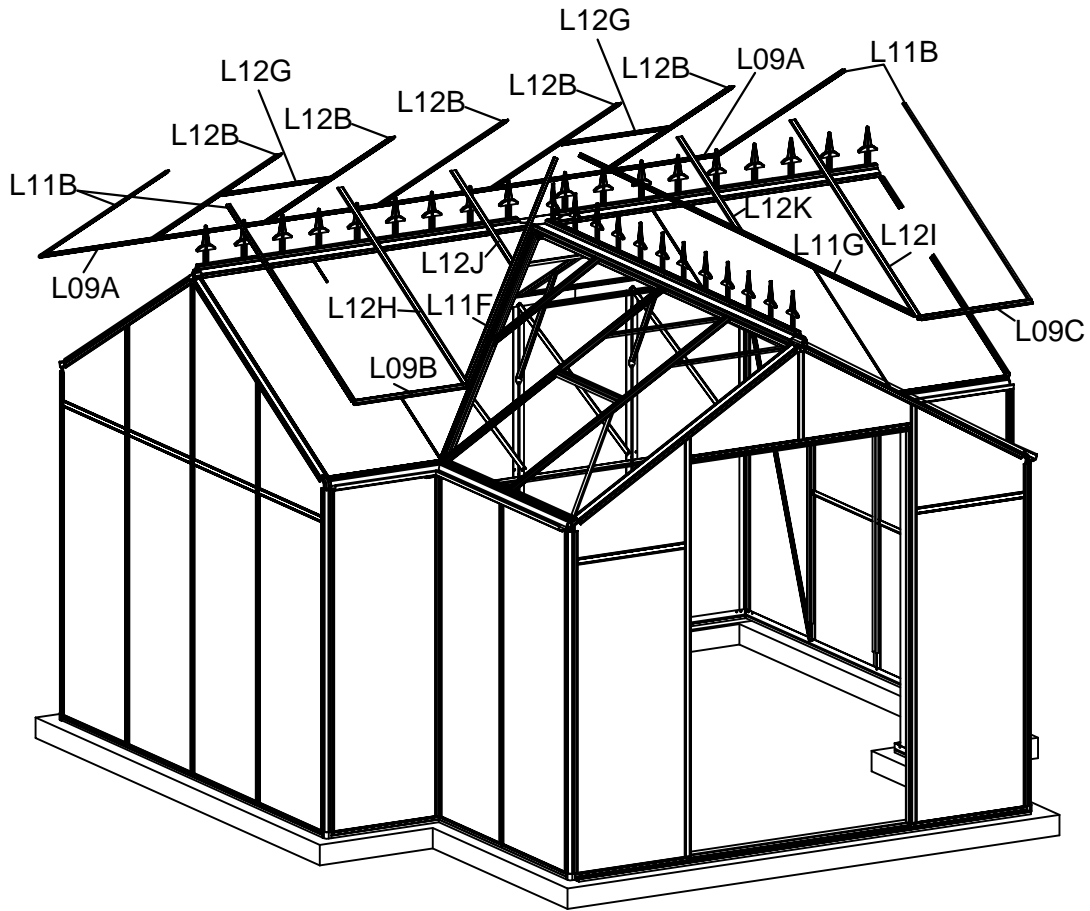
L12AX7PCS



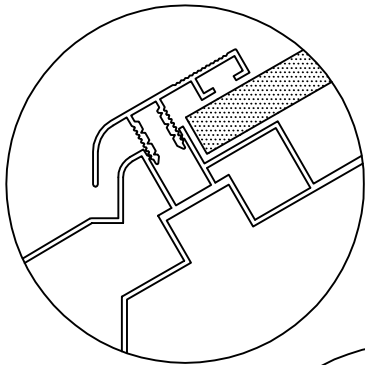
Slide all Y6 polycarbonate panels into place. The top of the panels should be pushed up behind the gutter profile, then pushed in against the base profile as shown in the detail drawings. The panels should be loosely retained by the glazing bar capping L11A, L11C, L11H and L12A then tap the bar capping gently into the channels of each frame profile with a rubber mallet.



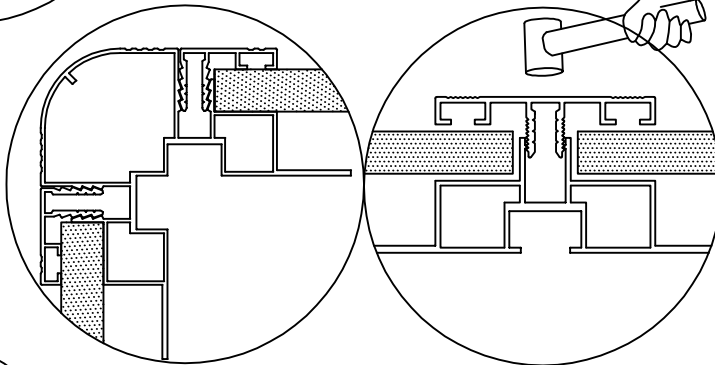
Install all of the roof panels by inserting the panel into the ridge, then dropping it onto the gutter profile (see Fig. 1 above).



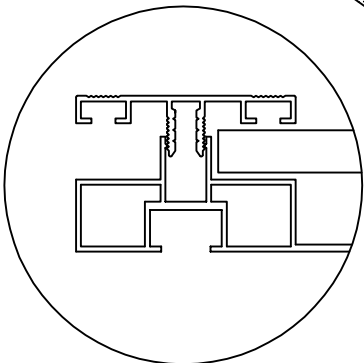
1



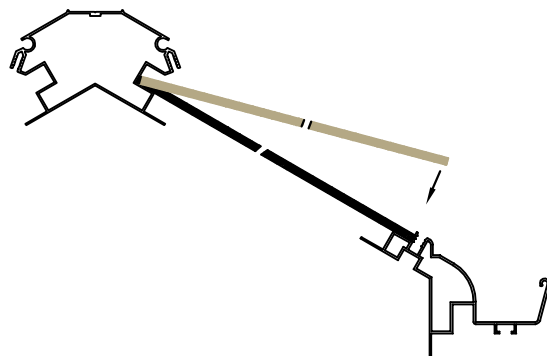
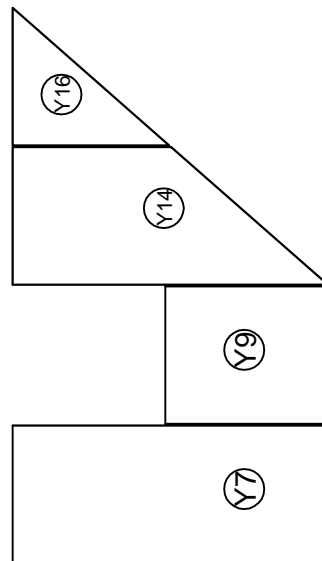
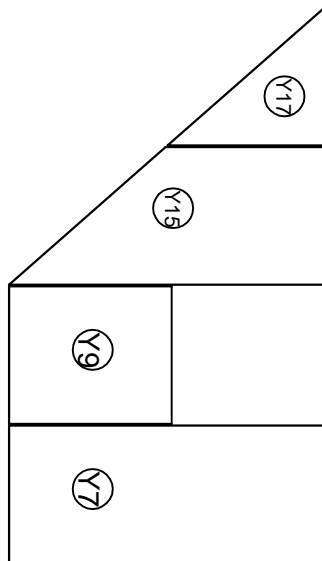
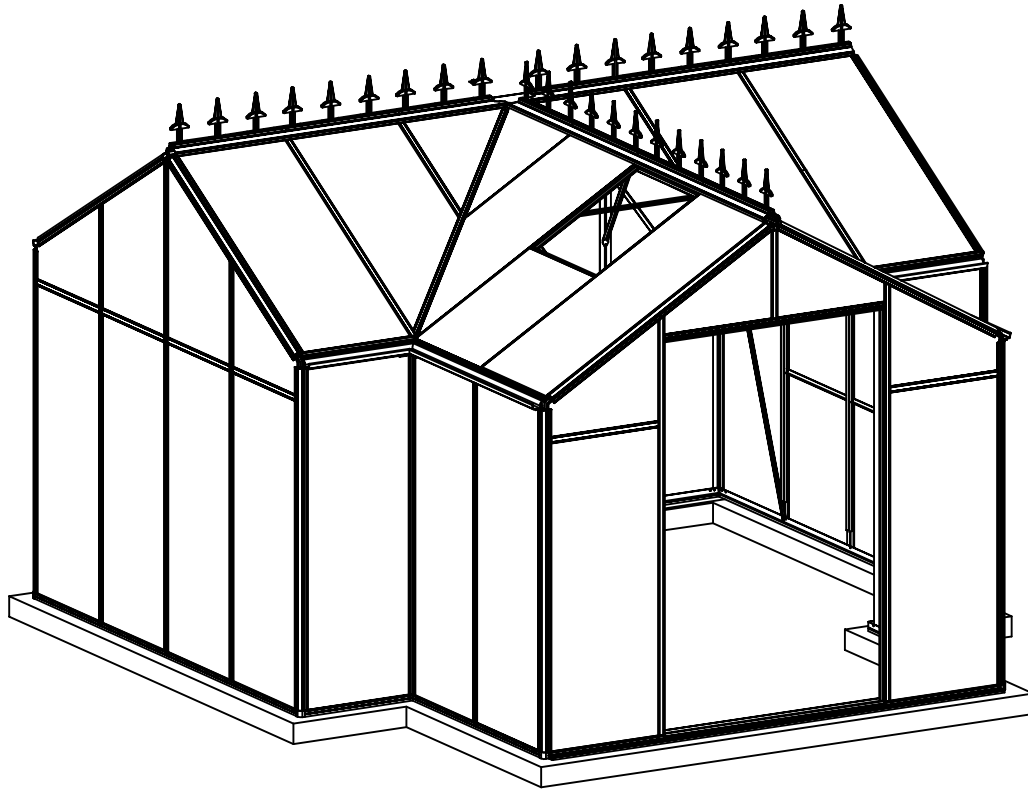
2

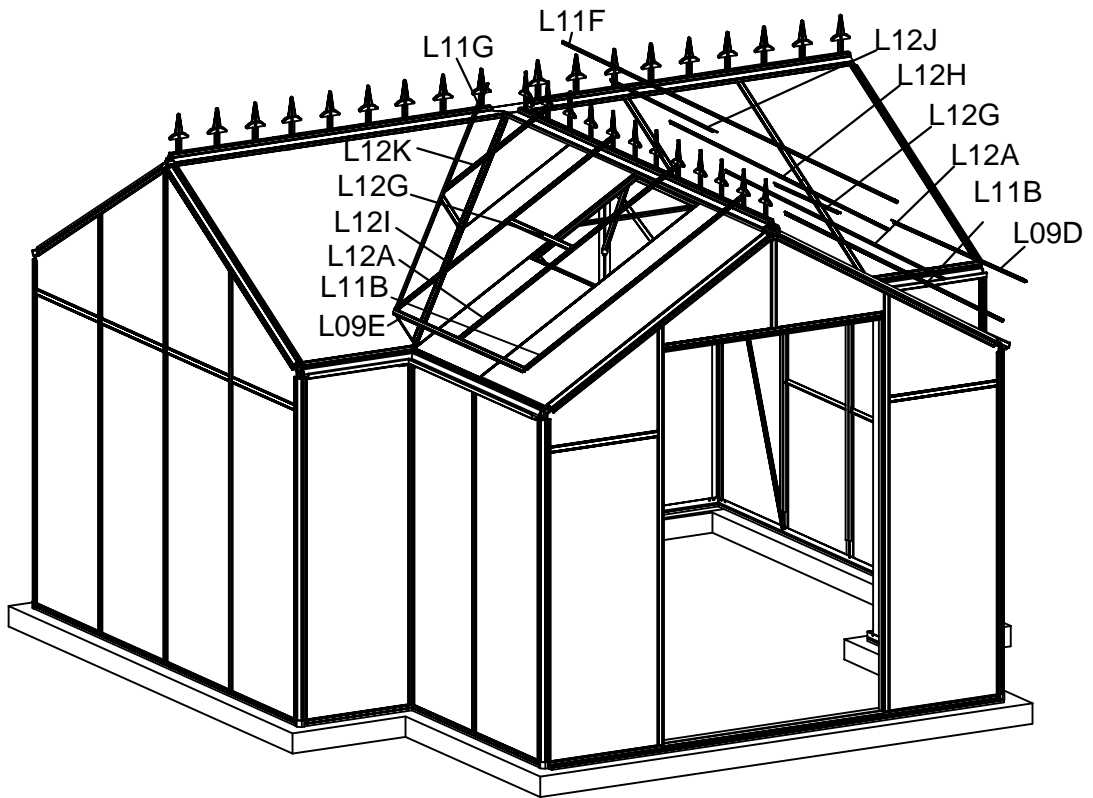


3

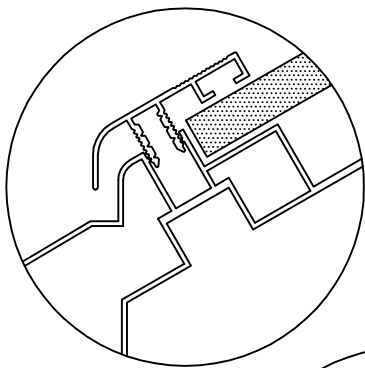


Tap all of the bar capping into the channels of each frame profile with a rubber mallet as shown in the detail drawings.

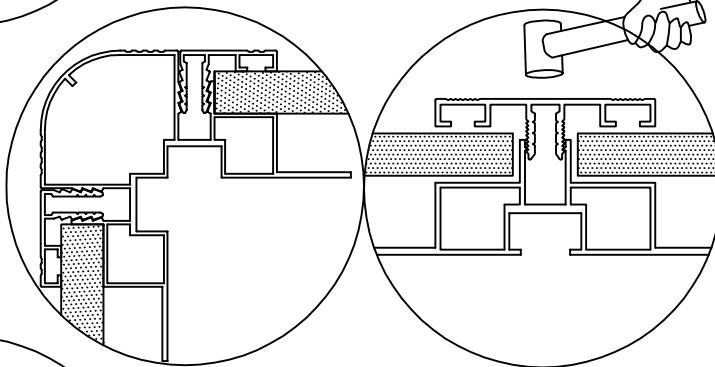




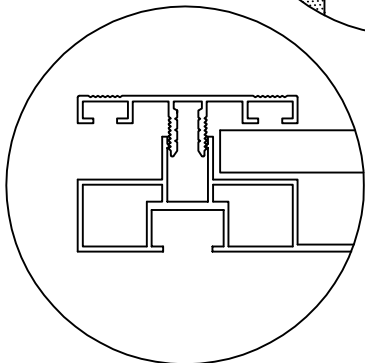
1



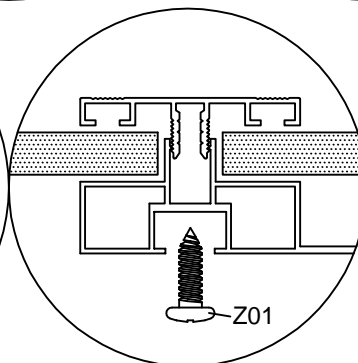
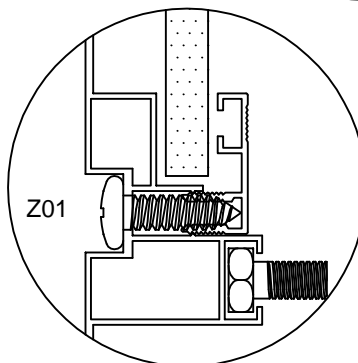
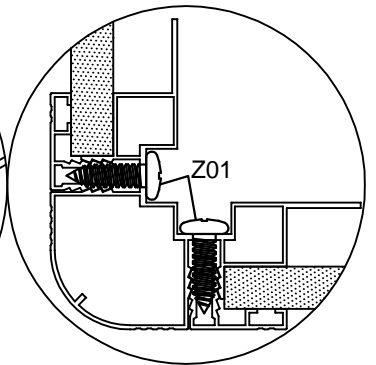
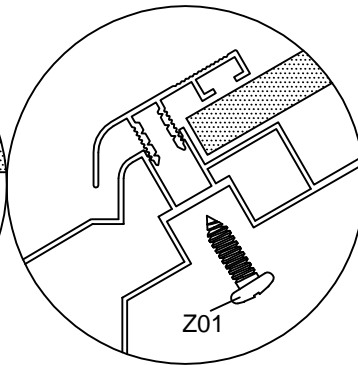
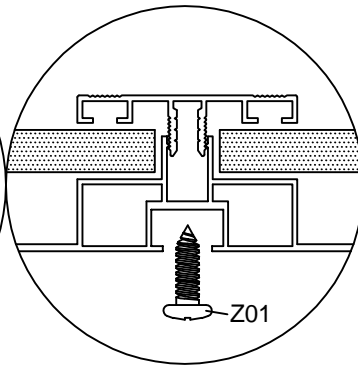
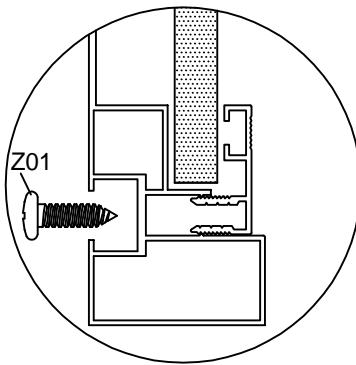
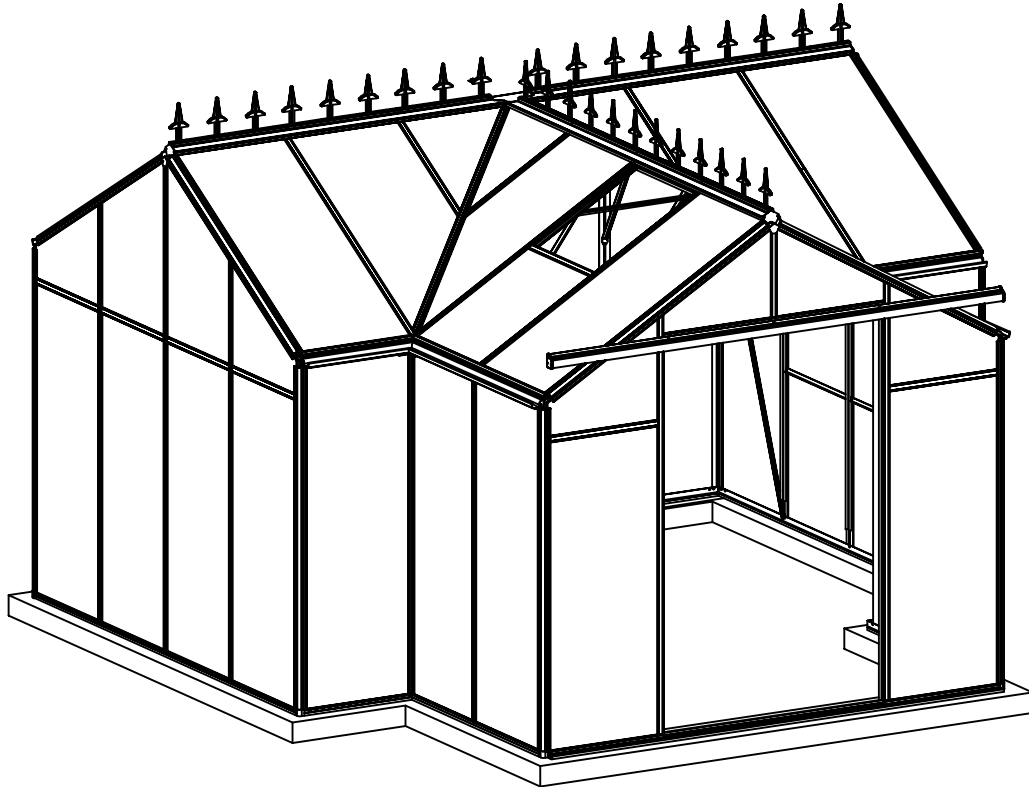
2



3

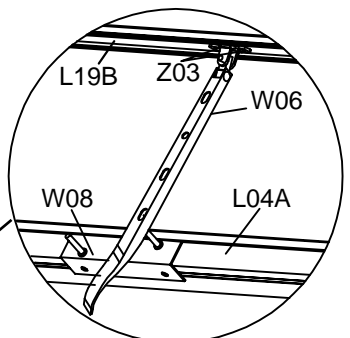
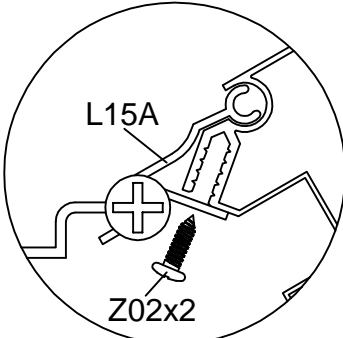
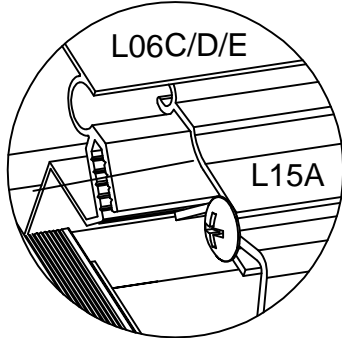
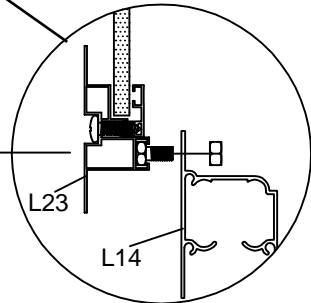
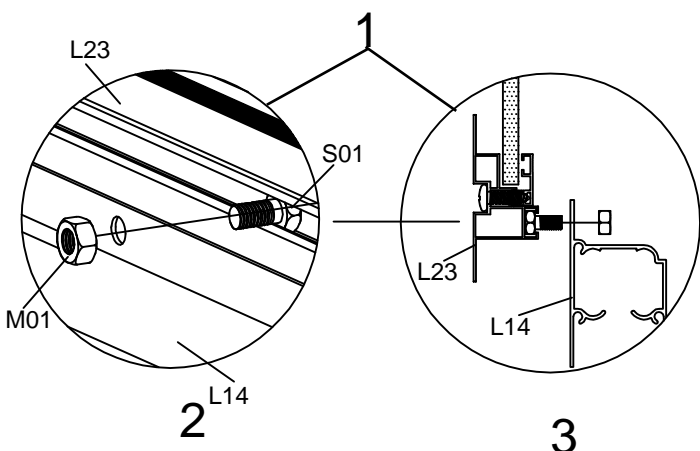
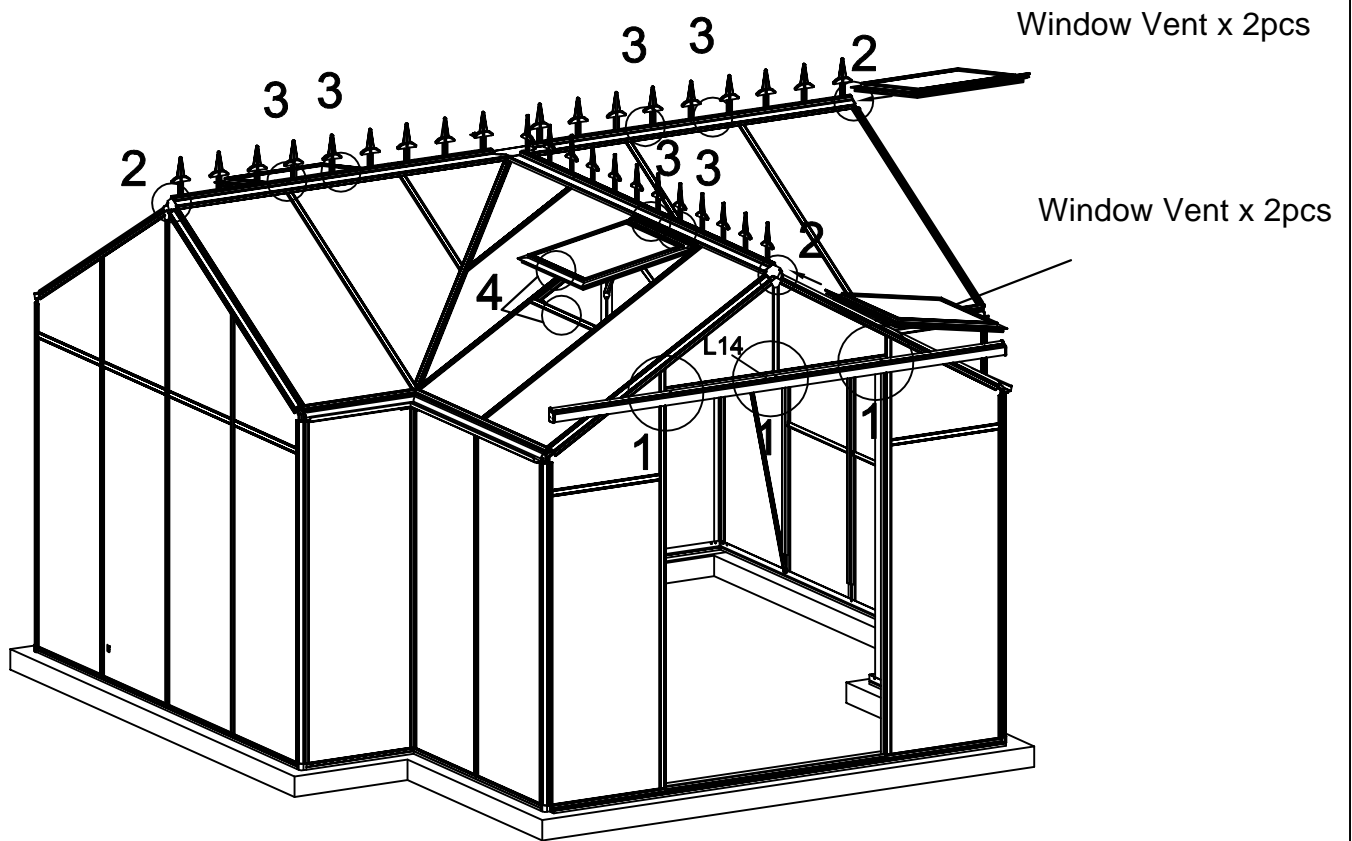


Tap all of the bar capping into the channels of each frame profile with a rubber mallet as shown in the detail drawings.



Fix every bar capping profile securely in position using Z01 screws as shown in the detail drawings.

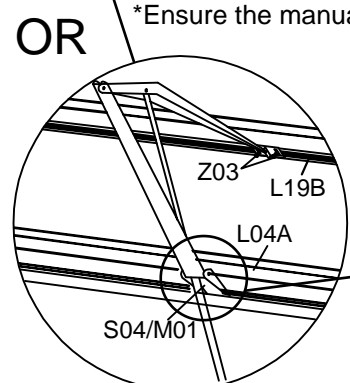
* Be careful not to over tighten but ensure the screws are securely fixed. Ensure the bar capping profiles are pushed firmly against the panel before installing the screws.



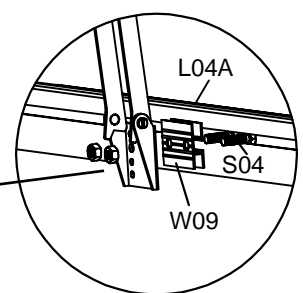
Manual Opener



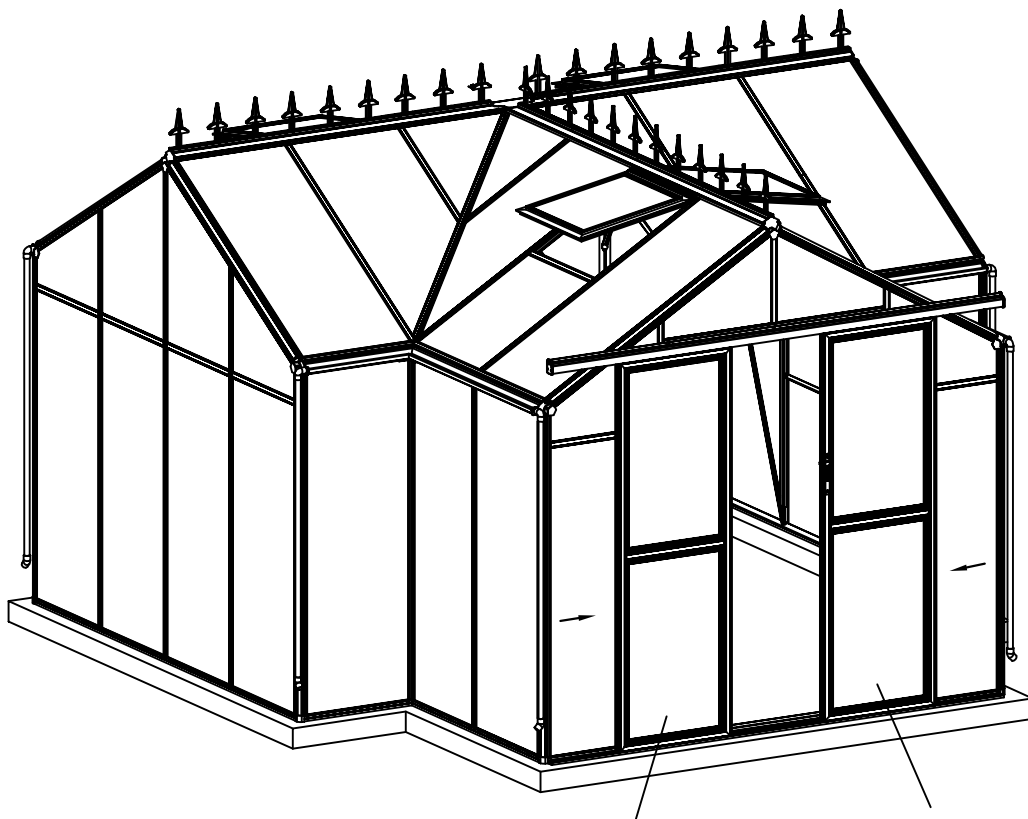
*Ensure the manual vent is closed as shown.



Automatic Opener



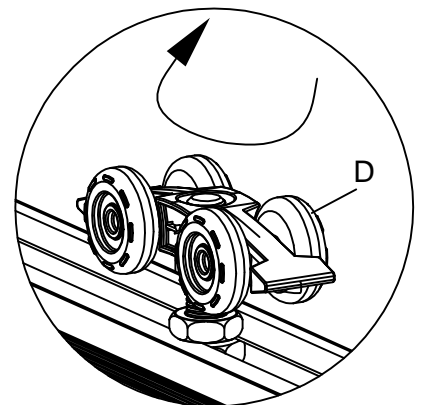
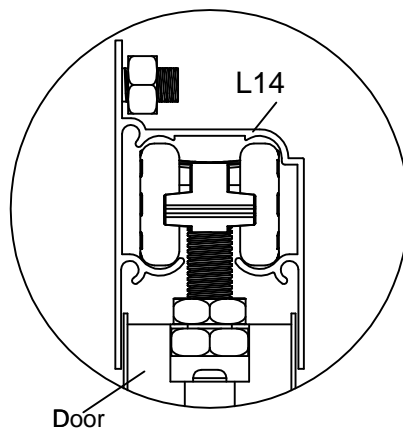
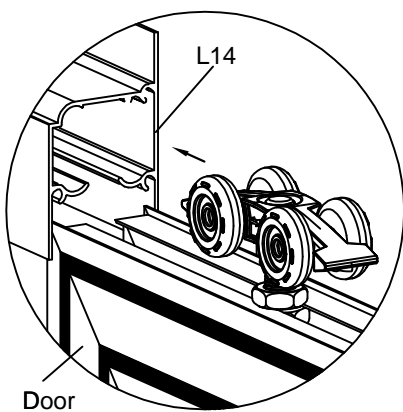
Slide L15A along the groove in the L06C, L06D & L06E ridge and fix it in the correct position using Z02 screws.

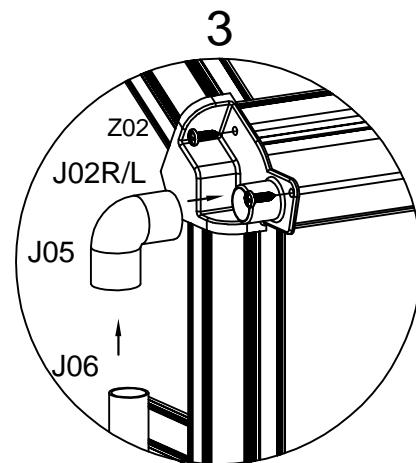
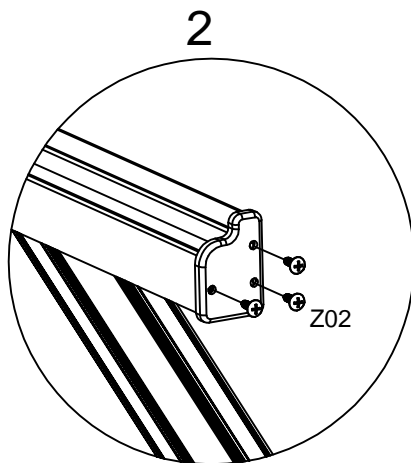
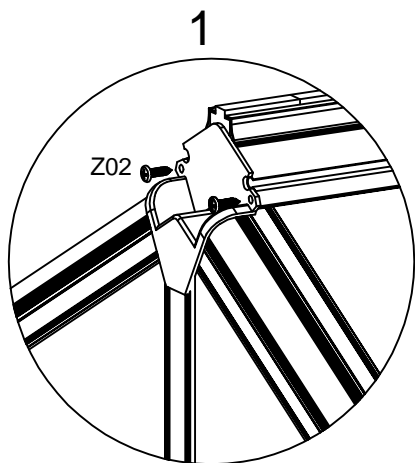
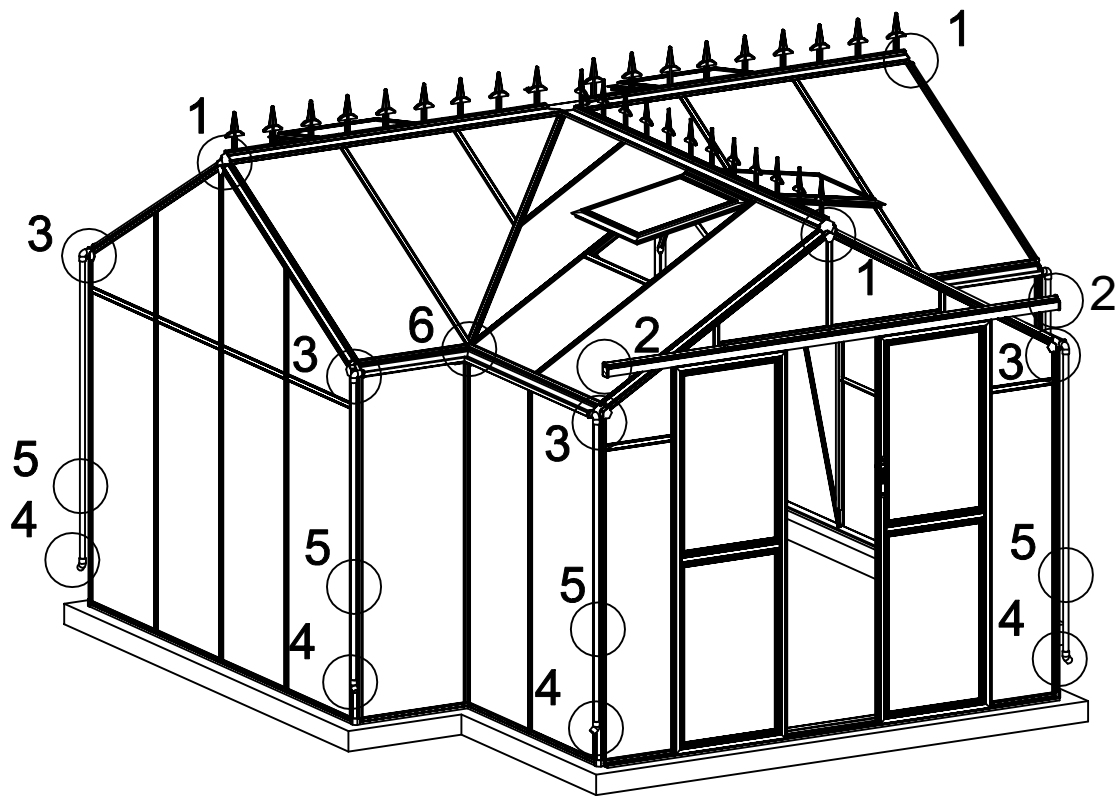


Left Door

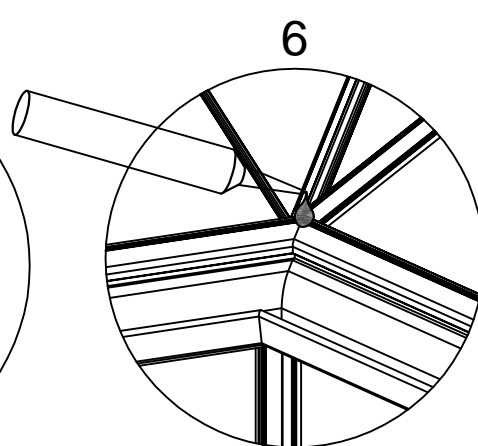
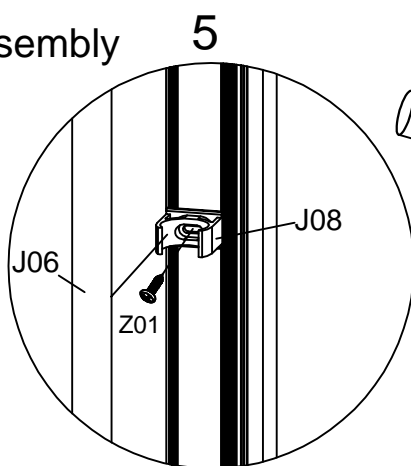
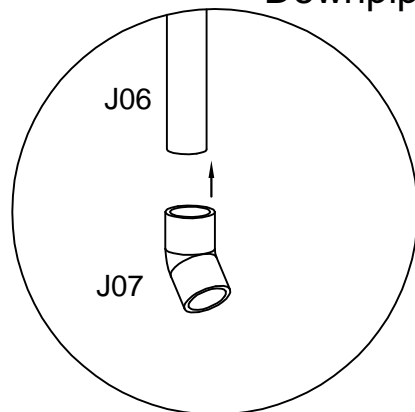
Right Door

Rotate D, the roller wheels, to adjust the height of the door so it does not bind or rub on the bottom track.





4 Downpipe Assembly



If you wish to eliminate leaks use glue when fixing the downpipe bends (not provided).

Drill a hole in L01A and L01B, approximately 3mm diameter and 700mm up from the bottom. Fix the J08 downpipe bracket with Z01 screws and then clip the J06 downpipe into the J08 bracket.

Fill the joining gaps in the aluminum sections with Silicone to avoid any leaks. (not provided).