

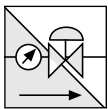
Hydraulic Pressure Control, On-Off Deluge Valve

Model: FP 400E-5DC

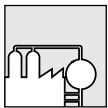


UL LISTED

Typical Applications



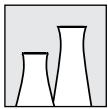
Fluctuating or over pressure



Petrochemical facilities



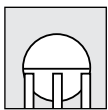
Tunnels



Power plants & transformers



Flammable materials storage



Gas storage tanks



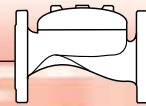
Hydraulic remote controlled systems

Features and Benefits

- **Pressure control function** – Constant preset downstream pressure
- **Remote reset** – Shut-off on remote command
- **One-piece molded elastomeric moving part** – No maintenance required
- **Simple design** – Cost effective
- **Obstacle-free full bore** – Uncompromising reliability
- **Factory pre-assembled trim** – Out-of-box quality
- **In-line serviceable** – Minimal down time

Optional Features

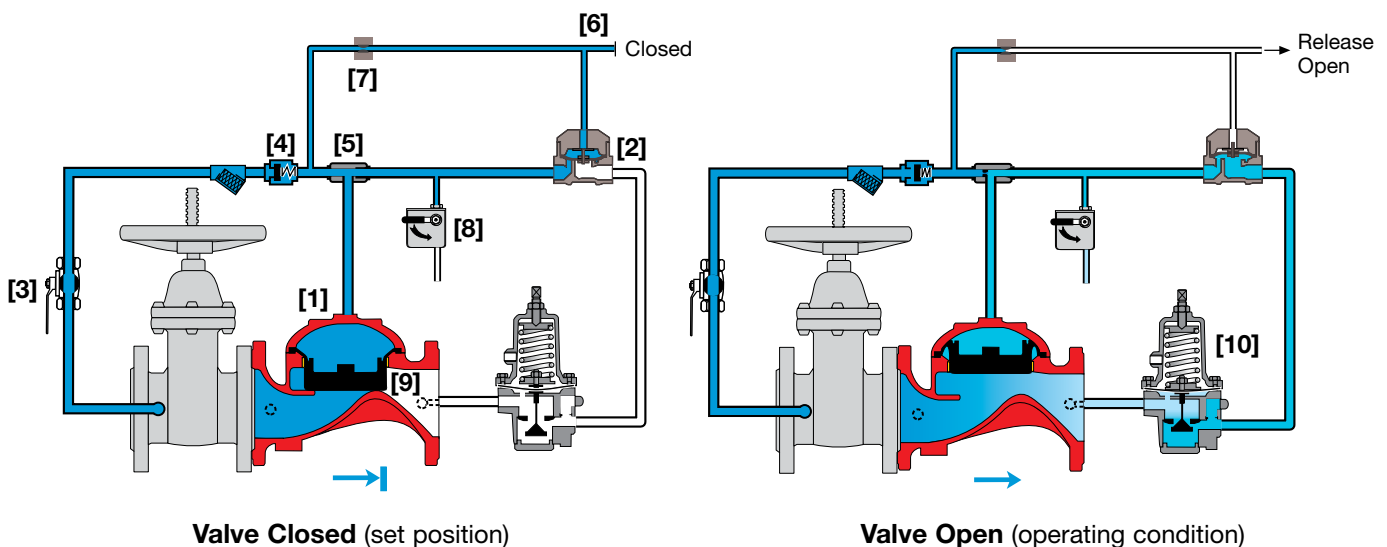
- **Water motor alarm**
- **Alarm pressure-switch** (code: P or P7)
- **Seawater service** (add FS as prefix to model)
- **Valve Position Single/Double Limit Switches**



Operation

The BERMAD Model FP 400E-5DC is suitable for systems that include wet pilot lines with closed fusible plugs (thermal releases), and piping systems with a wide variety of open nozzles. Providing boosted local pressure release from its control chamber, Model FP 400E-5DC is recommended for systems with remote and/or elevated fusible plug lines. Combining a pressure control feature, it is also suitable for systems with high pressure supply source and/or relatively low flow.

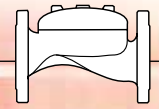
In the SET position the line-pressure, supplied to both the main valve control chamber [1] and to a Hydraulic Relay Valve (HRV) [2] via the priming line [3], and through a Check Valve [4], an Accelerator [5] with priming restriction, and the wet-pilot line [6] Restriction [7], is trapped by the Check Valve, by the closed HRV, and by a closed Manual Emergency Release [8]. The trapped pressure holds the main valve's diaphragm and plug against the valve seat [9], sealing it drip-tight and keeping the system piping dry. The HRV is held closed by the line pressure in the wet pilot line. Under FIRE condition, a pilot line hydraulic pressure drop opens the HRV. Pressure is then released from the main valve's control chamber to the downstream, through the open HRV and the Pressure Reducing (PR) Pilot valve [10]. This allows the main valve to open, and water to flow into the system piping and to the alarm device. Should system pressure rise above PR pilot setting, the PR pilot throttles, thereby enabling pressure to accumulate in the valve control chamber. This causes the FP 400E-5DC to throttle closed, decreasing system pressure to PR pilot setting. The Manual Emergency Release [8], overrides the PR pilot, causing the valve to open fully.



Engineer Specifications

- The On-Off deluge valve shall be a UL-Listed, hydraulically remote controlled elastomeric type globe valve with a **rolling-diaphragm**.
- The valve shall have an **unobstructed flow path**, with no stem guide or **supporting ribs**.
- Valve actuation shall be accomplished by a fully peripherally supported, one-piece balanced rolling-diaphragm, vulcanized with a rugged radial seal disk. The diaphragm assembly shall be the only moving part.
- The valve shall have removable cover for quick in-line service enabling all necessary inspection and servicing.
- The control trim materials shall consist of St.St. 316 tubing and fittings, and plated brass accessories, including Accelerator, HRV hydraulic actuated pilot valve, 2-Way Pressure Reducing Pilot, Y strainer and Manual Emergency Release.
- The control trim shall be supplied as an assembly, pre-assembled and hydraulically tested at an ISO 9000 and 9001 certified factory.
- The Pressure Control and Hydraulically Remote Controlled, On-Off Deluge Valve shall open and close in response to pilot line pressure drop, reducing higher upstream pressure to preset lower downstream pressure.

BERMAD Fire Protection

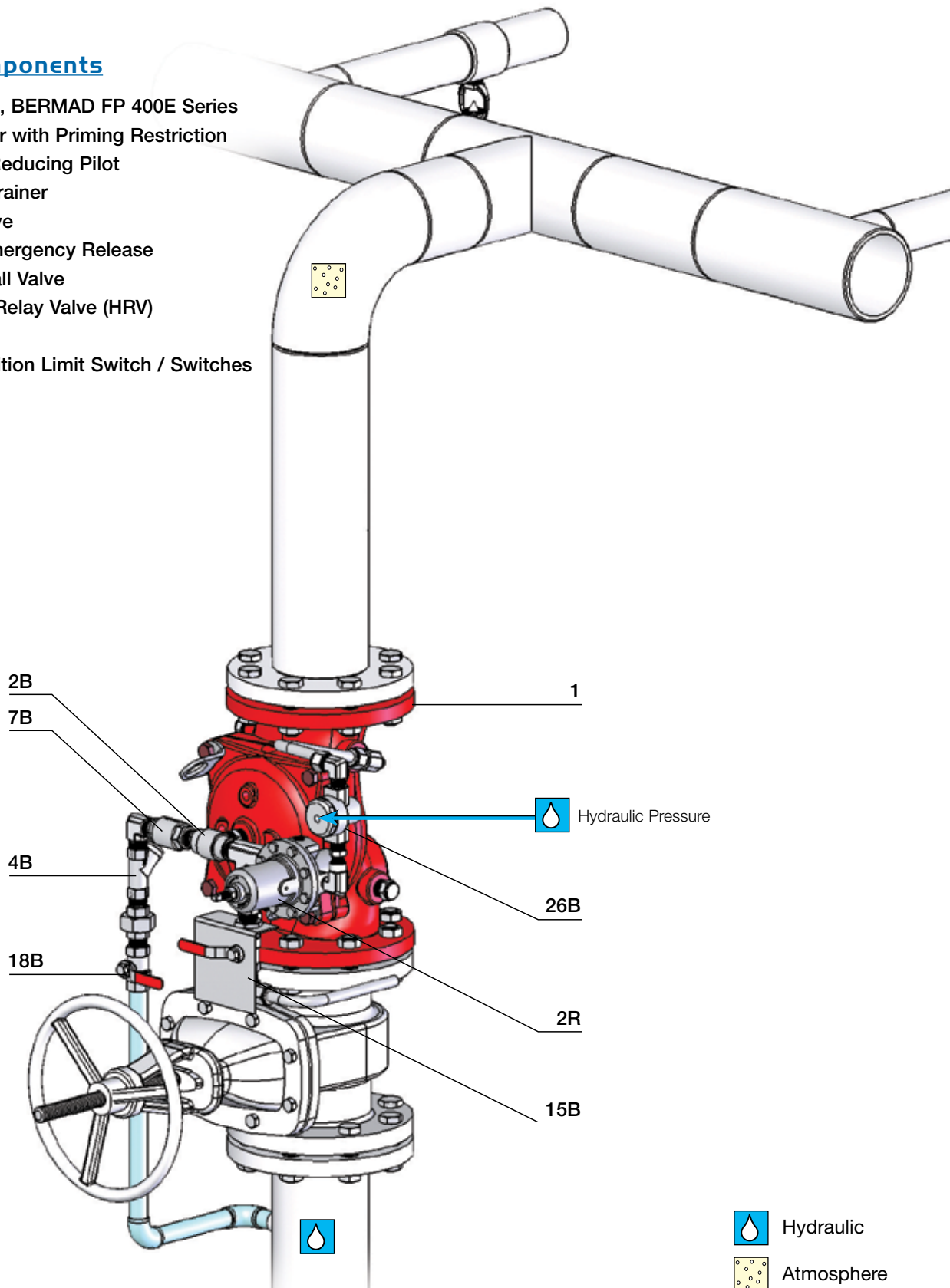


Model: FP 400E-5DC

400 Series

System Components

- 1 - Main Valve, BERMAD FP 400E Series
- 2B - Accelerator with Priming Restriction
- 2R - Pressure Reducing Pilot
- 4B - Priming Strainer
- 7B - Check Valve
- 15B - Manual Emergency Release
- 18B - Priming Ball Valve
- 26B - Hydraulic Relay Valve (HRV)
- Optional
- S - Valve Position Limit Switch / Switches

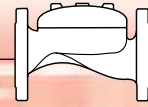


UL Listed

The BERMAD Model FP 400E-5DC is UL-Listed.

The installation shall include Indicating and Drain Components.

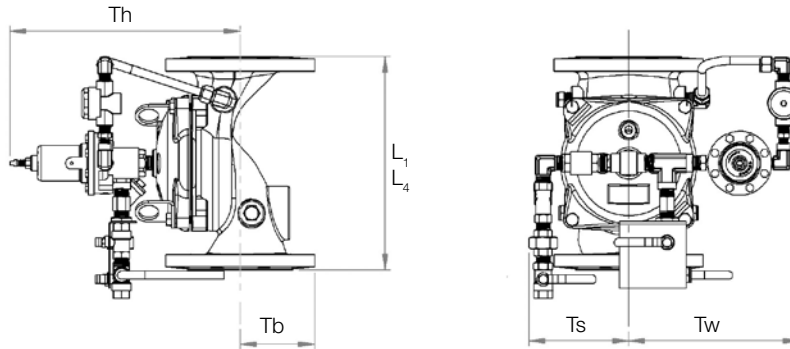
BERMAD Fire Protection



Model: FP 400E-5DC

400 Series

Technical Data



Size	1½", 2"		2½"		3"		4"		6"		8"		10"		12"		
	mm	inch	mm	inch	mm	inch	mm	inch	mm	inch	mm	inch	mm	inch	mm	inch	
Dimensions	L ₁ ⁽¹⁾	205	8 ¹ / ₁₆	205	8 ¹ / ₁₆	257	10 ¹ / ₈	320	12 ⁵ / ₈	415	16 ⁵ / ₁₆	500	19 ¹¹ / ₁₆	605	23 ¹³ / ₁₆	725	28 ⁹ / ₁₆
	L ₂ ⁽²⁾	205	8 ¹ / ₁₆	N/A	N/A	250	9 ¹³ / ₁₆	320	12 ⁵ / ₈	415	16 ⁵ / ₁₆	500	19 ¹¹ / ₁₆	N/A	N/A	N/A	N/A
	Tw	228	9	220	8 ¹¹ / ₁₆	243	9 ⁹ / ₁₆	253	10	312	12 ⁵ / ₁₆	326	12 ¹³ / ₁₆	346	13 ⁵ / ₈	391	15 ³ / ₈
	Ts	228	9	220	8 ¹¹ / ₁₆	243	9 ⁹ / ₁₆	253	10	318	12 ¹ / ₂	326	12 ¹³ / ₁₆	326	12 ¹³ / ₁₆	391	15 ³ / ₈
	Th	226	8 ⁷ / ₈	242	9 ¹ / ₂	262	10 ⁵ / ₁₆	261	10 ⁵ / ₁₆	356	14	407	16	407	16	546	21 ¹ / ₂
	Tb	278	10 ¹ / ₁₆	289	11 ³ / ₈	300	11 ¹³ / ₁₆	337	13 ¹ / ₄	378	14 ⁷ / ₈	405	15 ¹⁵ / ₁₆	413	16 ¹ / ₄	473	18 ⁵ / ₈

Notes:

- L₁ is for flanged ANSI #150 and ISO PN16.
- L₂ is for grooved end connections (Ductile Iron Only).
- Provide adequate space around valve for maintenance.
- Data is for envelope dimensions, specific component positioning may vary.

Connection Standard

- Flanged: ANSI B16.42 (Ductile Iron), B16.5 (Steel & Stainless Steel), B16.24 (Bronze) or ISO PN16
- Grooved: ANSI/AWWA C606 for 2, 3, 4, 6 & 8"

Water Temperature

- 0.5 – 50°C (33 – 122°F)

Available Sizes

- 1½, 2, 2½, 3, 4, 6, 8, 10 & 12"
- UL-Listed for sizes 1½, 2, 2½, 3, 4, 6, 8 & 10"

Pressure Rating

- Max. inlet: 250 psi (17 bar)
- Set: 30-165 psi (4.5-11.5 bar)

Manufacturers Standard Materials

Main valve body and cover

- Ductile Iron ASTM A-536

Main valve internals

- Stainless Steel 304 & Cast Iron

Control Trim System

- Brass control components/accessories
- Forged Brass pressure reducing pilot with St. St. 304 internals & NBR elastomers

- Stainless Steel 316 tubing & fittings

Elastomers

- Nylon fabric reinforced polyisoprene NR

Coating

- Electrostatic Powder Coating Polyester, Red (RAL 3002)

Optional Materials

Main valve body

- Carbon Steel ASTM A-216 WCB
- Stainless Steel 316
- Ni-Al-Bronze ASTM B-148

Control Trim

- Stainless Steel 316
- Monel® and Ni-Al-Bronze
- Hastalloy C-276

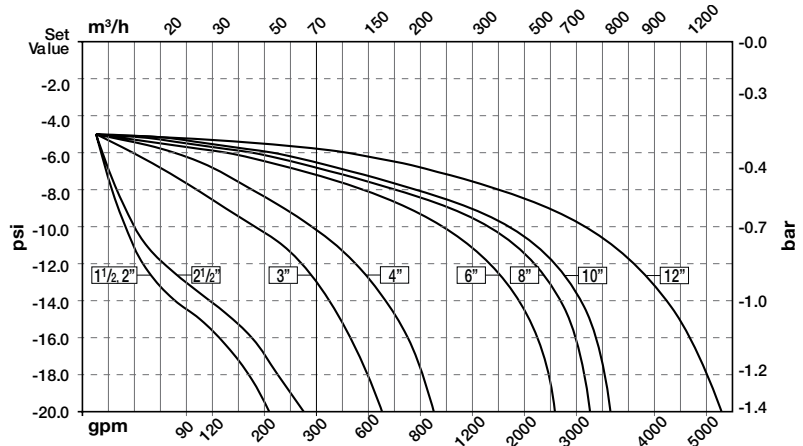
Elastomers

- NBR
- EPDM

Coating

- High Build Epoxy Fusion-Bonded with UV Protection, Anti-Corrosion

Valve Outlet Pressure Fall-off Characteristics
On Inlet Under Set Pressure





Trädgårdsteknik AB
Helsingborgsvägen 578
262 96 ÄNGELHOLM
Telefon: 0431-222 90
Telefax: 0431-222 70
info@tradgardsteknik.se
www.tradgardsteknik.se
