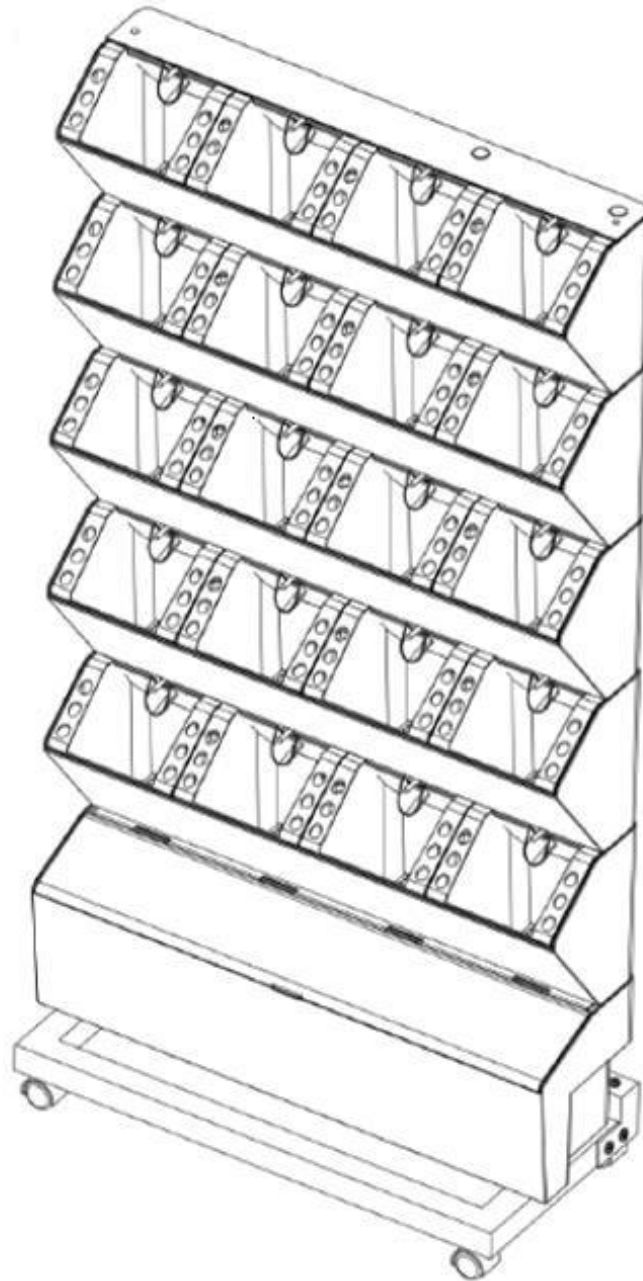




# Intelligent Vertical Garden

(Connected with Internet & wifi Automatically Water Dripping)



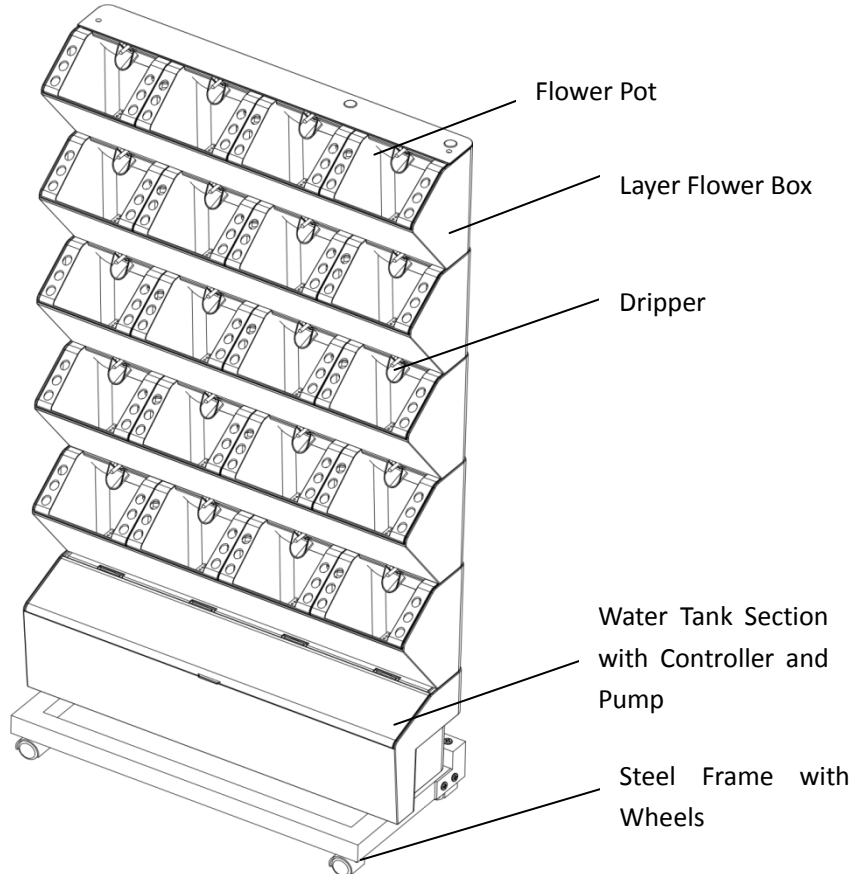
## Key Specifications:

Power Adaptor: Input Voltage AC100-240V, 50HZ, Output: DC12 V, Current: 3A



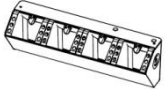

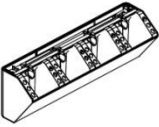
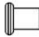
Pump: Membrane Type, Work Current lower 1A, Water Pressure no more than 2.5 bars, Flow rate 40 LPH

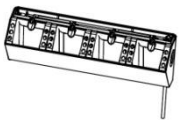



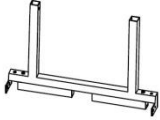

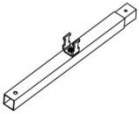

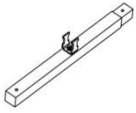
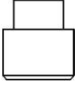

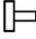

Drippers: 4 Options from 2, 4, 6, 8 LPH.

Full Product Image



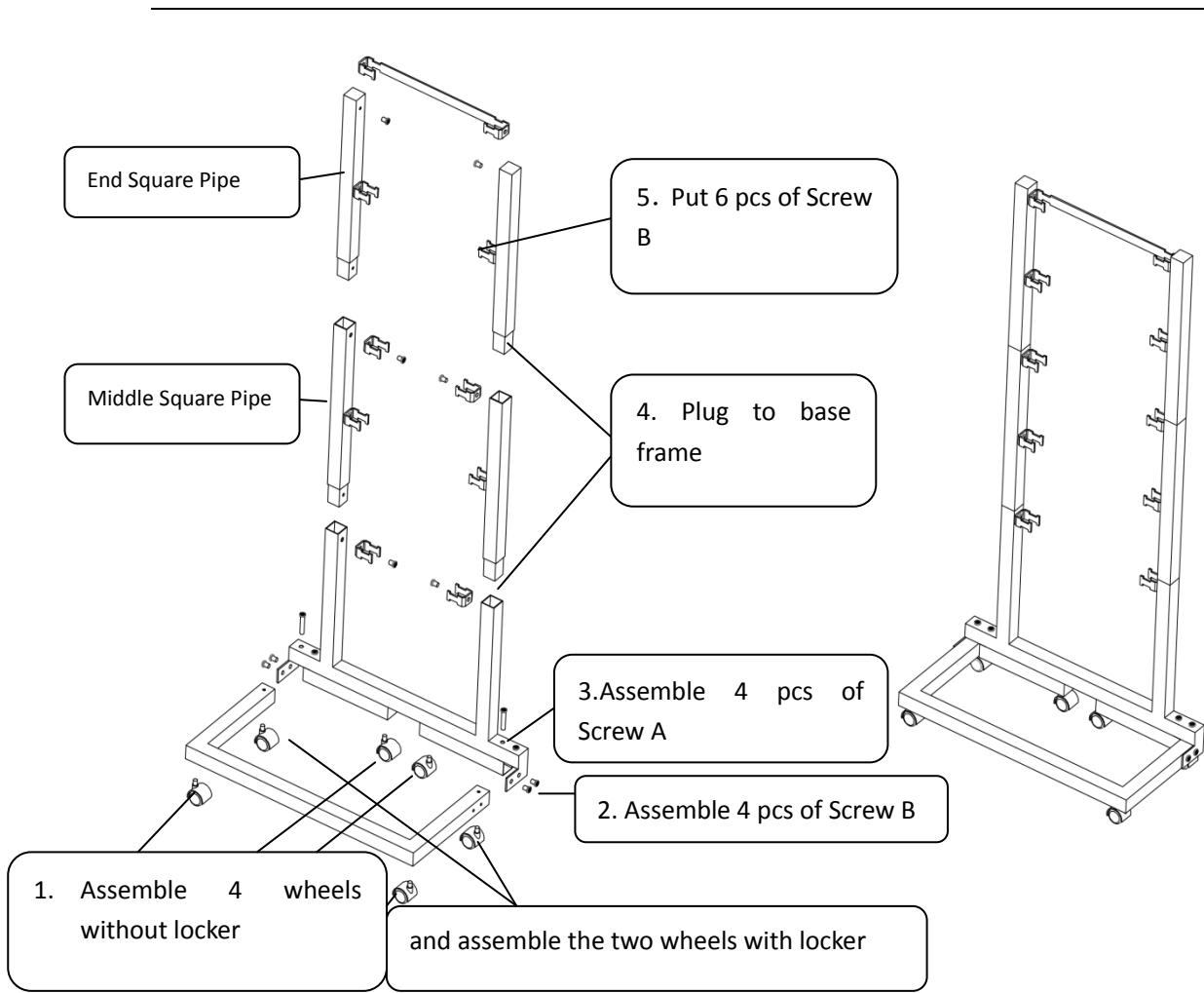
## Part List

S/N	Part Image	Name	Qty./Set	S/N	Part Image	Name	Qty/Set
1		Water Tank Section	1	11		U Shape Clamp Block	4
2		Top Layer of Flower box	1	12		Screw A	2
3		Middle Layer of Flower Box	3	13		Screw B	10

4		Bottom Layer of Flower Box	1		14		Wheels without locker	6
5		Power Adaptor	1		15		Wheels with Locker	2
6		U Shape Frame	1		16		Allen Wrench	1
7		Square Connecting pipe	2		17		Exotic Wrench	1
8		End connection pipe	2		18		Seal	4
9		Hanger Pole	1		19		Magnet Buckle	2
10		Front Feet Frame	1					

### Assemble Procedures

- 1】 Before Assembly started, check if all spare parts are fully included, according to Structure Diagram.
- 2】 Follow the steps in Figure 1-5 to assemble the rack as shown in the figure on the left

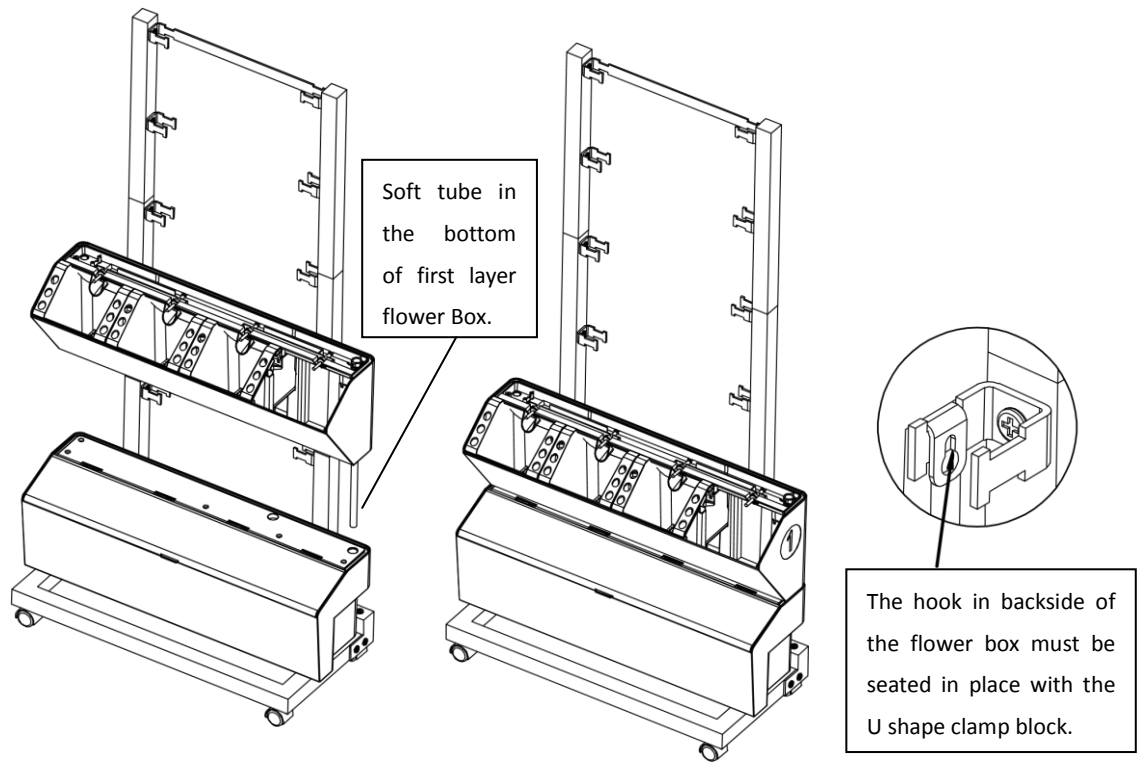


Before installation

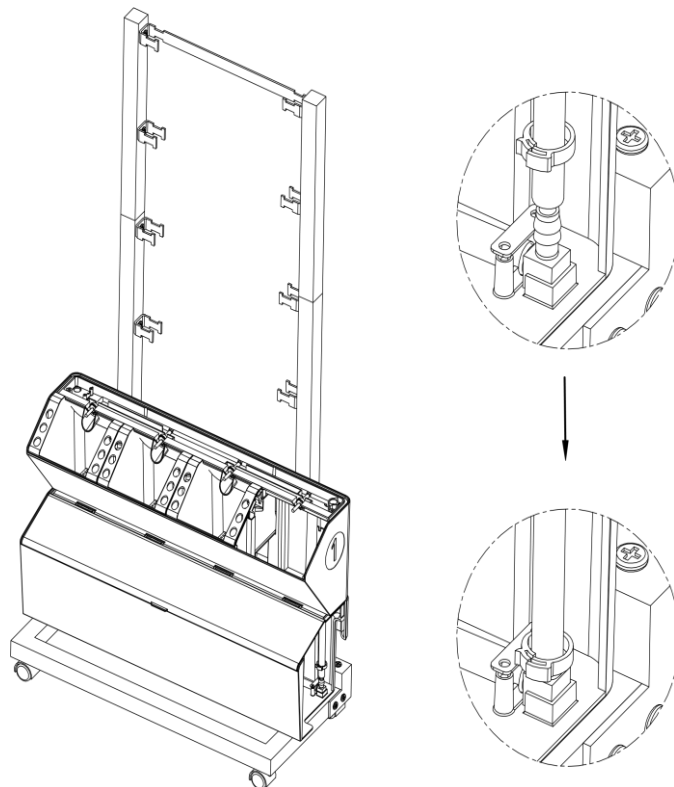
After installation

**3】 Assemble the flower boxes**

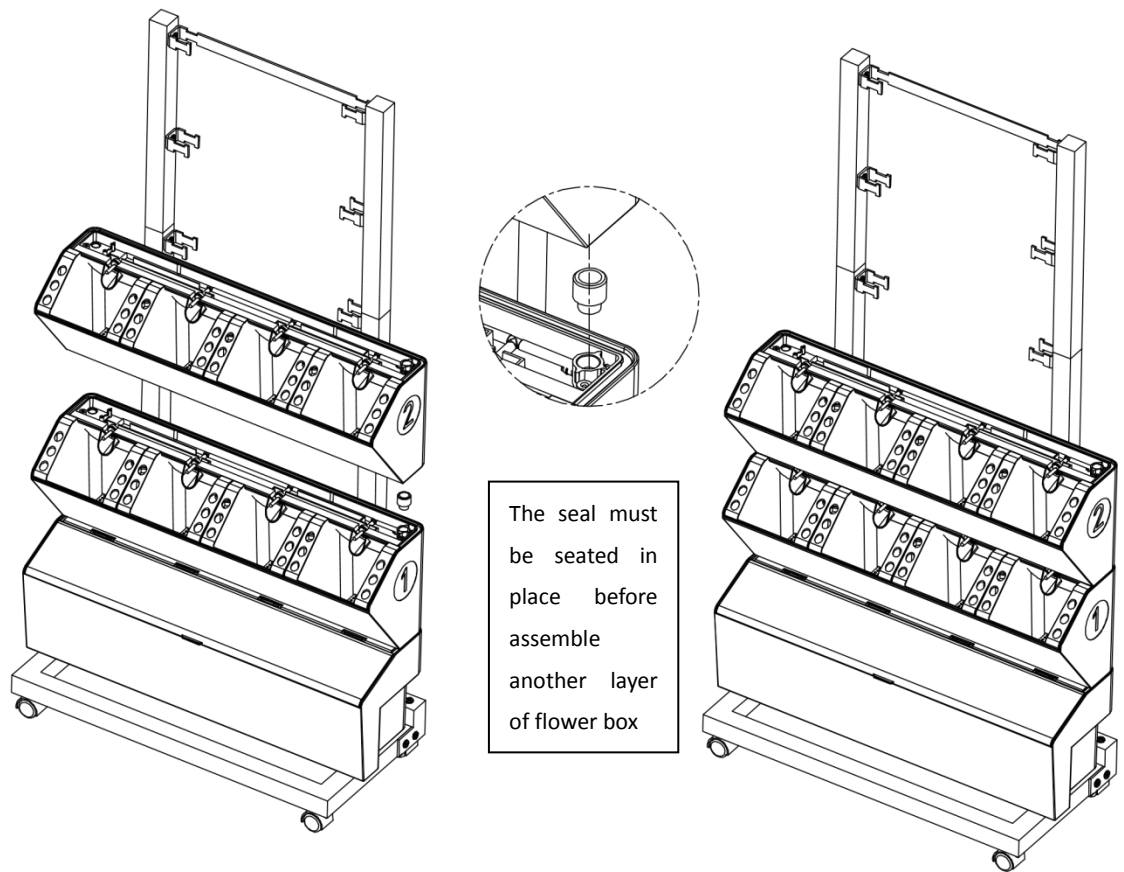
- 1) Firstly, place the Water Tank Section on the bottom
- 2) Then put the first layer of flower box as shown. Be sure that the backside of the hooks put in place.



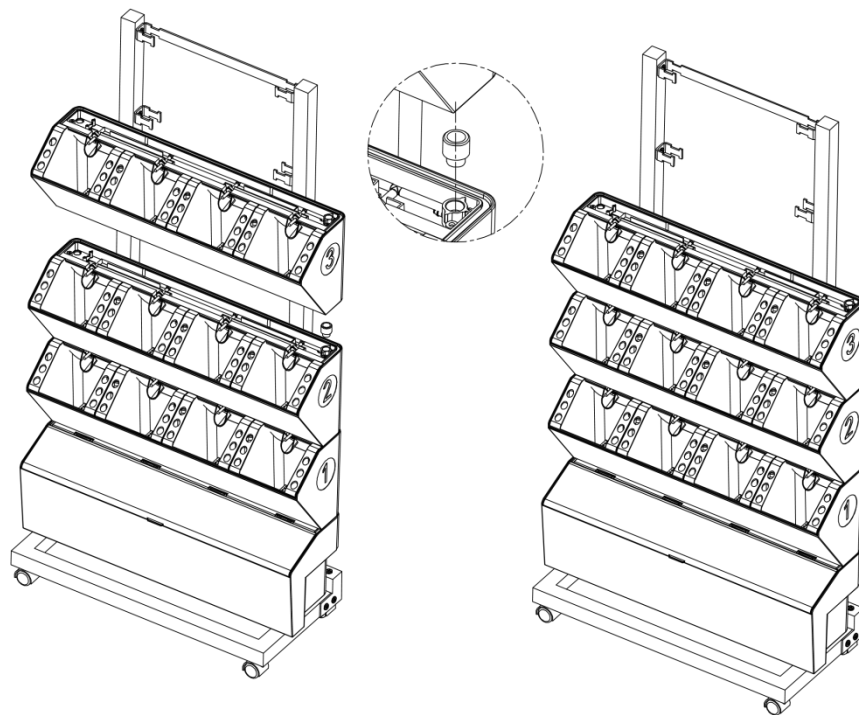
Connect the water pipe of the flower box with bottom water tank section, and make sure buckle fastened.



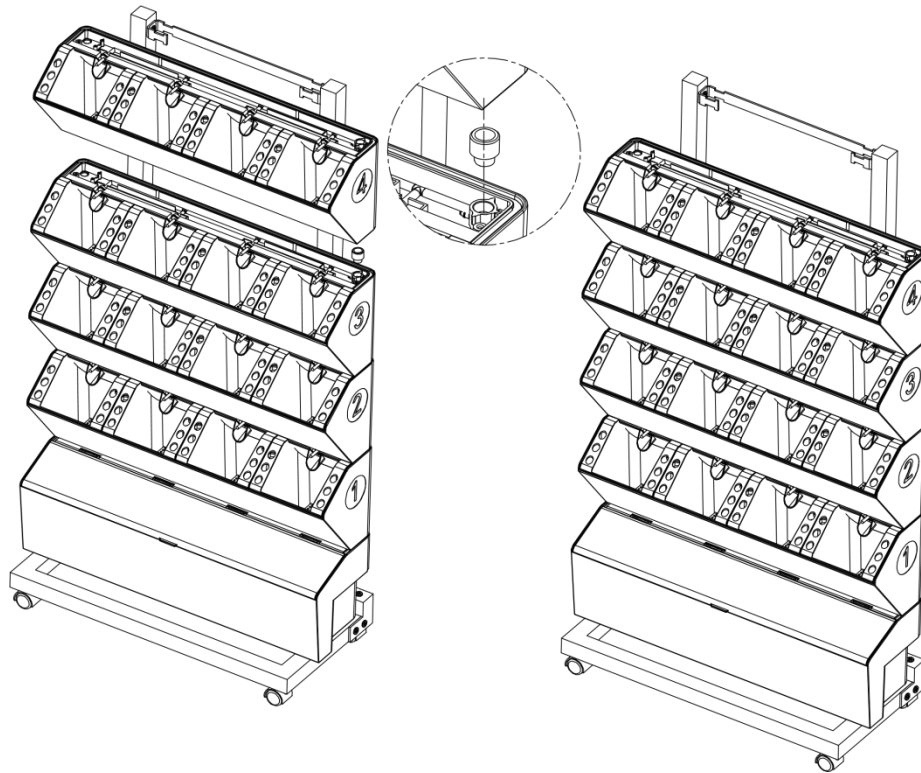
- 3) Install second layer of the flower box as shown in the figure (be sure the seal is put at right position).



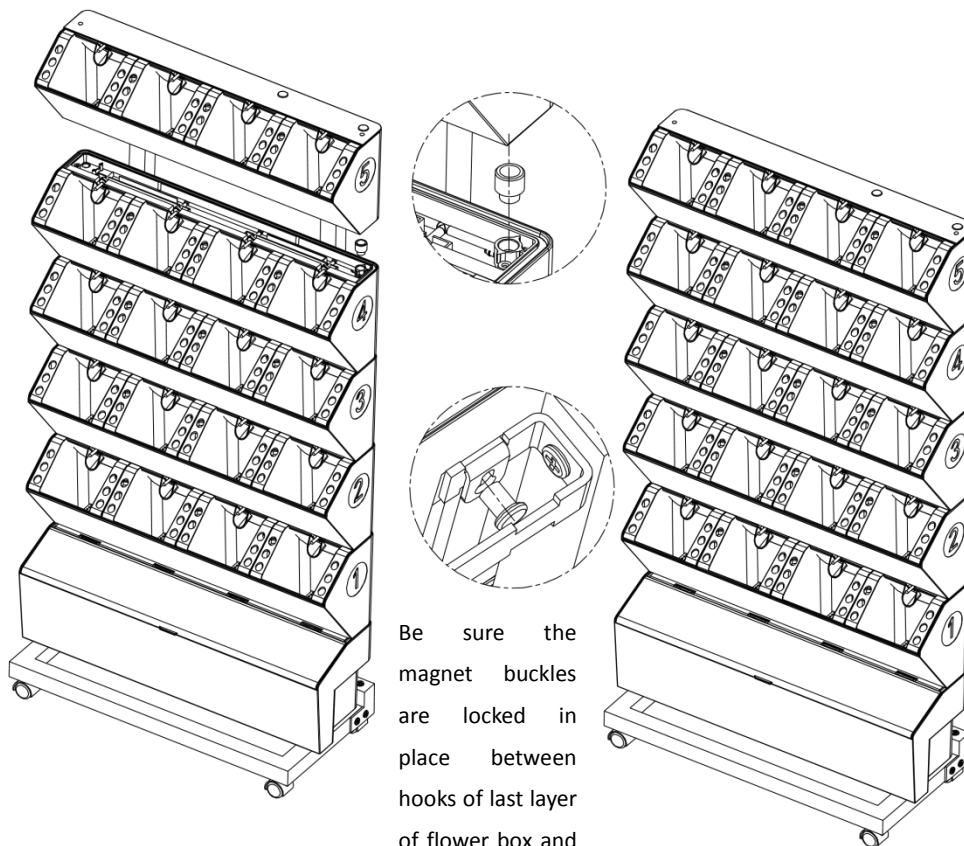
4) Install the 3rd layer of the flower box as shown in the figure.



5) Install the 4th layer of the flower box as shown in the figure.



- 6) Install the 5th layer of the flower box, and put two end plugs into the holes as shown in the figure.

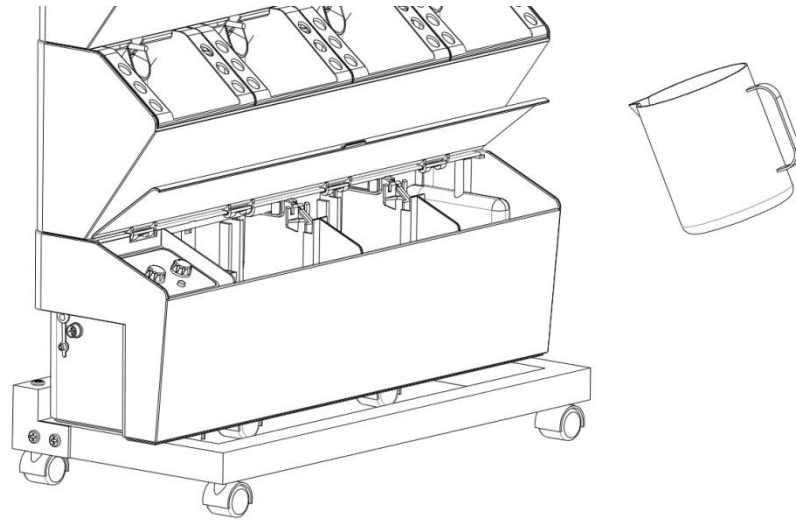


Be sure the magnet buckles are locked in place between hooks of last layer of flower box and U shape clamp box.

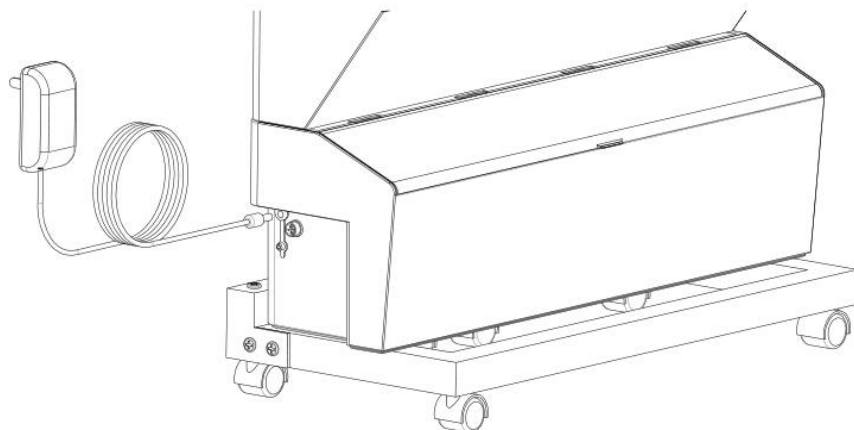
---

#### 4】 How to use Vertical Garden Flower Boxes

- 1) Pour water into the tank as shown



- 2) Insert the Power Plug



- 3) Panel Settings as Shown





---

The left knob to set up interval from 0 to 20 days and for Wifi Mode option choosing as well. The right knob respectively refers to 2.5-11 minutes of watering time.

Manual setting For example: the interval knob is set to 1 day, the watering time knob is set at 2.5 minutes, indicating that the controller is watered for 2.5 minutes per day.



**Trädgårdsteknik AB**

Helsingborgsvägen Varalöv

262 96 Ängelholm

Tel: 0431-22290

Fax: 0431-22270

Mail: [info@tradgardsteknik.se](mailto:info@tradgardsteknik.se)

Webb: [www.tradgardsteknik.se](http://www.tradgardsteknik.se)